

Installation Instructions

**Freedom Series - 4dr Slider Steps
2021 – Current Ford Bronco**



Where **STRENGTH** Meets *Style!*™

SAFETY

THE SAFETY OF YOU AND OTHERS IS VERY IMPORTANT TO US!

In order to minimize this risk and make an informed decision about safety, it is important that you carefully read and follow the installation instructions we have provided.

We urge you to use your own good judgment and allow plenty of time for install.

HAZARD CHECKLIST

- Always wear personal protective equipment (PPE) such as: protective eye wear, gloves, close toed shoes, etc.
- We recommend that you use a certified mechanic or shop for professional installation.
- Always set emergency brakes on vehicle and use tire blocks to ensure vehicle stabilization.
- Use caution when lifting, we recommend the use of equipment to help lift bumpers into place.
- Use caution when using power tools such as air ratchet, etc.
- Take caution when installing wiring.
- Perform regular inspections of hardware, bolts, brackets, etc.
- Rigid light brackets are specifically designed to fit Rigid lights, we do not guarantee off brand fitment.
- Our winch mount is designed for Warn and Superwinch products. We do not guarantee off brand fitment.

USE & RISK

Bodyguard Products LLC is not responsible for damage to our products, or other subsequent damage that might occur, as a result of misuse or improper installation. While we do manufacture products that appear stronger than factory parts, our products should not be viewed or relied upon as life-saving devices in the event of a collision or rollover. We make no claims relating to airbag compatibility, crashworthiness, or sturdiness. It is the customer's responsibility to check with the vehicle manufacturer or auto dealer regarding airbag compatibility and automobile manufacturer's warranty before installing our products.

PREPARATION

- Ensure personal safety by checking for hazards and identifying risks.
- Check for correct hardware.
- Check for tools needed.
- Use either foam or tape on fenders to prevent scratches to the truck when installing your bumper.
- Please allow approximately 2-3 hours for installation.

Installation Instructions

Freedom Series - 4dr Slider Steps 2021 – Current Ford Bronco

PARTS LIST

DO NOT SUBSTITUTE OR USE ANY OTHER HARDWARE.

- Included with this product should be HARDWARE KIT:

21+ Ford Bronco 4 Door Sliders		
HK-4DS-21B	4 Door Sliders 21+ Ford Bronco	Qty
	5/16"-18 x 1" Zinc Grade 5 Hex Bolt	12
	5/16", Washer	12
	5/16"-18 Clip Nut	12
	1/4" -20 x 3/4" Long, Stainless Steel SBHCS	32
	1/4-20 (.093-.126: Panel Range) Zinc Electroplate Spring Steel Cage Nut	32
	3/8"-16 x 1-1/2" Yellow Zinc Grade 8 Hex Bolt	12
	3/8"-16 Zinc Grade 8 Serrated Hex Flange Nut	12
	3/8" Yellow Zinc Grade 8 Flat Washer	12

SLIDER STEP INSTALL

- Remove any existing slider or step if applicable. Then install the body mounts in their respective locations using only one upper bolt on each. This bolt will be a reused OEM bolt from that mounting point. There are 3 mounts: Front, Middle, and Rear.

Front



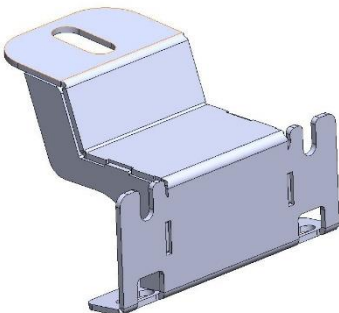
Middle



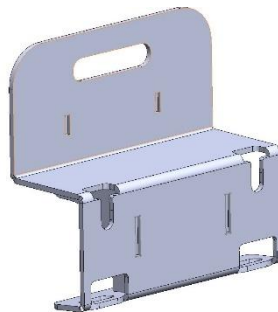
Rear



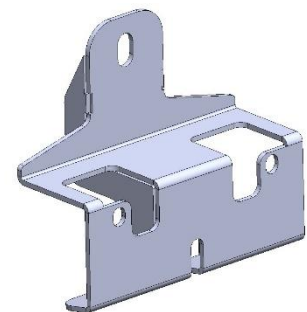
Front



Middle



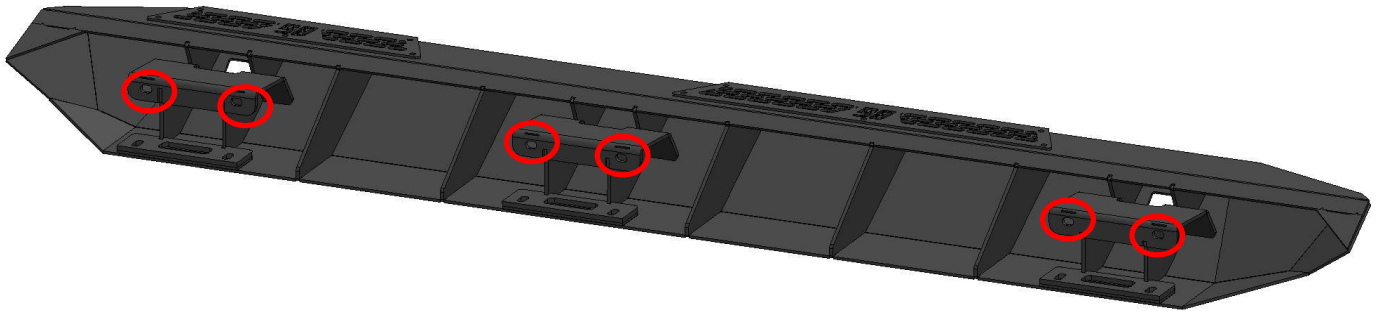
Rear



Installation Instructions

Freedom Series - 4dr Slider Steps 2021 – Current Ford Bronco

2. Now install the 5/16" clip nut onto the slider mounts. Be sure to align the clip nut centered in the slot.



3. Bring the slider up to the pinch welds and bolt the 5/16" bolts through the body mount, pinch weld, and into the clip nut on the slider.



4. Then use the 3/8" hardware to mount the bottom of the slider to the bottom of the body mounts. Make sure all mounts and hardware are fully secured.





Installation Instructions

Freedom Series - 4dr Slider Steps 2021 – Current Ford Bronco

FINISHING UP

- Install shackles.
- Check tailgate clearance by slowly lowering tailgate. Making sure it doesn't come in contact with the bumper
- Confirm that all hardware is tightened and everything is secure.
- Secure wiring harnesses for lights and sensors.
- Test all lighting and wiring before using vehicle (fog lights, sensors, etc.).

MAINTENANCE

- Frequently check that all hardware is tightened and that all wiring and connections are secure.

FEEDBACK

We'd love to hear from you! Please send your pictures, testimonials, comments, or suggestions to us by email at info@bodyguardbumpers.com. We frequently use customer pictures for brochures and marketing materials, and we always welcome customer feedback to ensure quality improvements within our company. Thanks for your purchase; we appreciate your business very much!

Where **STRENGTH** Meets *Style!*™