

BEDRUG *Inc.*

BEDRUG® TAILGATE MAT INSTALLATION INSTRUCTIONS

TOYOTA TACOMA

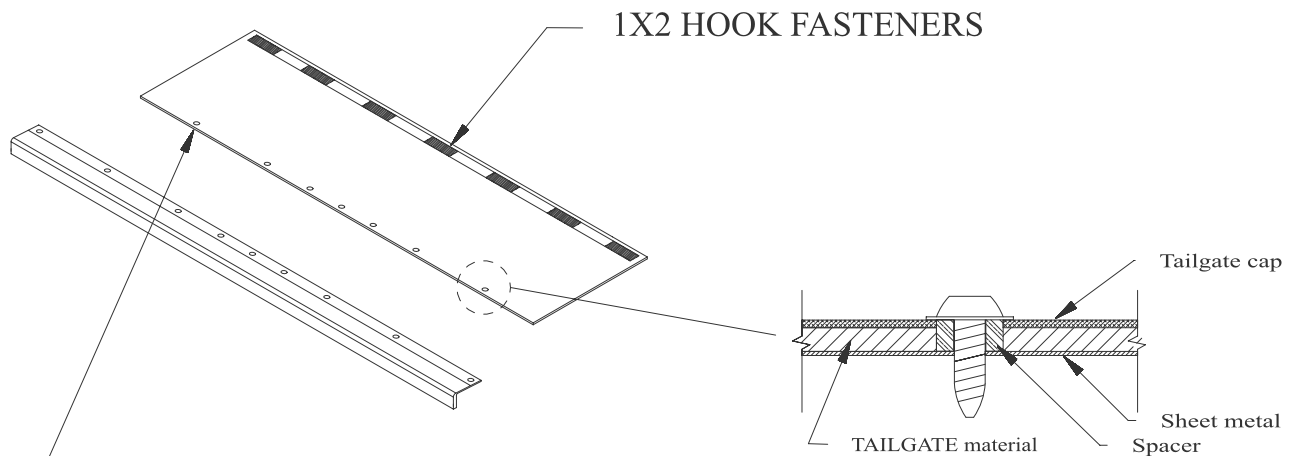
WARNING: IMPROPER INSTALLATION WILL RESULT IN TAILGATE FLYING OUT OF THE TRUCK! FOLLOW INSTRUCTIONS EXACTLY!

APPROXIMATE INITIAL INSTALLATION TIME LESS THAN 10 MINUTES

1. Loop fastener is sewn to the tailgate Mat. Attach the hook fasteners that have a self-adhesive backing to the loop fastener. (7) hook fasteners are included in the kit.
2. Remove the screws from the from the tailgate cap. **DO NOT REMOVE THE CAP.** Slide the top of the tailgate mat up under the edge of the tailgate cap.
3. Adjust the tailgate mat so that the holes in the mat align with holes in the the tailgate cap. Install the screws in the tailgate cap using the spacers provided (See illustration below).
Note: The spacers are provided so that the screws can be tightened securely and the cap surface will remain flat.
4. Roll the bottom of the tailgate up exposing the area where the hook fasteners are to be adhered.
5. Using a cloth, soap and water, clean and dry this area thoroughly removing all dirt and debris. With a separate cloth, clean the area again with alcohol.
6. Remove the protective liner exposing the adhesive and lay the tailgate Mat down and **FIRMLY** rub the fastener down **VERY AGGRESSIVELY** to assure full engagement of the fastener and the adhesive.

NOTE: TAILGATE SURFACE TEMPERATURE SHOULD BE 68° F OR HIGHER IN ORDER FOR THE HOOK FASTENER TO ACHIEVE MAXIMUM ADHESION. ALSO, NEVER CONTAMINATE THE ADHESIVE BY TOUCHING IT WITH YOUR FINGERS.

FASTENER LOCATIONS



Remove screws in tailgate cap.
DO NOT REMOVE CAP FROM TRUCK. Top of tailgate material fits under lower edge of cap.

EXPLODED VIEW
(After installation)

BEDRUG[®] CLEANING INFORMATION

The mildew resistant BedRug foam will not absorb liquids. The engineered polypropylene fiber top surface resists stains and deterioration from most acids, chemicals, gas and oils, etc. Therefore, by following the cleaning instructions below, your BedRug will remain serviceable for as long as you own your truck.

Cleaning your BedRug is easy:

1. A vacuum, broom, brush or compressed air can be used to remove dirt, grime, sand, mulch etc. Due to the fact that water will not harm the BedRug, pressure washing is also an effective way to clean a soiled BedRug.
2. Although most acids will not harm the BedRug, baking soda should be applied immediately to neutralize the acid to ensure the safety of the paint on the truck.
3. To clean tougher jobs such as gasoline, oil, chemicals, acid spills or leaks from your BedRug use detergent soap with degreaser and water, then rinse thoroughly. This detergent soap is used in most car wash locations with pressure washing equipment. The BedRug polypropylene closed-cell foam will not absorb water and the polypropylene fiber dries in minutes.

If you have additional questions, call BedRug Inc. customer service at 800-462-8435.

Retain this cleaning information with your vehicle owner's manual for future reference.

LIMITED WARRANTY

BedRug Inc. warrants BedRug[®], BedTred[™], VanRug[™], and VanTred[™], for pickup trucks and vans to be free from defects in materials and workmanship. BedRug Bedliners will be warranted for the duration of the vehicle ownership by the original BedRug purchaser. The terms of this warranty may vary from state to state. You may have rights under specific state laws that differ from the terms of this warranty. Proof of purchase will be required for warranty service. Customer modifications and/or improper return packaging of the product may void this warranty. Product should be cleaned before return. For warranty instructions, returns and packaging contact BedRug Inc. Customer Service at 800-462-8435. Labor and shipping are not covered under the terms of this agreement.

**Retain this warranty information with your vehicle owner's manual for future reference
FOR WARRANTY SERVICE CALL 1-800-462-8435**

PRODUCT REGISTRATION

Thank you for purchasing your BedRug product! We would appreciate it if you would take a few minutes to register your purchase. Registration allows us to provide, with your permission, important updates, service information, helpful hints or warranty service should you ever require technical support. BedRug offers the option of returning product registration forms electronically, rather than having to fill them out by hand. You can be assured that BedRug does not share or sell the information you provide. Save a copy of your sales receipt. Activate your warranty by registering your product online at <http://www.bedrug.com/customer-service/product-registration.html> or by scanning the QR code. You will need the 6-digit lot and date code found on the underside of the tailgate, see example.



PN TGC07
DESC 07+ GMT900 TAILGATE
WO#511247 LOT # 123456
DATE: 04/13/12 TR# S1E123
MADE IN USA