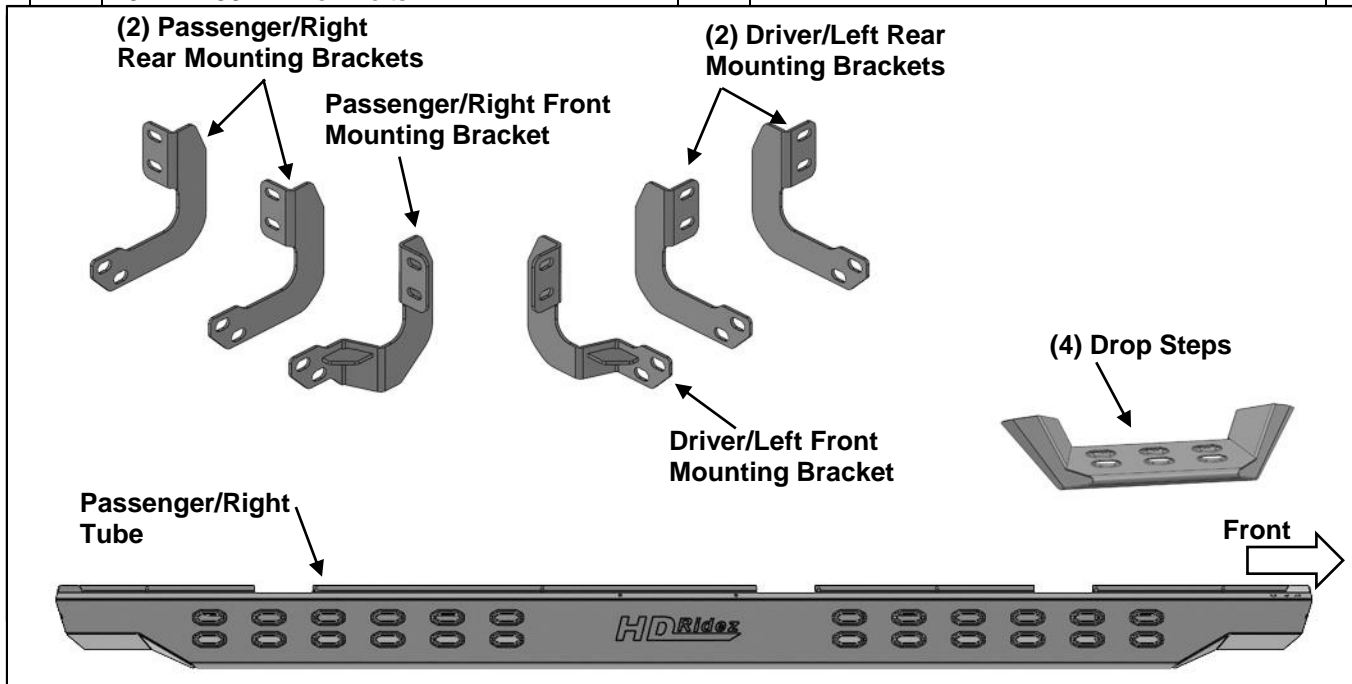


**PARTS LIST:**

1	Driver/Left Tube	24	10mm x 20mm OD x 2mm Flat Washers
1	Passenger/Right Tube	12	10mm Nylon Lock Nuts
4	Drop Steps	8	8mm Triangle Double Bolt Plates
1	Driver/Left Front Mounting Bracket	12	8mm x 24mm OD x 2mm Flat Washers
1	Passenger/Right Front Mounting Bracket	16	8mm x 22mm OD x 2mm Flat Washers
2	Driver/Left Rear Mounting Brackets	16	8mm Nylon Lock Nuts
2	Passenger/Right Rear Mounting Brackets	12	8mm Serrated Flange Nuts
12	10mm x 30mm Hex Bolts		

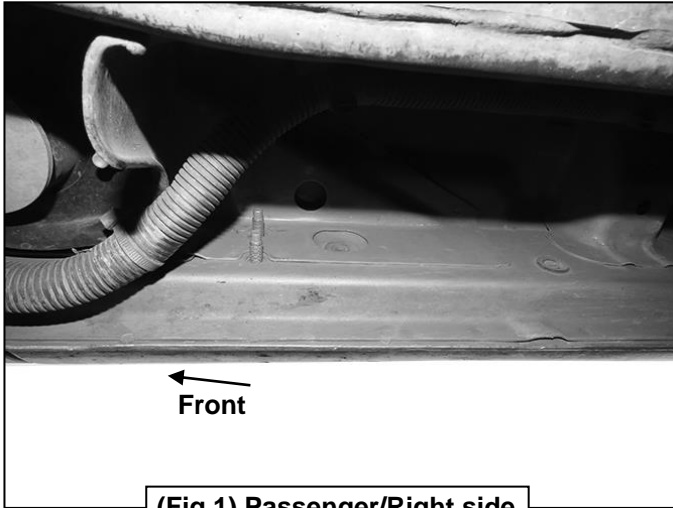


**PROCEDURE:**

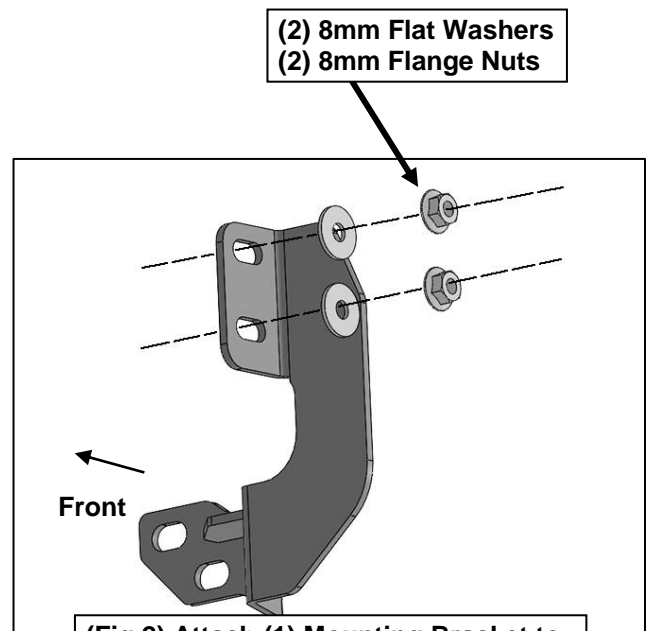
- 1. REMOVE CONTENTS FROM BOX. VERIFY ALL PARTS ARE PRESENT. READ INSTRUCTIONS CAREFULLY. CLEAN MOUNTING STUDS WITH WIRE BRUSH TO REMOVE PAINT AND DEBRIS.**
- Starting on the Passenger/Right front of the vehicle, **(Figure 1)**. Attach (1) Mounting Bracket to the front location with (2) 8mm Flat Washers and (2) 8mm Flange Nuts, **(Figure 2)**. Do not tighten hardware.
- Repeat **Step 2** to attach (2) Mounting Brackets to the Passenger/Right center and rear locations, **(Figure 3)**.
- Select the Passenger/Right Tube. Insert (2) 8mm Triangle Double Bolt Plates into the front (2) sets of (2) holes, **(Figure 4)**. Attach (1) Drop Step to the (2) Double Bolt Plates with (4) 8mm x 22mm Flat Washers and (4) 8mm Nylon Lock Nuts, **(Figure 5)**. Do not tighten hardware.
- With assistance, line up the mounting tabs in the Passenger/Right Tube to the rear faces of the Mounting Brackets. Secure the Tube to the Mounting Brackets with (6) 10mm Hex Bolts, (12) 10mm x 20mm Flat Washers and (6) 10mm Nylon Lock Nuts, **(Figure 6)**. Do not tighten hardware.
- Level and adjust the Overland Step, then tighten all hardware.
- Repeat **Steps 1—6** to attach the Driver/Left Overland Step.
- Do periodic inspections to the installation to make sure that all hardware is secure and tight.

**To protect your investment,** Do not use any type of polish or wax that may contain abrasives that could damage the finish. Mild soap may be used to clean the Overland Sliders.

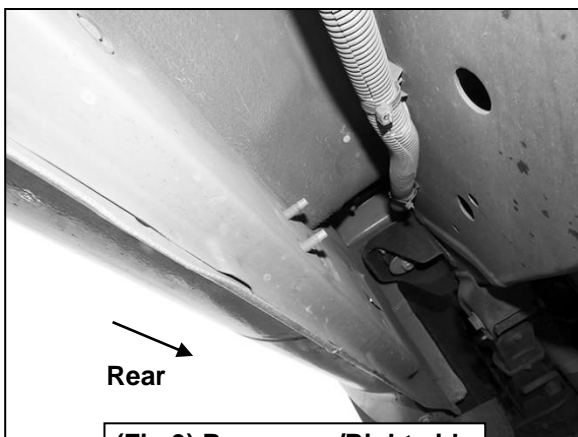
### Passenger/Right Side Installation Pictured



(Fig 1) Passenger/Right side front mounting location

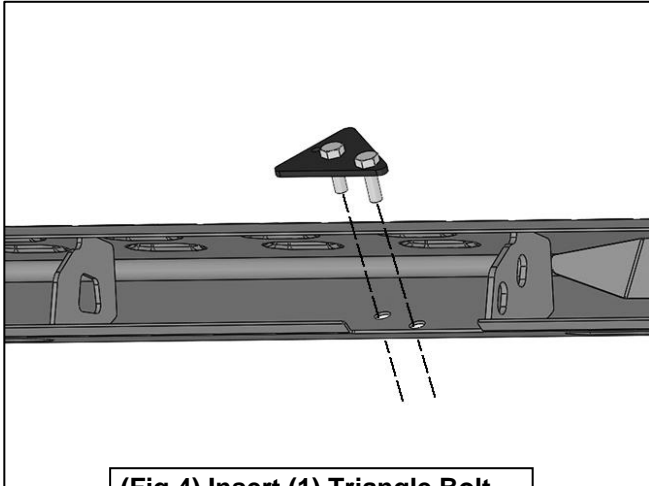


(Fig 2) Attach (1) Mounting Bracket to the Passenger/Right front location



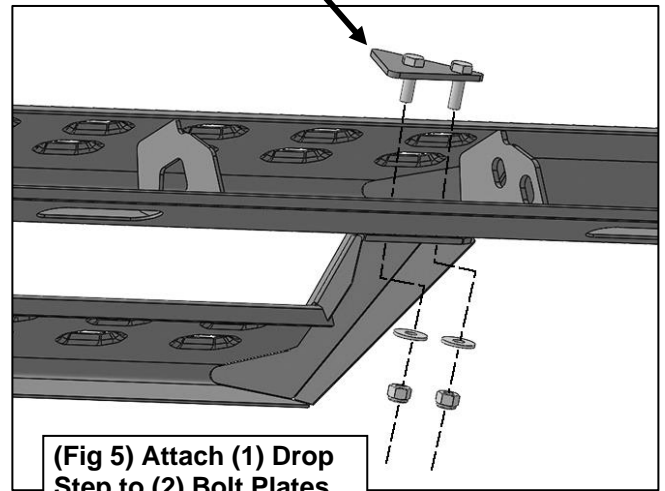
(Fig 3) Passenger/Right side rear mounting location

### Passenger/Right Side Installation Pictured

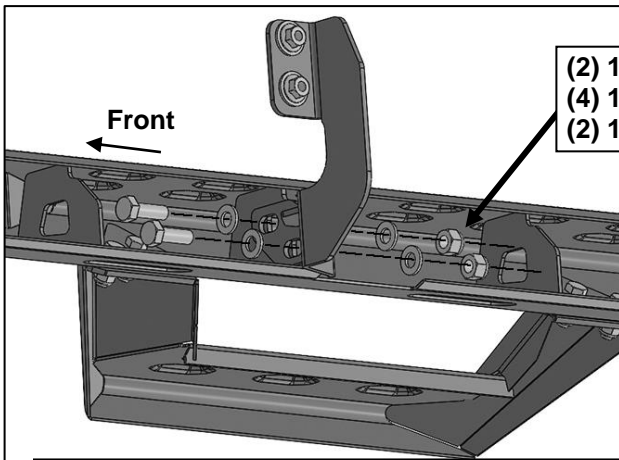


**(Fig 4) Insert (1) Triangle Bolt Plate into the holes in the Tube**

- 8mm Bolt Plate
- (2) 8mm x 22mm Flat Washers
- (2) 8mm Nylon Lock Nuts



**(Fig 5) Attach (1) Drop Step to (2) Bolt Plates**



- (2) 10mm Hex Bolts
- (4) 10mm Flat Washers
- (2) 10mm Nylon Lock Nuts

**(Fig 6) Attach the Passenger/Right Overland Slider to the (3) Mounting Brackets**