



ARMORDILLO Products are designed as decorative accessories and should not be relied upon as protection for the vehicle or passengers. Buyers assume all risk and liability whatsoever resulting from installation and use of products. We assume no liability for injury, loss, incidental or consequential damages in the event of an accident.

ARMORDILLO guarantees the original purchaser a LIMITED 3-YEAR WARRANTY from date of purchase against manufactured defects in materials, workmanship and finish under normal use. This excludes damage resulting from road hazards, debris, product misuse, improper installation, impairments from accidents, neglect, shipping or product modification. This warranty applies only to new products and is limited to the repair or replacement products. Warranty does not include cost of removal, installation, labor, freight, inconvenience, or consequential damage. Original purchaser must return defective merchandise to the original place of purchase and must provide the proof of purchase.

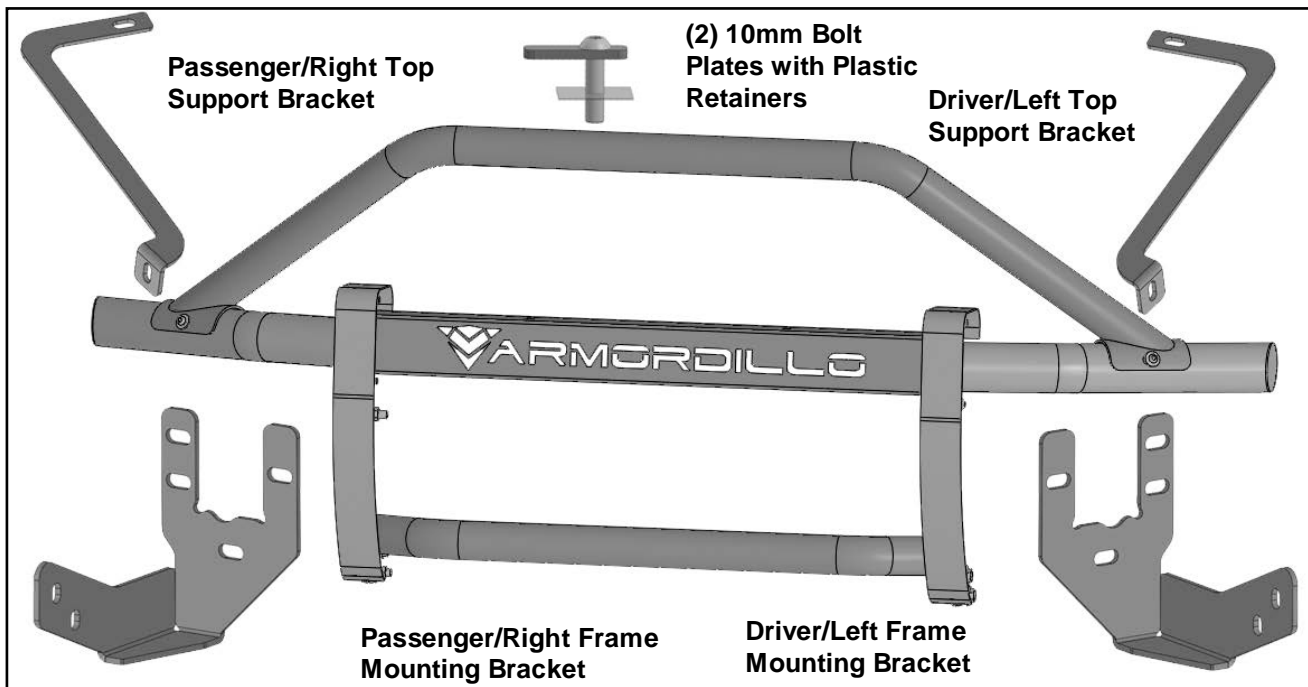
**WARNING:** When working on, under or around vehicle exercise caution. If working without a lift check vehicle owners manual for correct jacking points. Always wear safety glasses and ensure a safe working area. Serious injury or death could occur if safety measures are not followed.

ARMORDILLO RECOMMENDS PROFESSIONAL INSTALLATION ON ALL THEIR PRODUCTS STOP - Verify part and application is correct before proceeding. If missing part or damaged item please contact customer service directly via message system on the site you bought the item from.

**Call us at (909)895-4522 Monday-Friday 9am-6pm PST  
Email us At [SUPPORT@ARMORDILLOUSA.COM](mailto:SUPPORT@ARMORDILLOUSA.COM)**

**PARTS LIST:**

1	Rock Crawler Grille Guard Assembly	2	10mm Lock Washers
1	Driver/Left Frame Mounting Bracket	2	10mm Hex Nuts
1	Passenger/Right Frame Mounting Bracket	2	12mm x 120mm Hex Bolts
1	Driver/Left Top Support Bracket	8	12mm Lock Washers
1	Passenger/Right Top Support Bracket	8	12mm Hex Nuts
2	10mm x 30mm Bolt Plates	16	12mm x 32mm OD x 3mm Flat Washers
2	10mm Plastic Retainers	6	12-1.75mm x 45mm Hex Bolts
2	10mm x 27mm OD x 3mm Flat Washers		



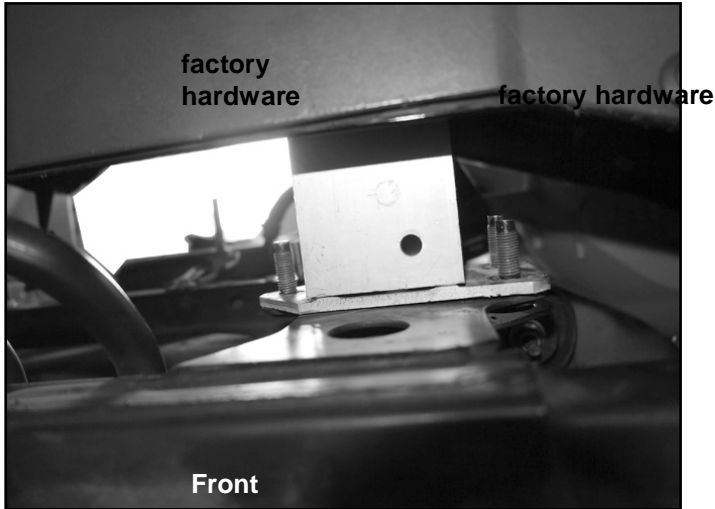
**PROCEDURE:**

1. **REMOVE CONTENTS FROM BOX. VERIFY ALL PARTS ARE PRESENT. READ INSTRUCTIONS CAREFULLY BEFORE STARTING INSTALLATION. ASSISTANCE IS RECOMMENDED.**
2. Starting on the driver side, remove the (3) factory nuts bolting the bumper bracket to the end of the frame channel, **(Figure 1)**. **NOTE:** It may be necessary to temporarily remove the factory tow hook from the driver side, **(Figure 2)**.
3. Line-up the (3) upper holes in the driver side Frame Mounting Bracket with the threaded studs in the end of the frame channel. Secure the Bracket to the studs using the existing nuts removed in **Step 2**, **(Figures 3—5)**. Insert (1) 12mm x 120mm Hex Bolt with (1) 12mm Flat Washer through the lower mounting hole in the bracket and into the end of the frame channel. Use the included (1) 12mm Flat Washer (1) 12mm Lock Washer and (1) 12mm Hex Nut to secure the Bracket to the lower mounting hole, **(Figures 3—5)**. Do not tighten hardware at this time.
4. Repeat **Steps 2—3** for passenger side Frame Mounting Bracket installation.
5. Open the hood on the vehicle and remove the plastic cover between the top of the radiator and the grille. Locate the steel cross-member mid-way up in front of the radiator, **(Figure 7)**. Cross-member can also be viewed and accessed from below the vehicle, **(Figure 8)**. Locate the factory holes in the bottom of the cross-member at each end. Select (1) 10mm Bolt Plate, **(Figure 6)** and thread the 10mm Plastic Retainer onto the Bolt Plate. Insert the Bolt Plate and Retainer through the back of cross-member and down through hole in the bottom of the cross-member, **(Figures 6—10)**.
6. Slide the driver side Top Bracket through the plastic grille opening. Attach the flat end of the Top Bracket to the Bolt Plate with the included (1) 10mm Flat Washer, 10mm Lock Washer and (1) 10mm Hex Nut, **(Figures 10—11)**. Do not tighten hardware.
7. Repeat **Steps 5—6** for passenger side Top Bracket installation.

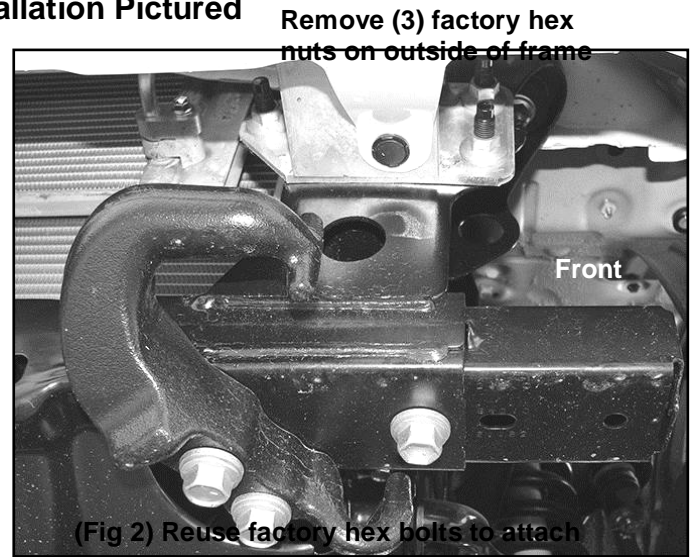
8. With assistance, position the Grille Guard onto the inside of the Mounting Brackets. Use the included (6) 12mm x 45mm Hex Bolts, (12) 12mm Flat Washers, (6) 12mm Lock Washers and (6) 12mm Hex Nuts to attach the Grille Guard to the Mounting Brackets, **(Figure 12)**.
9. Align the Grille Guard properly and tighten all hardware.
10. Do periodic inspections to the installation to make sure that all hardware is secure and tight.

**To protect your investment**, wax this product after installing. Regular waxing is recommended to add a protective layer over the finish. Do not use any type of polish or wax that may contain abrasives that could damage the finish.

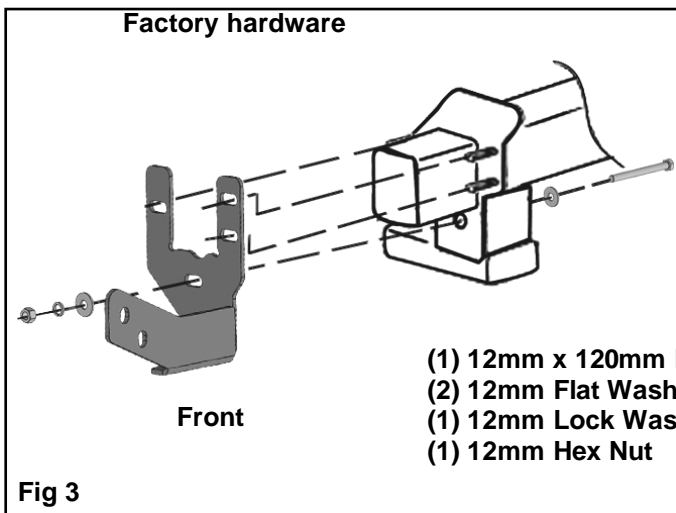
**Driver/Left Side Installation Pictured**



**(Fig 1) The (4) Frame Mounting Bracket mounting points pictured from below bumper**

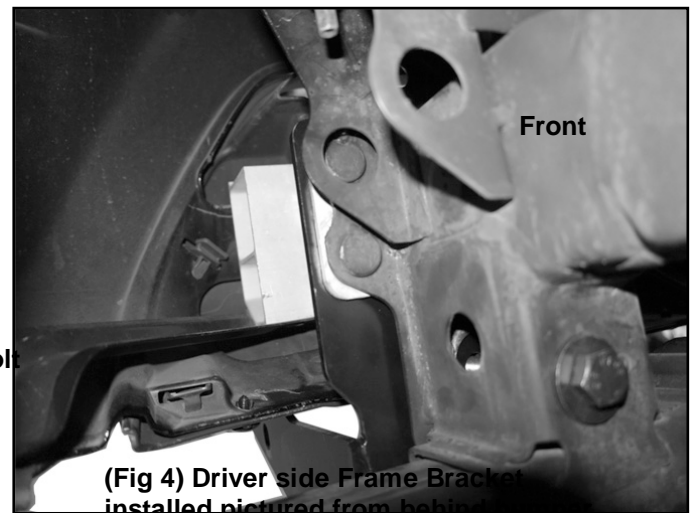


**(Fig 2) Reuse factory hex bolts to attach Frame Bracket to bottom of cross-member**



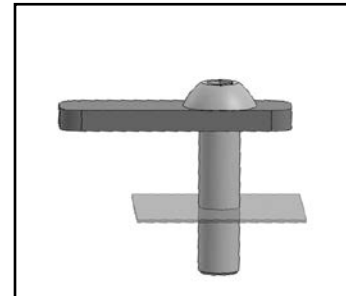
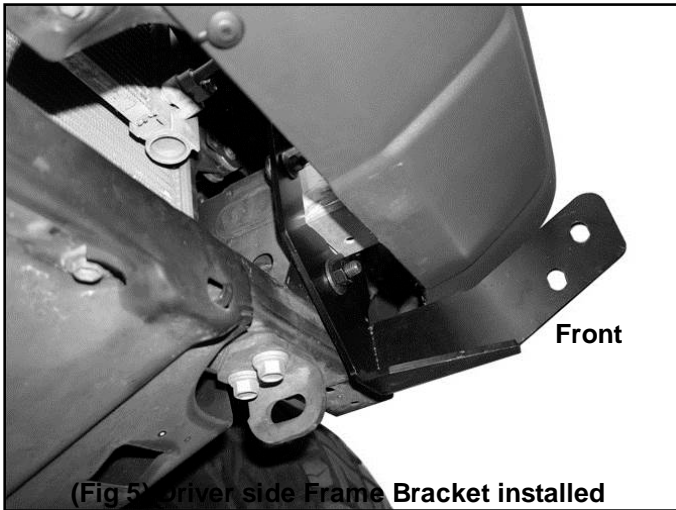
**Fig 3**

- (1) 12mm x 120mm Hex Bolt
- (2) 12mm Flat Washers
- (1) 12mm Lock Washer
- (1) 12mm Hex Nut



**(Fig 4) Driver side Frame Bracket installed pictured from behind bumper**

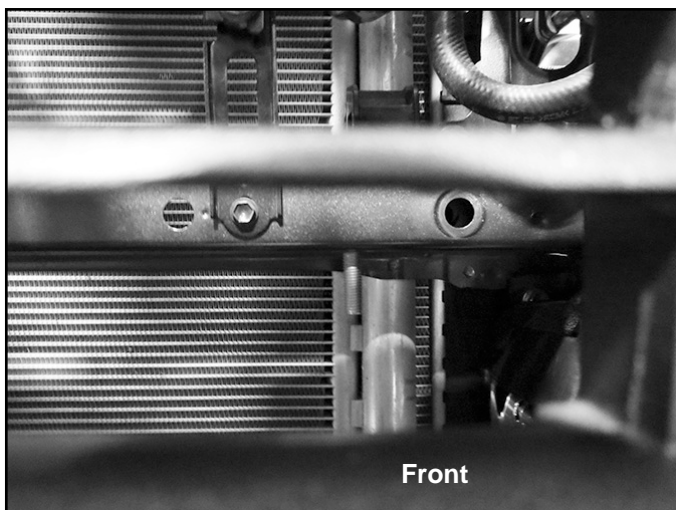
Driver/Left Side Installation Pictured



(Fig 6) 10mm Bolt Plate

Front

(Fig 7) Insert Bolt plate (arrow) into back of radiator cross support and down through hole in bottom (driver side pictured through bumper)

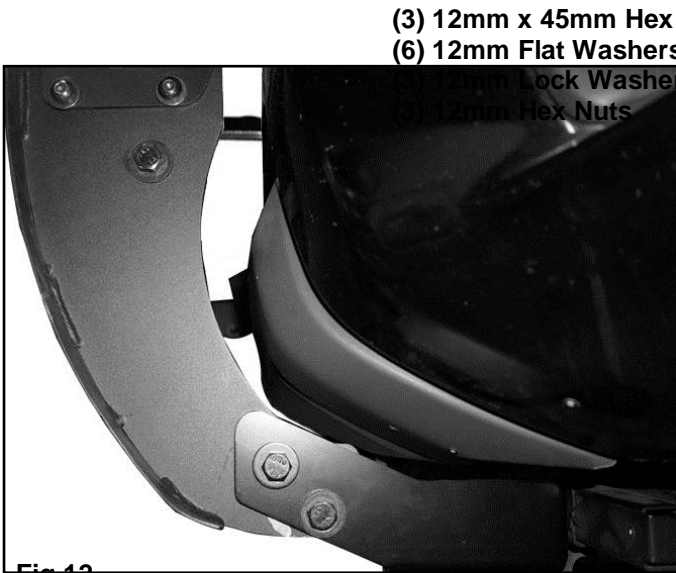
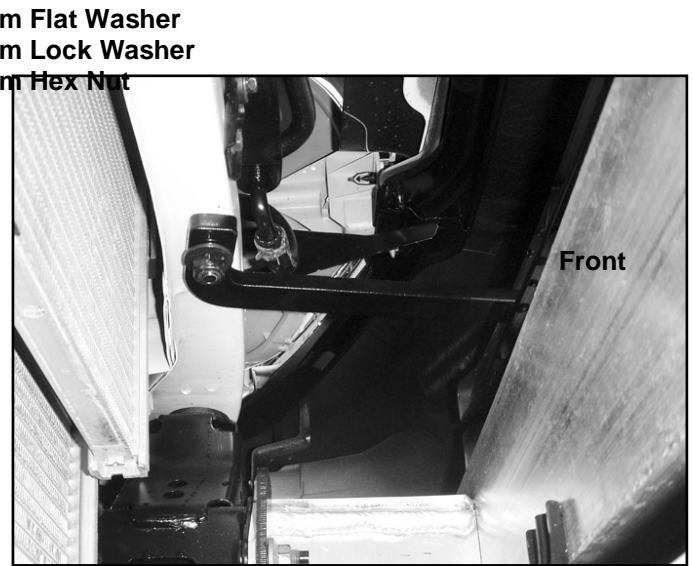
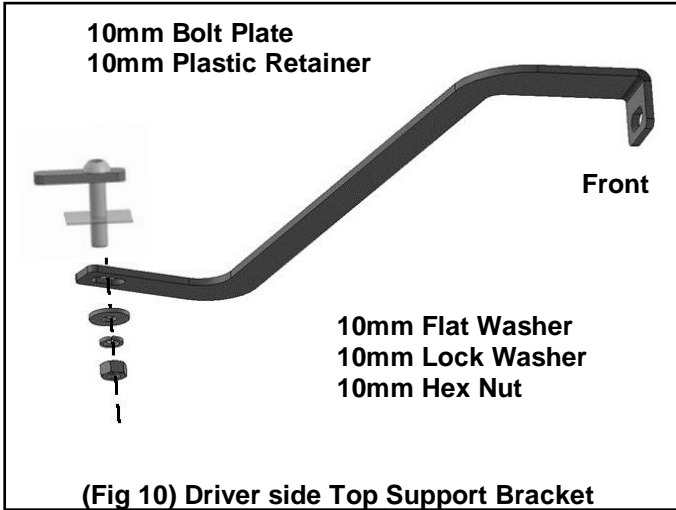


(Fig 9) Driver side Bolt Plate installed

(Fig 8) Bottom of cross-member in front of radiator. Passenger side pictured from below without skidplate

**NOTE:** It is not necessary but it may be easier to bolt the Top Brackets to the horizontal cross-member in front of the radiator after the factory skid plate has been removed

Driver/Left Side Installation Pictured





**ARMORDILLO Products are designed as decorative accessories and should not be relied upon as protection for the vehicle or passengers. Buyers assume all risk and liability whatsoever resulting from installation and use of products. We assume no liability for injury, loss, incidental or consequential damages in the event of an accident.**

**ARMORDILLO guarantees the original purchaser a LIMITED 3-YEAR WARRANTY from date of purchase against manufactured defects in materials, workmanship and finish under normal use. This excludes damage resulting from road hazards, debris, product misuse, improper installation, impairments from accidents, neglect, shipping or product modification. This warranty applies only to new products and is limited to the repair or replacement products. Warranty does not include cost of removal, installation, labor, freight, inconvenience, or consequential damage. Original purchaser must return defective merchandise to the original place of purchase and must provide the proof of purchase.**

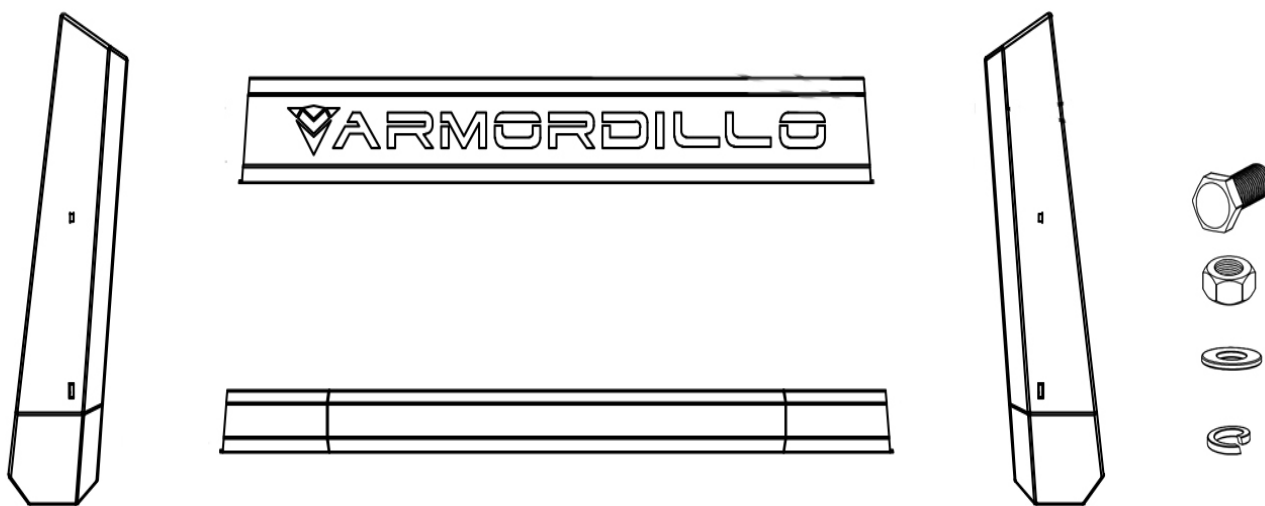
**WARNING: When working on, under or around vehicle exercise caution. If working without a lift check vehicle owners manual for correct jacking points. Always wear safety glasses and ensure a safe working area. Serious injury or death could occur if safety measures are not followed.**

**ARMORDILLO RECOMMENDS PROFESSIONAL INSTALLATION ON ALL THEIR PRODUCTS STOP - Verify part and application is correct before proceeding. If missing part or damage item please contact customer service directly via message system on the site you bought the item from.**

**Call us at (909)895-4522 Monday-Friday 9am-6pm PST  
Email us At [SUPPORT@ARMORDILLOUSA.COM](mailto:SUPPORT@ARMORDILLOUSA.COM)**

**PARTS LIST:**

1	Rock Crawler Grille Guard	8	10-1.5mm x 30mm Button Head Bolts
1	Top Bar	8	10mm x 24mm OD x 2.2mm Flat Washers
1	Driver/left Outer Wing	8	10mm Lock Washers
1	Passenger/right Outer Wing	4	8-1.25mm x 20mm Button Head Bolts
1	6mm Wrench	4	8mm x 24mm x 2mm Flat Washers
1	5mm Wrench	4	8mm Lock Washers



**PROCEDURE:**

**REMOVE CONTENTS FROM BOX. VERIFY ALL PARTS ARE PRESENT. READ INSTRUCTIONS CAREFULLY BEFORE STARTING INSTALLATION. ASSISTANCE IS RECOMMENDED.**

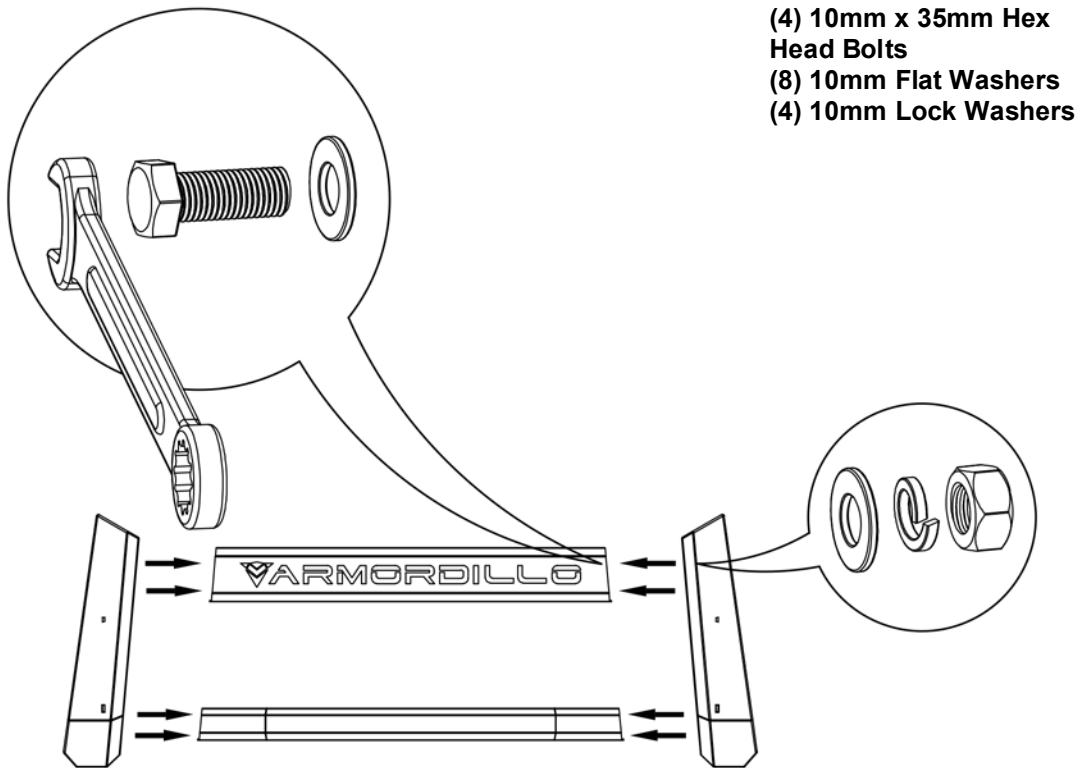
- Carefully unwrap the Grille Guard Center Section. Next, select the driver/left Grille Guard Outer section. Attach the outer to the Center Section with (4) 10mm x 35mm Button Head Bolts and (8) 10mm Flat Washers, (4) 10mm Lock Washer(**Figure 1**). Do not tighten hardware at this time. Repeat this Step to attach the passenger/right side Grille Guard Outer Wing
- Select the Center Top Bar. Line up the mounting holes in the Top Bar with the threaded inserts in the left and right Outer Wings. Attach the Top Bar to the Wings with (4) 8mm x 20mm Button Head Bolts, (4) 8mm Lock Washers and (4) 8mm Flat Washers. Fully tighten the hardware after attaching the Bumper Guard.
- Do periodic inspections to the installation to make sure that all hardware is secure and tight.
- Refer to Bracket Kit installation instructions to attach Bumper Guard to Brackets.

**To protect your investment**, wax this product after installing. Regular waxing is recommended to add a protective layer over the finish. Do not use any type of polish or wax that may contain abrasives that could damage the finish.

**For stainless steel:** Aluminum polish may be used to polish small scratches and scuffs on the finish. Mild soap may be used also to clean the Grille Guard.

**For gloss black finishes:** Mild soap may be used to clean the Grille Guard.

**Driver Side Installation Pictured**



- (4) 10mm x 35mm Hex Head Bolts
- (8) 10mm Flat Washers
- (4) 10mm Lock Washers

**(Fig 1) Attach the outer section to the center bar.**