

RS2 Running Boards
2015-2022 Ford F-150 - Super Crew (Crew Cab)
2017-2022 Ford Super Duty F-250/F-350 - Super Crew (Crew Cab)



ARMORDILLO Products are designed as decorative accessories and should not be relied upon as protection for the vehicle or passengers. Buyers assume all risk and liability whatsoever resulting from installation and use of products. We assume no liability for injury, loss, incidental or consequential damages in the event of an accident.

ARMORDILLO guarantees the original purchaser a LIMITED 3-YEAR WARRANTY from date of purchase against manufactured defects in materials, workmanship and finish under normal use. This excludes damage resulting from road hazards, debris, product misuse, improper installation, impairments from accidents, neglect, shipping or product modification. This warranty applies only to new products and is limited to the repair or replacement products. Warranty does not include cost of removal, installation, labor, freight, inconvenience, or consequential damage. Original purchaser must return defective merchandise to the original place of purchase and must provide the proof of purchase.

WARNING: When working on, under or around vehicle exercise caution. If working without a lift check vehicle owners manual for correct jacking points. Always wear safety glasses and ensure a safe working area. Serious injury or death could occur if safety measures are not followed.

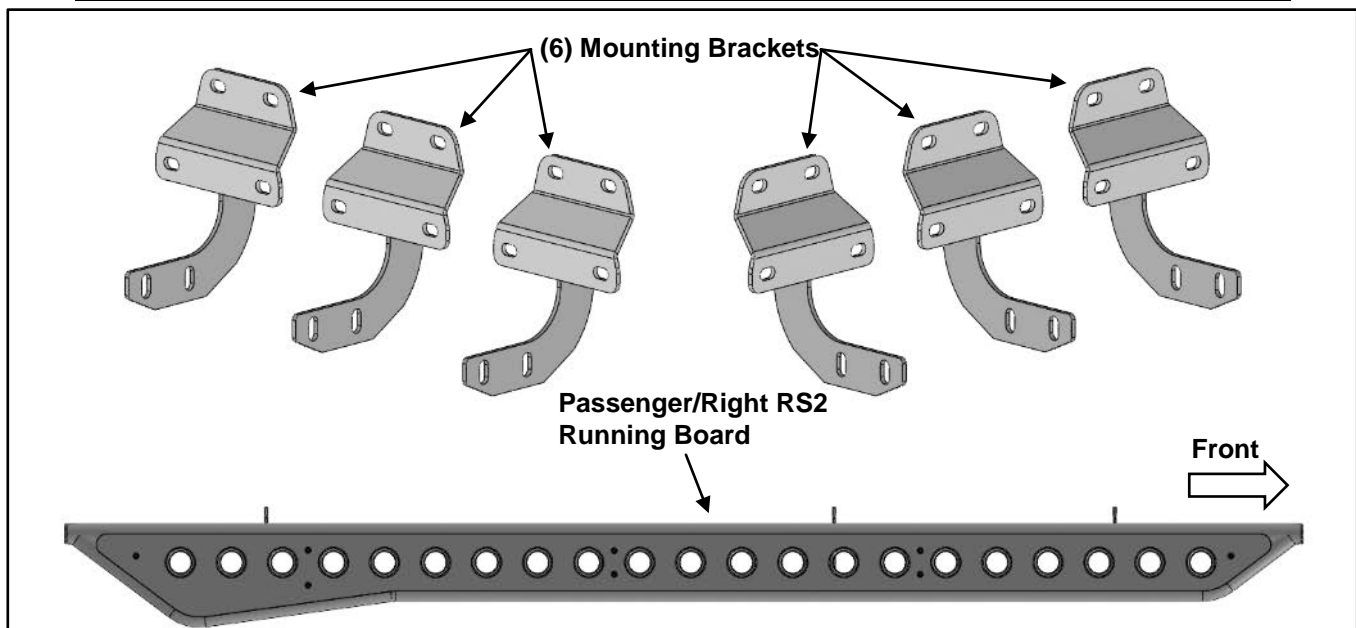
ARMORDILLO RECOMMENDS PROFESSIONAL INSTALLATION ON ALL THEIR PRODUCTS STOP - Verify part and application is correct before proceeding. If missing part or damaged item please contact customer service directly via message system on the site you bought the item from.

**Call us at (909)895-4522 Monday-Friday 9am-6pm PST
Email us At SUPPORT@ARMORDILLOUSA.COM**

RS2 Running Boards
2015-2022 Ford F-150 - Super Crew (Crew Cab)
2017-2022 Ford Super Duty F-250/F-350 - Super Crew (Crew Cab)

PARTS LIST:

1	Driver/Left RS2 Running Board	12	10mm Nylon Lock Nuts
1	Passenger/Right RS2 Running Board	18	8mm Plastic Washers
6	Mounting Brackets	18	8mm x 24mm OD x 2mm Flat Washers
12	10-1.5mm x 35mm Hex Bolts	18	8mm Nylon Lock Nuts
24	10mm x 27mm OD x 3mm Flat Washers		



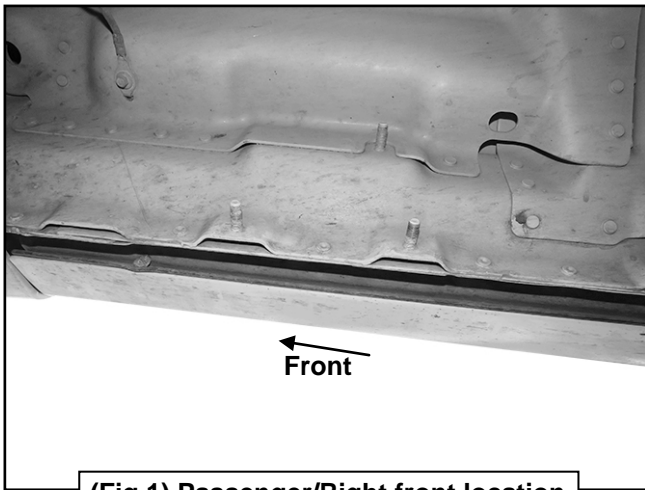
PROCEDURE:

1. **REMOVE CONTENTS FROM BOX. VERIFY ALL PARTS ARE PRESENT. READ INSTRUCTIONS CAREFULLY BEFORE STARTING INSTALLATION.**
2. Starting on the Passenger/Right front of the body panel, locate the threaded mounting studs, **(Figure 1)**. **Clean mounting studs with wire brush to remove paint and debris.**
3. Slide (1) Plastic Washer over each of the (3) factory mounting studs in the body panel, **(Figure 2)**. **IMPORTANT:** The Plastic Washers are designed to prevent corrosion between the aluminum body panel and the steel mounting brackets. **Do not install the Brackets without the Plastic Washers.**
4. Select (1) Mounting Bracket. **NOTE:** All (6) Brackets are universal and will fit left or right side. Attach the Mounting Bracket to the (3) factory studs with (3) 8mm Flat Washers, (3) 8mm Lock Washer and (3) 8mm Hex Nuts, **(Figures 2 & 3)**. Do not tighten hardware at this time.
5. Repeat **Steps 2—4** to attach (2) Mounting Brackets onto the center and rear locations, **(Figures 4—7)**.
6. Carefully unwrap the Passenger/Right Running Board. With assistance, attach the Running Board mounting tabs to the rear faces of the Mounting Brackets with (6) 10mm Hex Bolts, (12) 10mm Flat Washers and (6) 10mm Nylon Lock Nuts, **(Figures 8—11)**. Do not tighten hardware at this time
7. Level and adjust the Running Board as necessary and fully tighten all hardware.
8. Repeat **Steps 2—7** for passenger/right side Running Board installation.
9. **(OPTIONAL)** If treads on the stepping platform are desired, remove the platforms from both Running Boards and reattach them to the opposite sides, **(Figure 12)**.
10. Do periodic inspections to the installation to make sure that all hardware is secure and tight.

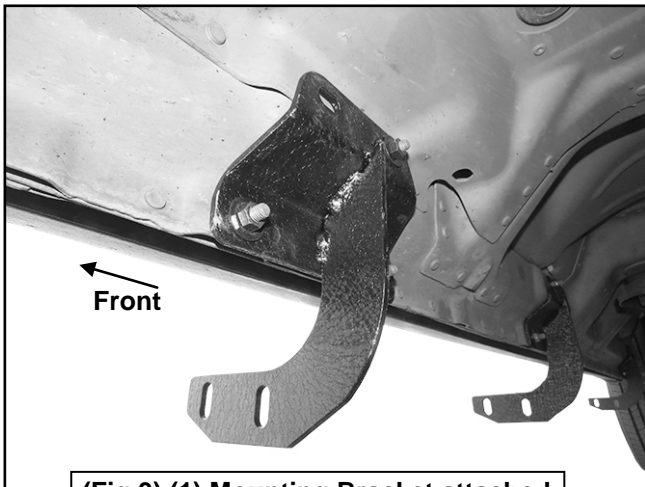
To protect your investment, Do not use any type of polish or wax that may contain abrasives that could damage the finish. Mild soap may be used to clean the Running Boards.

RS2 Running Boards
2015-2022 Ford F-150 - Super Crew (Crew Cab)
2017-2022 Ford Super Duty F-250/F-350 - Super Crew (Crew Cab)

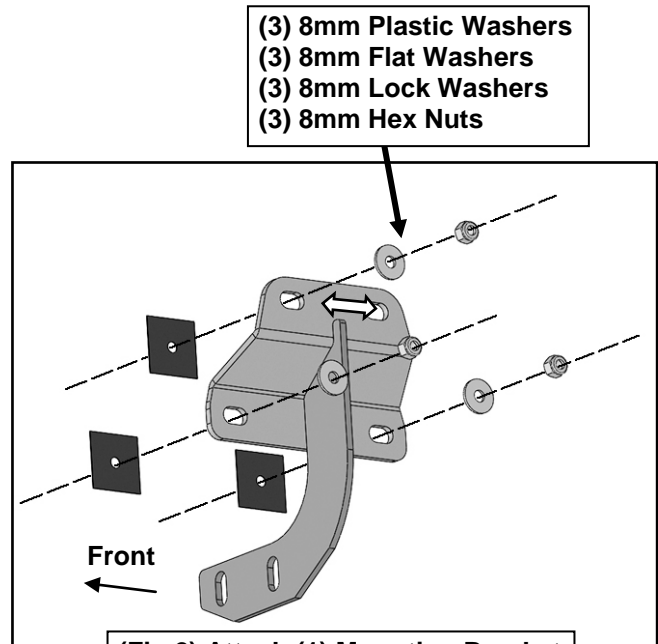
Passenger/Right Side Installation Pictured



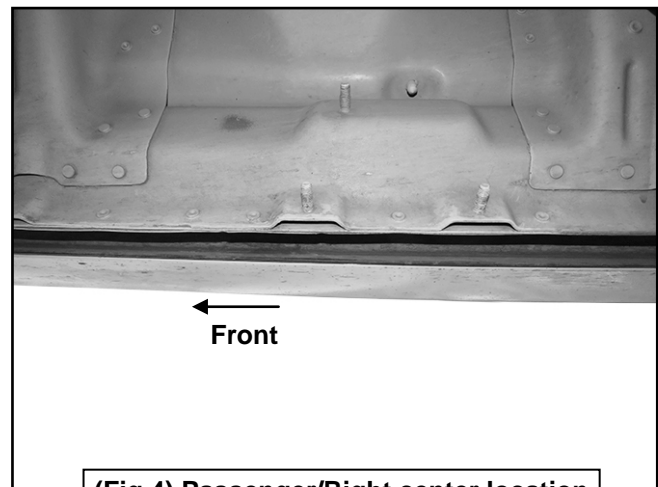
(Fig 1) Passenger/Right front location



(Fig 3) (1) Mounting Bracket attached to the Passenger/Right front location



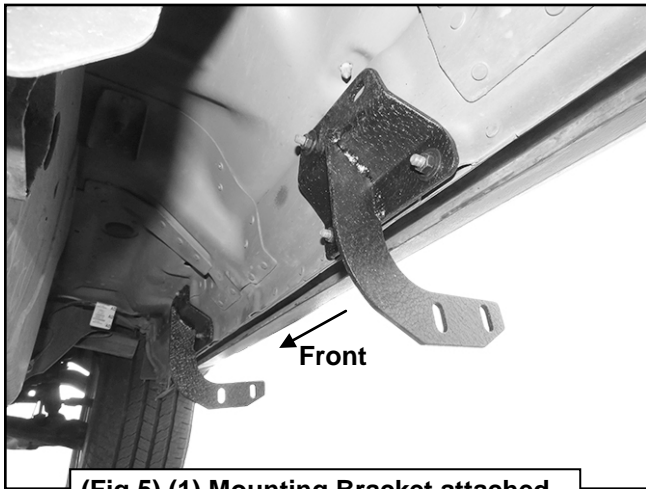
(Fig 2) Attach (1) Mounting Bracket to the studs on the front location



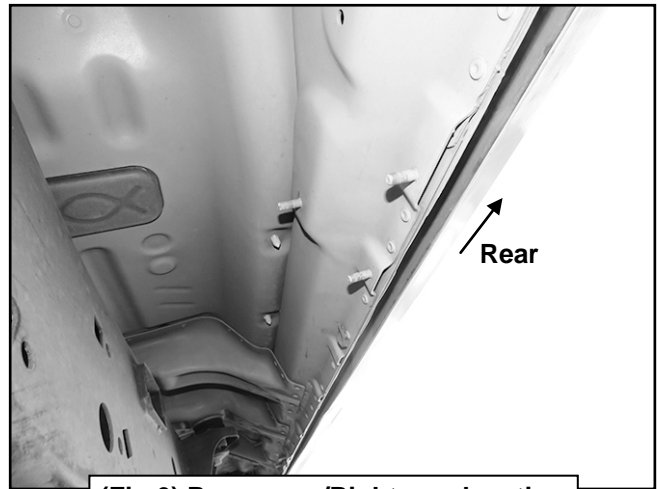
(Fig 4) Passenger/Right center location

RS2 Running Boards
2015-2022 Ford F-150 - Super Crew (Crew Cab)
2017-2022 Ford Super Duty F-250/F-350 - Super Crew (Crew Cab)

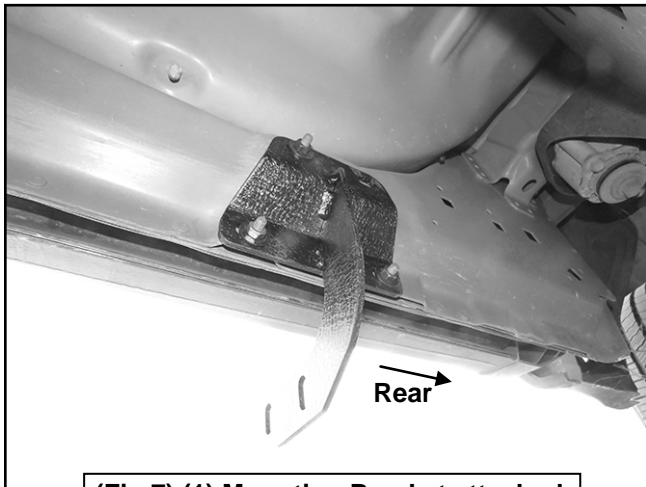
Passenger/Right Side Installation Pictured



(Fig 5) (1) Mounting Bracket attached to the Passenger/Right center location

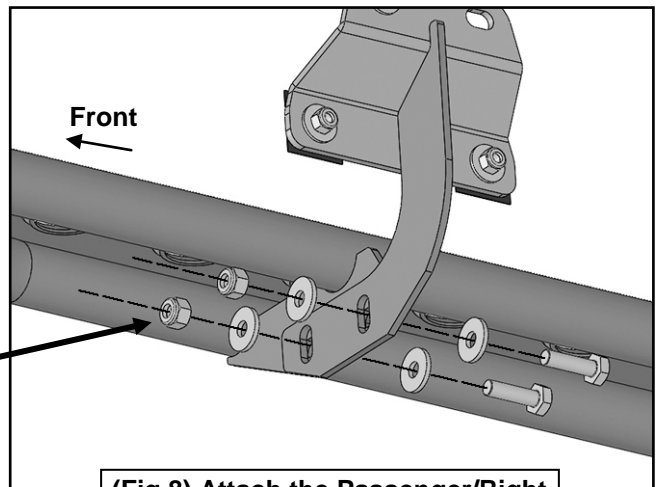


(Fig 6) Passenger/Right rear location



(Fig 7) (1) Mounting Bracket attached to the Passenger/Right rear location

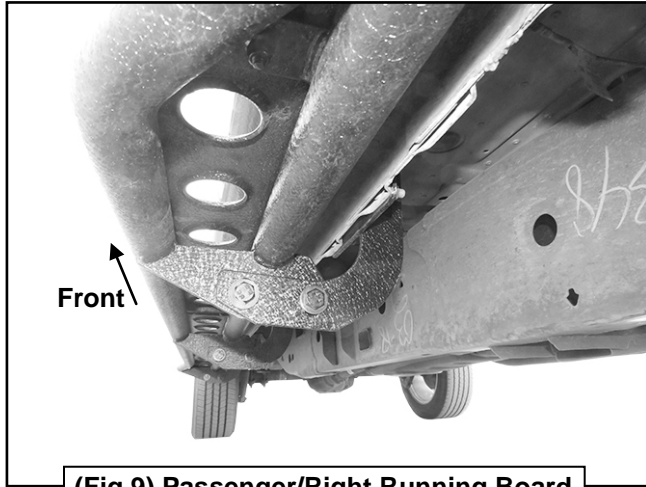
Double Bolt Plate
(2) 8mm Flat Washers
(2) 8mm Nylon Lock Nuts



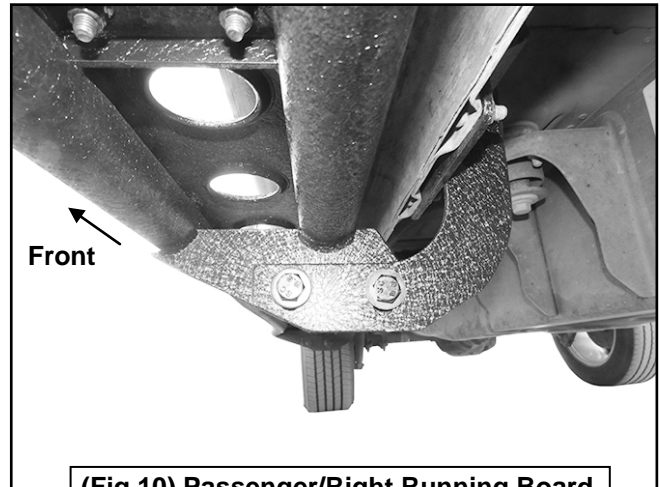
(Fig 8) Attach the Passenger/Right Running Board to the rear faces of the Mounting Brackets

RS2 Running Boards
2015-2022 Ford F-150 - Super Crew (Crew Cab)
2017-2022 Ford Super Duty F-250/F-350 - Super Crew (Crew Cab)

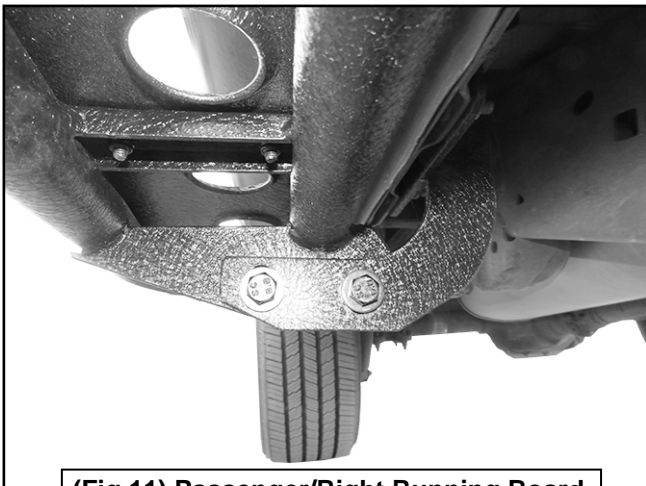
Driver/left Side Installation Pictured



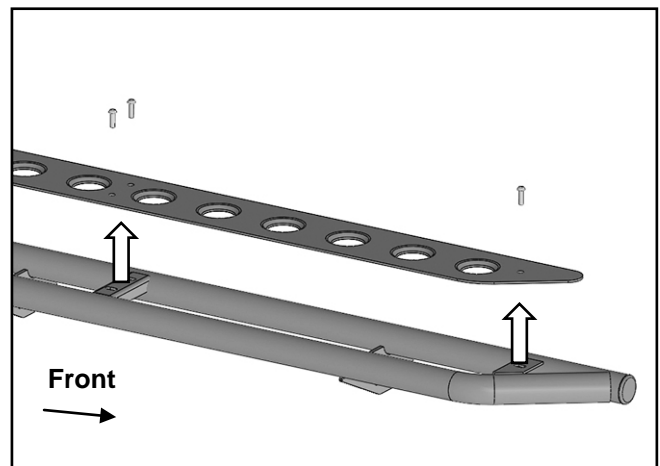
(Fig 9) Passenger/Right Running Board attached to the front Mounting Bracket



(Fig 10) Passenger/Right Running Board attached to the center Mounting Bracket



(Fig 11) Passenger/Right Running Board attached to the rear Mounting Bracket



(Fig 12) (Optional) Remove the platform on both Running Boards to switch the boards for treads on top of the platforms for less slipping