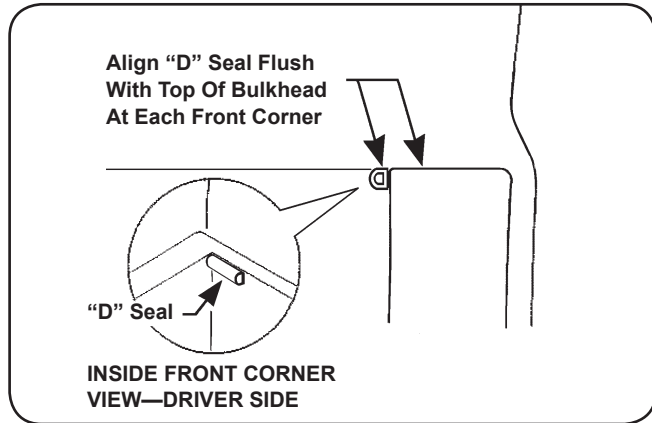


SPECIAL SEAL AND RAIL INSTALL INSTRUCTIONS

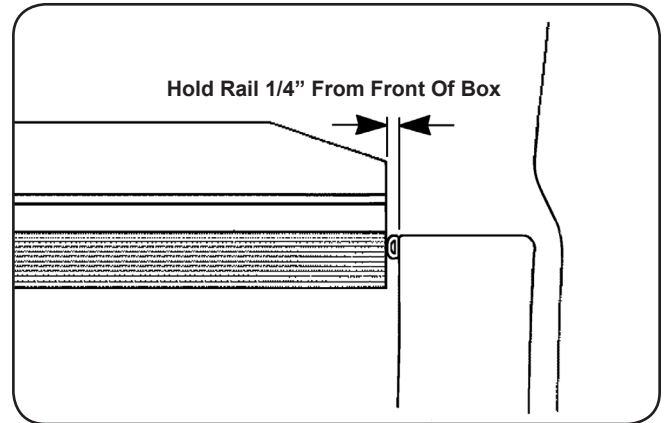
2005-ON NISSAN FRONTIER

ATTENTION INSTALLER/OWNER:

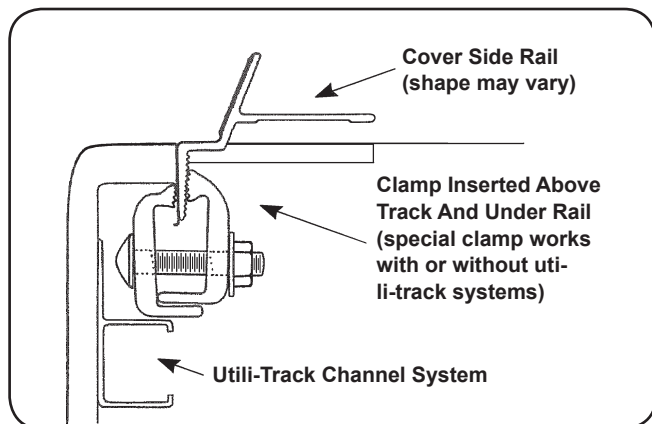
- A. This kit requires special install procedures to install weather seal and cover side rails. Please read and follow instructions below.
- B. Some trucks may have Utili-Track with an OEM sliding bed extender. If needed, adaptor kit #40575 is available to resize bed extender to fit between cover rails.



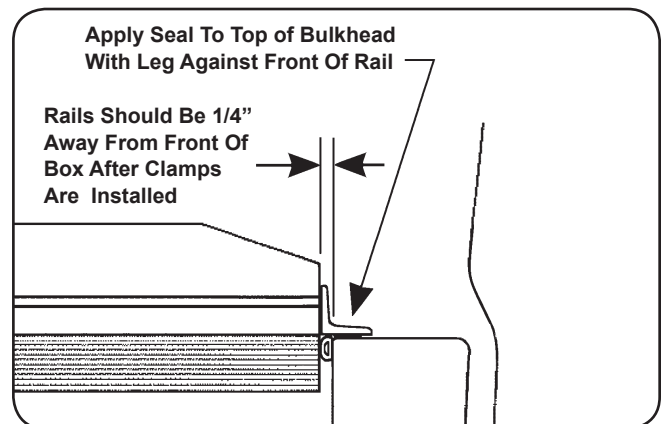
1. **Installing "D" Seal:** Clean surface where seal adheres. Peel off backing. Adhere seal flush with top of bulkhead on inside of front corner as shown. Repeat on opposite front corner.



2. **Aligning Front of Side Rail:** Front of rail should be set 1/4" away from front of box.



3. **Clamping Rail:** Loosen nut on clamp enough to allow clamp assembly to insert above Utili-Track system at each end. Then slide clamps into position along length of box. Use all clamps in kit—half on each rail. For all remaining clamp and rail installation, see Owner's Manual. Finish installing both side rails now.



4. **Element Seal Option:** Certain model covers come standard with front Element Seal. Install this seal to top of bulkhead from side to side as shown. *OMIT THIS STEP FOR COVERS WITHOUT THIS SEAL.* Follow Owner's Manual for remaining cover installation.