



INSTALLATION INSTRUCTIONS

You May Also Be Interested In:



Part # - 4000308
Item # - XIL-LICENSEP
License Plate Bracket for Light Bars up to 20"



CLAMP TUBE MOUNT
(0.75"-3.0" Diameters Available)

XPL

LO-PRO LIGHT BAR SERIES

Installation Instructions & User's Manual



SECURITY NUT
Available in multiple sizes



SECURITY BOLT
Available in multiple sizes



VISION X



About The XPL LED Light Bar:



*Accessories in Box May Vary

FEATURES

1. Ultra slim housing with back-lit housing.
2. IRIS reflector technology for ultimate distance.
3. Dual mounting options; end cap wings and mounting feet.

XPL LED LIGHT BAR SPECIFICATIONS

1. Warranty : Extended
2. Amp Draw : 1.25A - 16.25A @ 12V DC
3. Input Voltage : 9-32V DC
4. Beam Patterns : Spot
5. LED Lifespan : 50,000 Hours

PREPARATION

1. We recommend completely reading instructions before installing.
2. Consult your local state regulatory agency regarding the use of LED lighting.
3. The placement of LED lighting should not restrict airflow to the radiator or block head lamps, turn signals, or parking lights.

MAINTENANCE

1. All Vision X models have been designed for maintenance free use. In the case an LED lamp or other part replacement is needed please contact your authorized service center.

XPL LED LIGHT BAR



INSTALLATION IMAGES



Fig. 1
(Wing
Mounting)

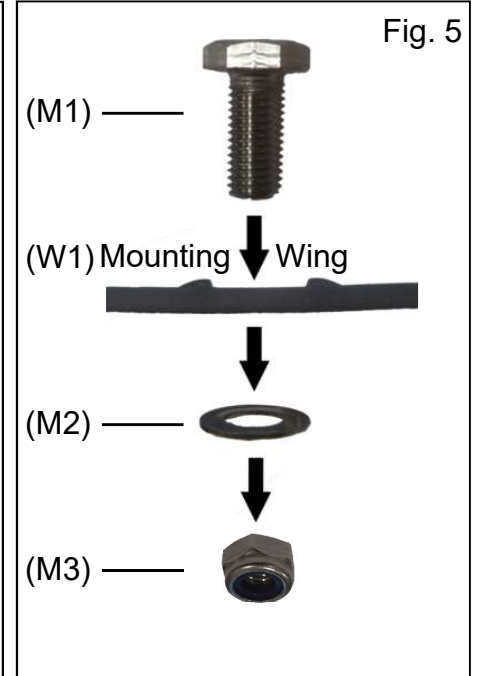


Fig. 2
(Wing
Mounting)



Fig. 3
(Feet
Mounting)

WING INSTALLATION IMAGE



LIGHT ANGLE ADJUSTMENT

1. With Mounting Feet : Use 13mm wrench / sockets to loosen bolts on mounting feet. Slide the light bar up or down to angle the beam. Once desired angle is achieved, tighten the bolts. See [Figure 3]
2. Wing Side Wing Mounts : Use philips head screwdriver or socket to loosen bolts on both sides of light bar and adjust light bar to desired angle. See [Figure 2]
3. A good reference point is at 20 ft; the top of the beam should be 3" down from center of light (with the light bar at dead center). Tighten light and enjoy.

TIP: Vision X recommends the use of liquid thread-locker, or Loctite, to ensure that every bolt and nut are safely secured.



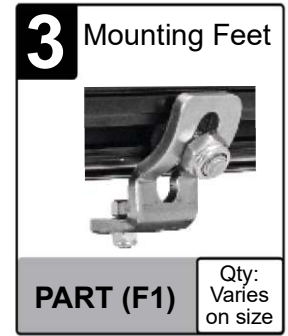
WARNING: Bolts, Nuts, and Washers are Stainless Steel. DO NOT USE Pneumatic or Electric Tools to Tighten and Loosen. The Hardware Will Permanently Lock Together.

MOUNTING INSTALLATION INSTRUCTION FOR WINGS (END CAPS)

1. Insert two (2) rubber grommets Part (G1) on each side of the LED bar over the appropriate threaded bolt holes. See [Figure 1]
2. Place the mounting wings Part (W1) over the rubber grommets (G1) and insert the wing bolts Part (B1). See [Figure 2]
3. Use a phillips screwdriver to tighten the wing bolts (B1), starting with the top bolt first. See [Figure 2]
4. Place the light bar on the location where it will be mounted.
5. Determine where the M8 bolt Part (M1) will be placed for each wing, and mark the bolt location for each side.
6. Drill a hole for the M8 bolt using a 6.8mm drill bit.
7. Line the light bar wings over the drilled hole and slide the M8 bolt (M1) through.
8. Slide the washer Part (M2) on the opposite side of the drilled hole followed by the nut Part (M3), and screw until secured. See [Figure 5]

MOUNTING INSTALLATION INSTRUCTION FOR FEET

1. Set the light bar in the location you plan to mount. Mark each end of the light bar and measure the length.
2. Depending on the length of your light bar, will determine the number of mounting feet Part (F1) included in the packaging. These feet fit into grooves on the back of the light bar. See [Figure 3]
3. Place each mounting feet (F1) (with bolt head pointing into light bar) into the feet grooves on the back of the light bar.
4. Mark the location of each mounting feet (F1) on your vehicle. Drill holes for each. The feet can slide inside the grooves, letting you fine tune the location.
5. Line up the feet (F1) with the previously drilled holes and place the light bar onto your vehicle.
6. Securely tighten the nut to the mounting feet bolt.



VISION X



WIRING INSTALLATION INSTRUCTION

1. Find a suitable place to mount Relay Part (R1) leaving enough room for Power & Ground wires Part (W1 & W2) to reach the battery & the Deutsch connector Part (C1) to reach the Light. Mount Relay.
2. Run Power wire (W1) & Ground wire (W2) to the battery. Connect the Power wire (W1) to the Positive (+) battery terminal and connect the Ground wire (W2) to the Negative (-) battery terminal.
3. Run the Deutsch connector wire (C1) to the light and plug in.
4. To connect the Halo wire Part (H1) tap the yellow wire to an existing power source or on its own auxiliary switch.
5. Disconnect the Switch Part (S1) at the white Plug Part (P1) and run the wire through the vehicles fire wall to desired mounting location inside the Cab [using a factory rubber or plastic grommet is suggested].
6. Drill the hole to the required size for the Switch (S1) and mount to desired position.
7. Reconnect the Switch (S1) to the Harness.
8. Test Light.

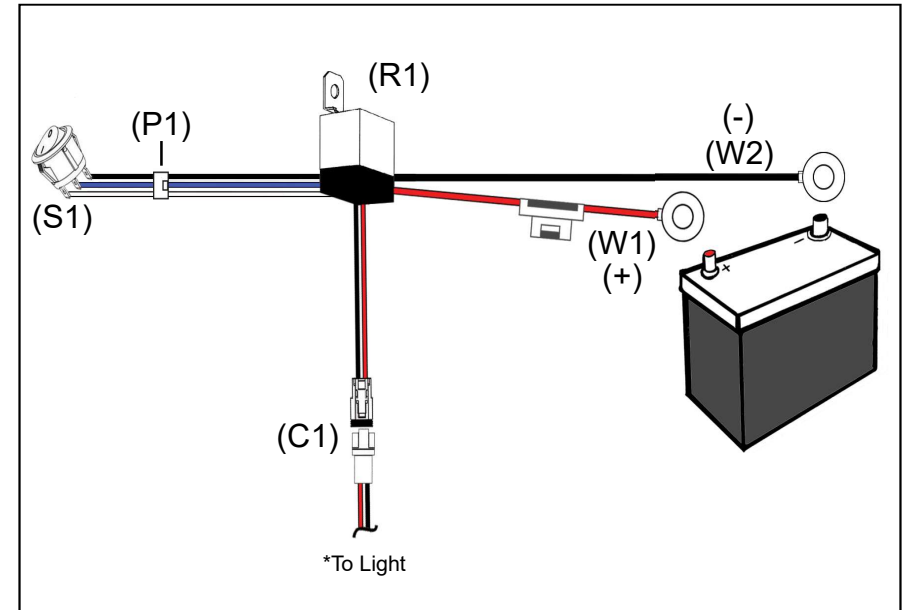
MANUFACTURER RECOMMENDATION

For those unfamiliar with electrical wiring on vehicles, Vision X recommends that all LED Lighting products are professionally installed.

XPL LED LIGHT BAR



WIRING DIAGRAM:



HALO WIRE:



COMPONENTS KEY

- Part (R1) Relay
- Part (W1) Power Wire for Relay Coil
 - a. 9-32V DC Positive (+) Input Wire
- Part (W2) Ground Wire for Relay Coil
 - a. 9-32V DC Negative (-) Input Wire
- Parts (C1) Deutsch Connector for Light
 - a. Attached to 9-32V DC Positive (+) Power Wires
- Part (H1) Halo Wire
- Part (S1) Switch
- Part (P1) Switch Plug