

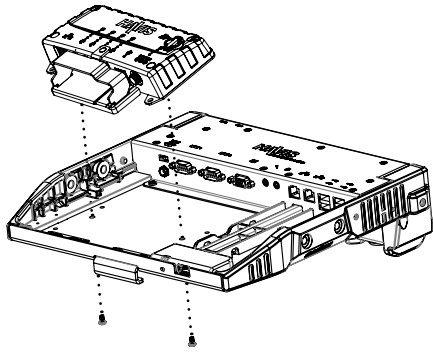


## Installation & Cable Management (continued)

3) Secure Rugged Hub to mounting surface.

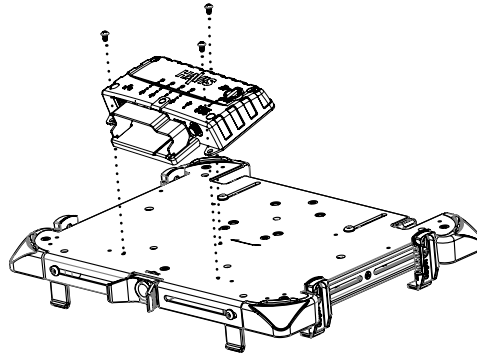
### OPTION A: Typical Docking Station

Align holes on bottom of Rugged Hub with two (2) holes in panel and secure from back side using Hardware Kit Item 4a. Torque screws to 14 in-lbs ± 10%.

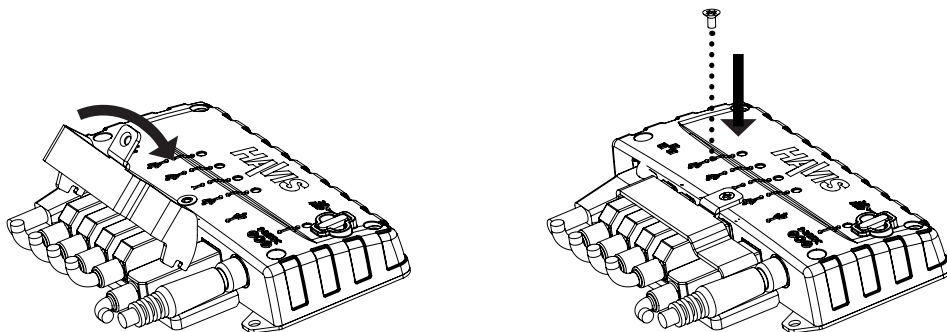


### OPTION B: Typical Universal Tray

Align holes on top of Rugged Hub with three (3) holes in panel and secure from front side using Hardware Kit Item 4b. Torque screws to 14 in-lbs ± 10%.



4) Connect all required cables between peripheral devices and Rugged Hub, then reinstall the Strain Relief Bracket as shown with fastener retained from Step 1.



5) As needed, use Zip Ties supplied in Hardware Kit to further strain relieve excess cable lengths. Be certain to allow for a service loop to accommodate the full range of intended motion.

## Before Beginning

Havis is pleased to provide this Owner's Manual to aid in the proper installation and use of the DS-DA-602 Rugged Hub.

For questions regarding the set-up of your DS-DA-602 Rugged Hub, please contact Havis at 1-800-524-9900 or visit [www.havis.com](http://www.havis.com) for additional product support and information.

### ⚠ CAUTION

- THE POWER CABLE INCLUDED WITH THE DS-DA-602 IS UNIQUE TO THIS PRODUCT. DO NOT USE THE DS-DA-602 POWER CABLE WITH ANY OTHER HAVIS DEVICE. DO NOT USE ANY OTHER HAVIS DEVICE'S POWER CABLE WITH THE DS-DA-602.
- READ ALL INSTRUCTIONS THOROUGHLY BEFORE BEGINNING INSTALLATION.

## Specifications

Power Supply Input	9-24V DC-In
Dimensions	5.1" ( 12.9 cm ) W x 3.3" ( 8.4 cm ) D x 1.0" ( 2.5 cm ) H
Weight	0.6 lbs ( 0.3 kg )
Operating Environment	-20° C to 65° C ( -4° F to 149° F )
Storage Environment	-30° C to 70° C ( -22° F to 158° F )

## FCC Statement

This device complies with the requirements of the Code of Federal Regulations listed below: FCC Title 47 CFR, Part 15 Class A for a digital device.

Operation is subject to the following two conditions:

- (1) This device may not cause harmful interference, and
- (2) This device must accept any interference received, including interference that may cause undesired operation.

NOTE: This equipment has been tested and found to comply with the limits for a Class A digital device, pursuant to part 15 of the FCC Rules. These limits are designed to provide reasonable protection against harmful interference when the equipment is operated in a commercial environment. This equipment generates, uses, and can radiate radio frequency energy and, if not installed and used in accordance with instruction manual, may cause harmful interference to radio communications. Operation of this equipment in a residential area is likely to cause harmful interference in which case the user will be required to correct the interference at his own expense.

## Parts Included

### 1. Rugged Hub



### 2. Cables

#### a. USB Cable



#### b. Power Cable



### 3. CD with Driver Software



### 4. Hardware Kit

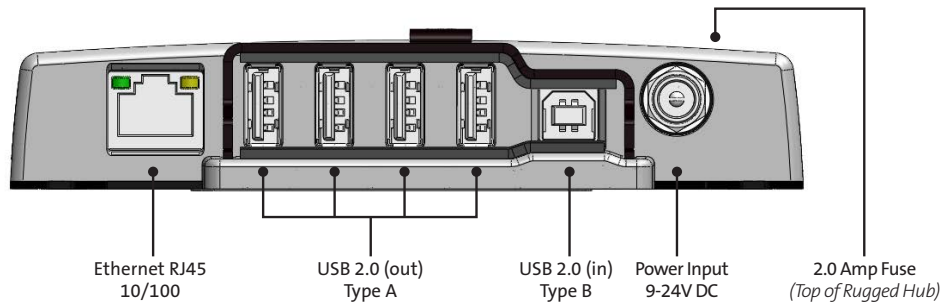
- Machine Screw, Pan Head, #6-32 x 1/4" Long, #2 Phillips Drive, with Adhesive Patch (2)
- Thread-Forming Screw, Pan Head, #6-32 x 1/4" Long, #2 Phillips Drive (3)
- Zip Ties (2)



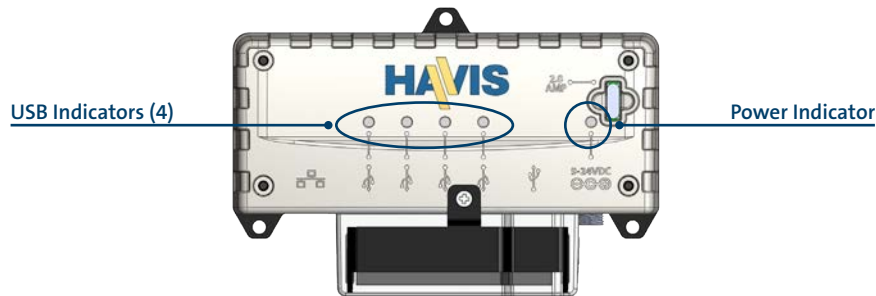
### ⚠ CAUTION

- THE POWER CABLE INCLUDED WITH THE DS-DA-602 IS UNIQUE TO THIS PRODUCT. DO NOT USE THE DS-DA-602 POWER CABLE WITH ANY OTHER HAVIS DEVICE. DO NOT USE ANY OTHER HAVIS DEVICE'S POWER CABLE WITH THE DS-DA-602.

## Port Replication and Fuse



## LED Diagnostics



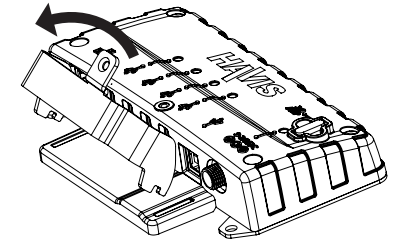
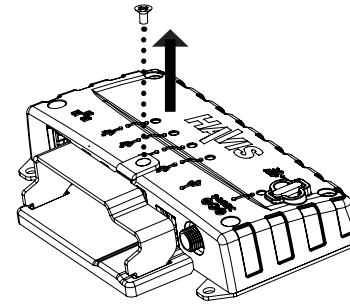
LED	Color	Status
USB Indicators (4)	Green	Port is available
	Off	Port has an over current
Power Indicator	Red	Input Power is between 9V - 24V
	Off	Voltage less than 9, or more than 24

## Installation & Cable Management

### NOTICE

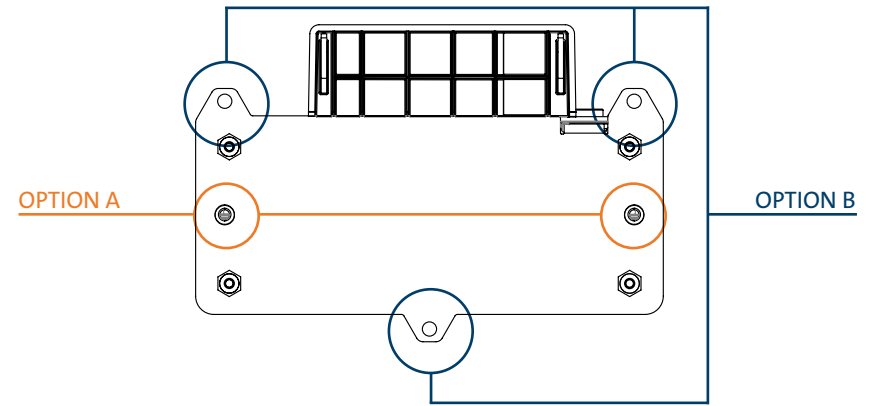
- THE DOCKING STATION AND/OR UNIVERSAL TRAY DEPICTED IN THESE INSTRUCTIONS MAY NOT PRECISELY MATCH YOUR PRODUCT, HOWEVER THE INSTRUCTION STEPS REMAIN APPLICABLE.
- IF MOUNTING RUGGED HUB TO ANY SURFACE OTHER THAN A HAVIS DOCKING STATION OR UNIVERSAL TRAY USE THE APPROPRIATE FASTENER AND TORQUES FOR YOUR INSTALLATION.

- Remove Strain Relief Bracket from Rugged Hub. Be sure to retain fastener for reassembly in Step 4.



- Identify your required mounting configuration and select the appropriate fasteners from the Hardware Kit:

- OPTION A:** If the back side of the panel to which the Rugged Hub is intended to be mounted is accessible, use Hardware Kit Item 4a. This is typically a Docking Station mounting configuration.
- OPTION B:** If the back side of the panel to which the Rugged Hub is intended to be mounted is not accessible, use Hardware Kit Item 4b. This is typically a Universal Tray mounting configuration.



( Bottom view of Rugged Hub )