

# NOTICE

## FORD F150 W/FACTORY CARGO RAILS SPECIAL INSTRUCTIONS

### Replacement Parts List

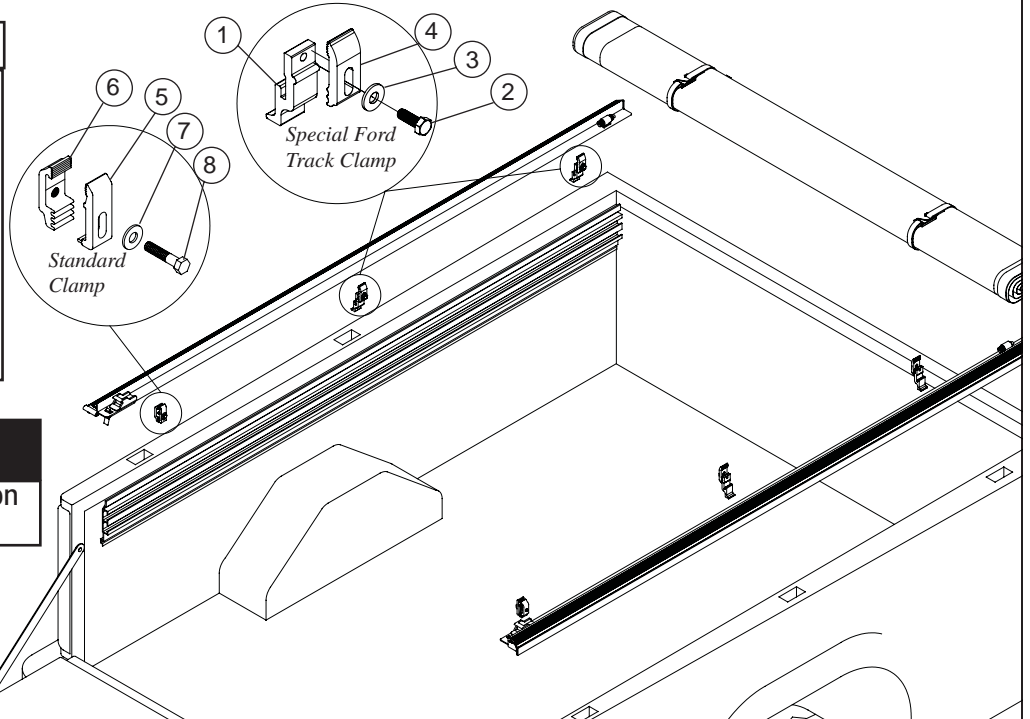
Item Part # Description

#### Special Ford Track Clamp Components

1. 1704203 CLAMP FEMALE FORD TRACK
2. 1702926 SCREW 5/16"-18 X 7/8"
3. 1700428 5/16 WASHER
4. 1703888 CLAMP MALE FORD TRAC

#### Standard Clamp Components

5. 1703254 CLAMP AJUSTABLE MALE
6. 1703253 CLAMP AJUSTABLE FEMALE
7. 1700429 3/8 WASHER
8. 1700369 SCREW 3/8"-16 X 1 3/4"



### CAUTION

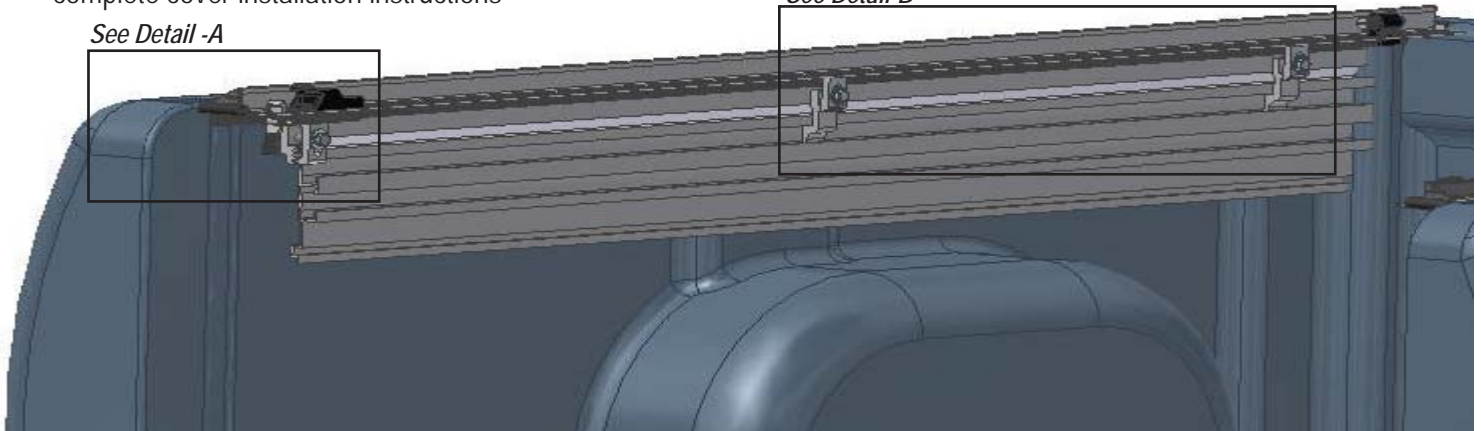
Tighten clamp assemblies securely on side rails before driving vehicle.

*Tools Required:*  
Ratchet, 1/2" socket, 9/16" socket or  
1/2"-9/16" combination wrench.

**1** **Correct clamping location:** Place clamps in the locations shown below. See detail A and B for more information. Driver side of rail is shown. Follow the same assembly steps for the passenger side rail. Refer to the owners manual for complete cover installation instructions

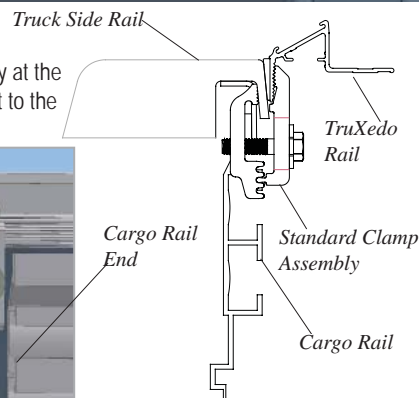
See Detail -A

See Detail-B



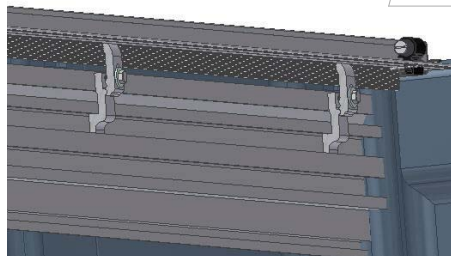
#### Detail-A

Install the standard clamp assembly at the rear area of the trucks side rail next to the end of the Ford cargo rail.

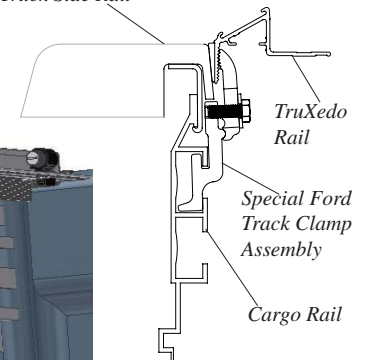


#### Detail-B

Insert clamps into the top part of Fords cargo rail. Slide clamps to the front and middle of cargo rail as shown.



Truck Side Rail



By TruXedo, Inc.

P.O. Box 1078, 2209 Kellen Gross Dr., Yankton, SD 57078

Phone: 877- 878-9336 • Fax: (605) 664-9304 [www.truxedo.com](http://www.truxedo.com)

**TRUXEDO**  
Lo-Pro-QT  
Patented

P/N 1117418 Rev A