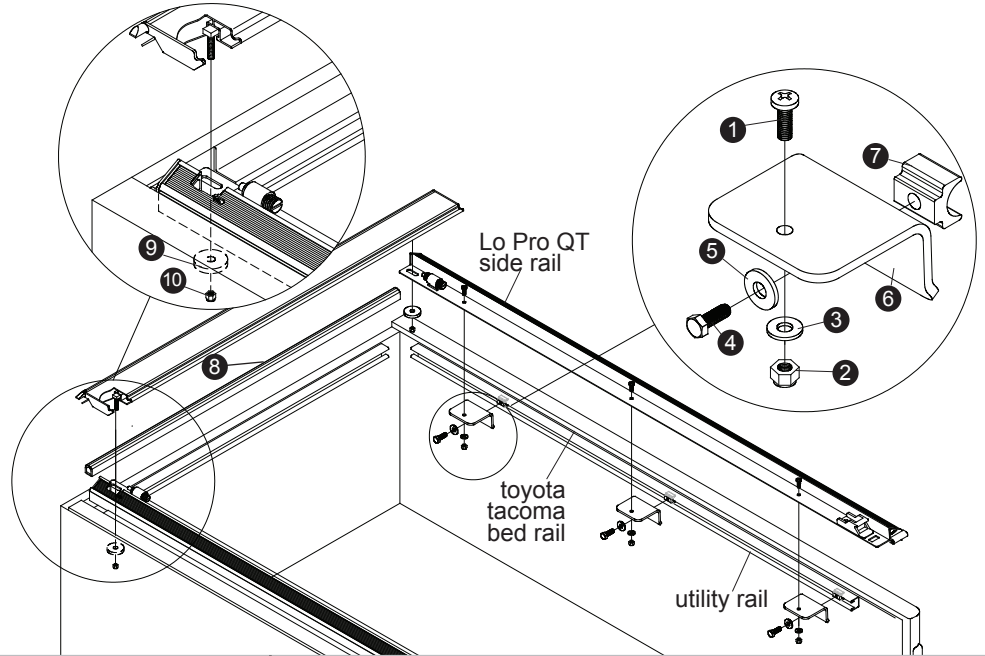


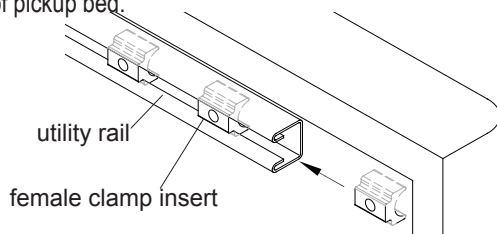
TRUXEDO® LO PRO QT TOYOTA TACOMA 2005 INSTRUCTIONS

Item	Part #	Description
1.	1702741	Cap Screw, 1/4" x 3/4"
2.	1701543	Nylon Lock Nut, 1/4"
3.	1700427	Flat Washer, 1/4"
4.	1702926	Screw 5/16"-18 X 7/8"
5.	1700428	Flat Washer, 5/16"
6.	1117051	Side Rail Bracket
7.	1703889	Female Clamp Insert
8.	1703472	Weather Seal
9.	1115745	Plastic Washer, 1/4" x 1-1/2"
10.	1701580	Nylon Lock Nut, 3/8"

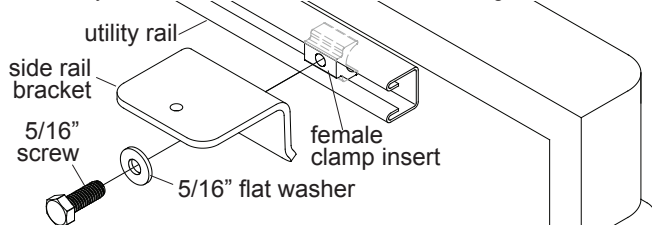


Refer to Owner's Manual for complete instructions.

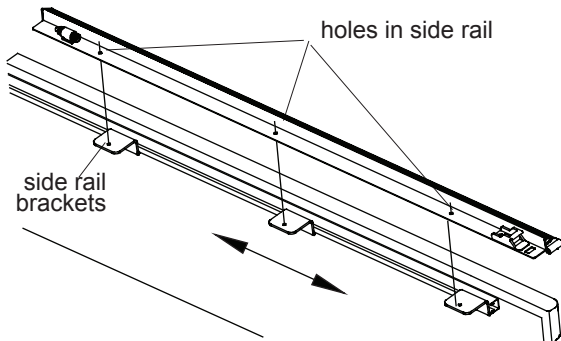
STEP 1: Insert clamp assemblies into utility rails, three on each side of pickup bed.



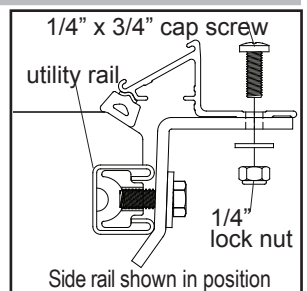
STEP 2: Fasten side rail brackets to clamp assemblies with 5/16" nylon lock nuts and flat washers. Do not tighten.



STEP 3: Set side rails on side rail brackets. Adjust brackets to align with holes in side rails.

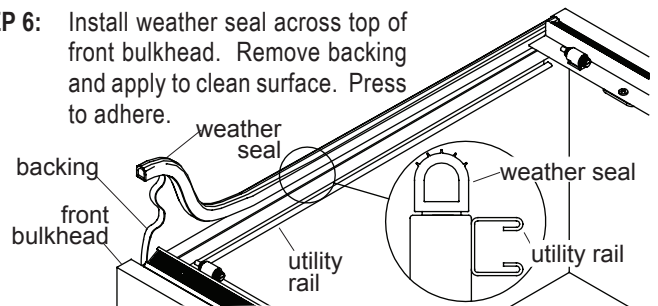


STEP 4: Fasten side rail to brackets with 1/4" cap screws, flat washers, and nylon lock nuts.

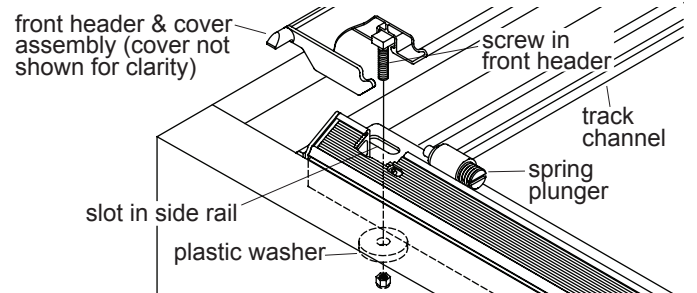


STEP 5: Repeat on opposite side. Tighten screws and nuts.

STEP 6: Install weather seal across top of front bulkhead. Remove backing and apply to clean surface. Press to adhere.



STEP 7: Front header: Back spring plunger out. Set cover assembly across cab end of side rails. Insert screws in front header through slots in side rails. Secure with plastic washers and lock nuts - do not over tighten. Header must be free to slide.



TruXedo, Inc.

P.O. Box 1078, 2209 Kellen Gross Dr., Yankton, South Dakota 57078

Call Toll Free: 1-877-TRUXEDO (1-877-878-9336) Fax: (605) 664-9304 Visit Us Online: <http://www.truxedo.com>

P/N 1117058 Rev. C

TRUXEDO®
Lo-Pro QT