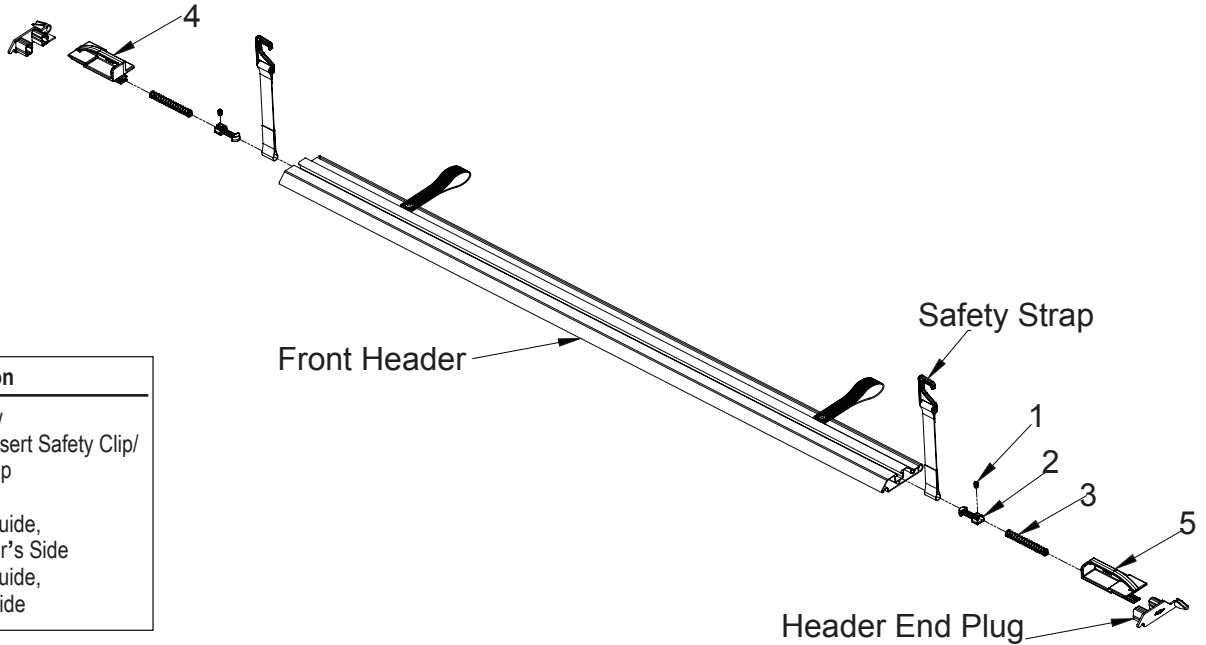


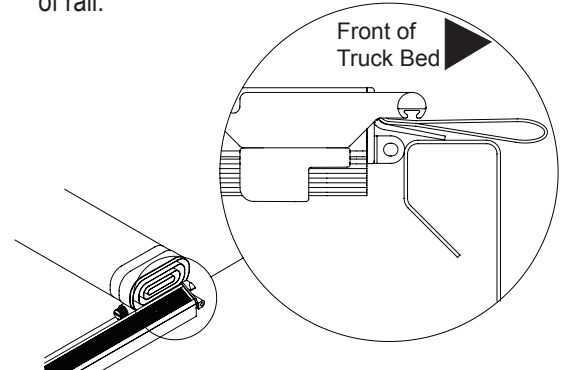
QT HEADER GUIDE INSTALLATION



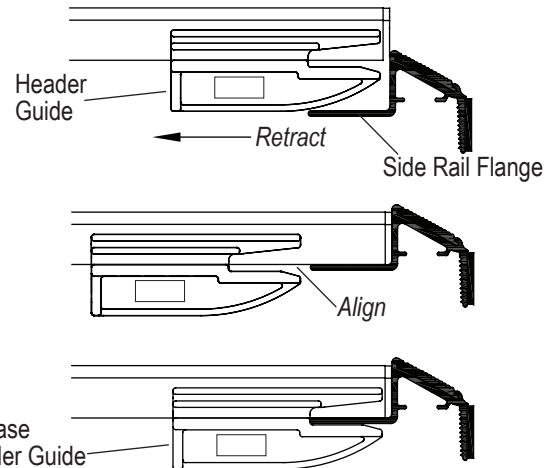
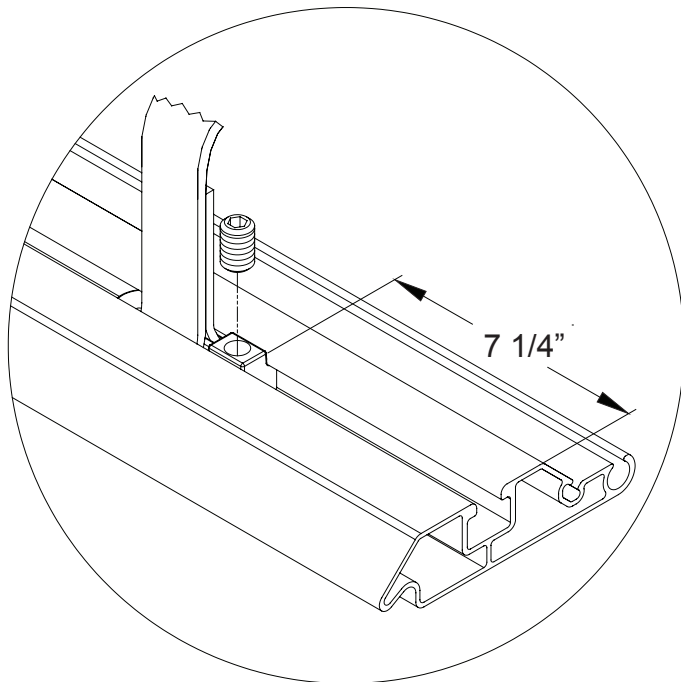
Item	Part #	Description
1.	1703895	Set Screw
2.	1703832	Header Insert Safety Clip/ Guide Stop
3.	1703846	Spring
4.	1703831	Header Guide, Passenger's Side
5.	1703830	Header Guide, Driver's Side

- STEP 1:** Roll up cover, loosen header guides, remove cover. (Refer to Owner's Manual.)
- STEP 2:** Remove header end plugs, slide old header guides, square nut and safety straps out of front header.
- STEP 3:** Slide header insert into safety strap and locate 7 1/4" from ends (see figure below). Tighten set screw, slide in spring, followed by header guide. Re-install header end plugs.

- STEP 4:** Set cover assembly behind cab with header seal on top of rail.



- STEP 5:** Retract spring-loaded header guides. Align header with side rail and release header guides for automatic engagement with side rail. Check to assure header guides are fully engaged with side rail.



by TruXedo, Inc.

P.O. Box 1078, 2209 Kellen Gross Dr., Yankton, SD 57078

Phone: 877- 878-9336 • Fax: (605) 664-9304 www.truxedo.com

TRUXEDO
Lo-Pro QT
Patented

P/N 1117002 Rev. B