



C2644 Installation Instructions 2007-2013 Chevy 1/2 Ton 4wd Pickup 6.5" Strut Spacer Suspension System

Read and understand all instructions and warnings prior to installation of product and operation of vehicle.

Zone Offroad Products recommends this system be installed by a professional technician. In addition to these instructions, professional knowledge of disassembly/ reassembly procedures and post installation checks must be known. Minimum tool requirements include the following: Assorted metric and standard wrenches, hammer, hydraulic floor jack and a set of jack stands. See the "Special Tools Required" section for additional tools needed to complete this installation properly and safely.

» PRODUCT SAFETY WARNING

Certain Zone Suspension Products are intended to improve off-road performance. Modifying your vehicle for off-road use may result in the vehicle handling differently than a factory equipped vehicle. Extreme care must be used to prevent loss of control or vehicle rollover. Failure to drive your modified vehicle safely may result in serious injury or death. Zone Offroad Products does not recommend the combined use of suspension lifts, body lifts, or other lifting devices.

You should never operate your modified vehicle under the influence of alcohol or drugs. Always drive your modified vehicle at reduced speeds to ensure your ability to control your vehicle under all driving conditions. Always wear your seat belt.

» TECHNICAL SUPPORT

Live Chat provides instant communication with Zone tech support. Anyone can access live chat through a link on www.zoneoffroad.com.

www.zoneoffroad.com may have additional information about this product including the latest instructions, videos, photos, etc.

Send an e-mail to tech-zone@sporttruckusainc.com detailing your issue for a quick response.

888.998.ZONE Call to speak directly with Zone tech support.

» PRE-INSTALLATION NOTES

1. Special literature required: OE Service Manual for model/year of vehicle. Refer to manual for proper disassembly/reassembly procedures of OE and related components.
2. Adhere to recommendations when replacement fasteners, retainers and keepers are called out in the OE manual.
3. Larger rim and tire combinations may increase leverage on suspension, steering, and related components. When selecting combinations larger than OE, consider the additional stress you could be inducing on the OE and related components.
4. Post suspension system vehicles may experience drive line vibrations. Angles may require tuning, slider on shaft may require replacement, shafts may need to be lengthened or trued, and U-joints may need to be replaced.
5. Secure and properly block vehicle prior to installation of Zone Offroad Products. Always wear safety glasses when using power tools.
6. If installation is to be performed without a hoist, Zone Offroad Products recommends rear alterations first.
7. Due to payload options and initial ride height variances, the amount of lift is a base figure. Final ride height dimensions may vary in accordance to original vehicle attitude. Always measure the attitude prior to beginning installation.

Difficulty Level

easy 1 2 3 **4** 5 difficult

Estimated installation: 7-9 hours

Special Tools Required

Reciprocating Saw or Equivalent

36mm Axle Socket

Tire/Wheel Fitment

6.5" Lift:

35 x 12.50 on 17x9, 18x9 w/ 5" BS

35 x 12.50 on 20x9 w/ 5.75" BS

33 x 12.50 on 17x8 w/ 4.5" BS

Kit Contents

Box Kit ZONC2643

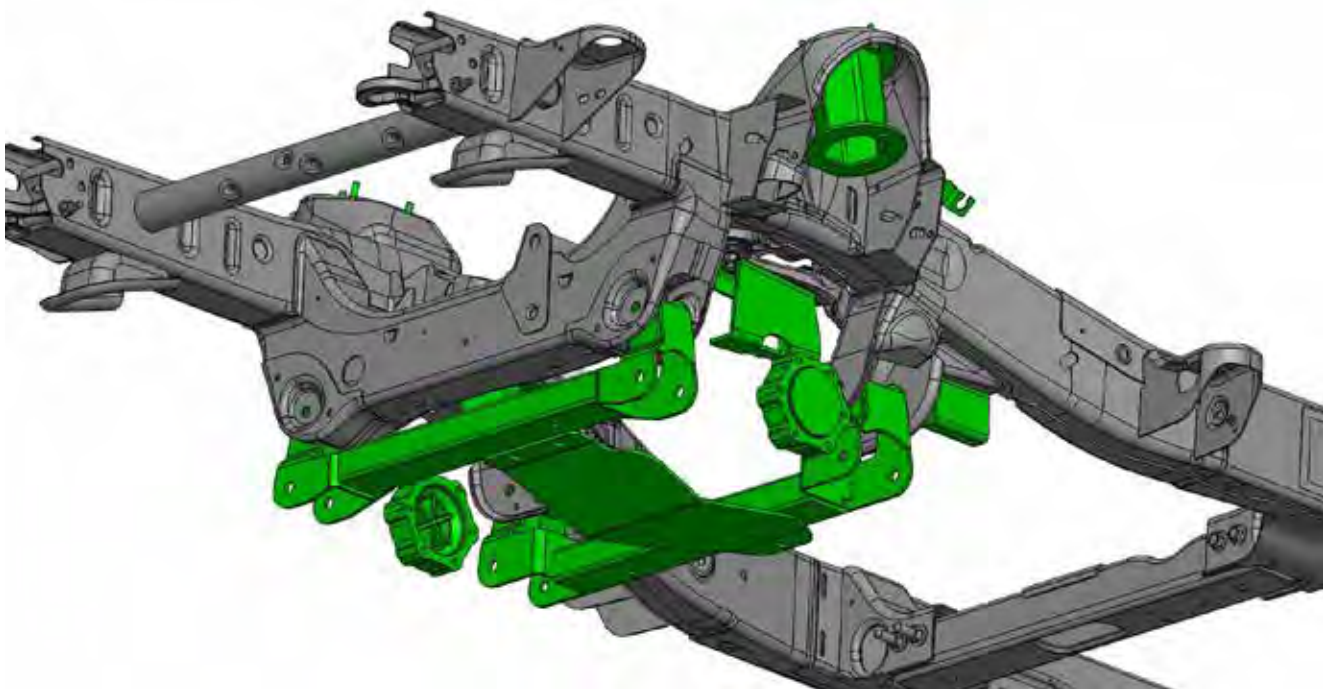
Qty	Part
1	Steering Knuckle - Drv
1	Steering Knuckle - Pass
1	Front Brake Line Bracket - Drv
1	Front Brake Line Bracket - Pass
1	Rear Brake Line Bracket
2	Sway Bar Drop Bracket
1	Bolt Pack 628 - Bump Stop/Brake Bracket
1	5/16" x 1 bolt
1	5/16" lock nut
2	5/16" SAE washer
2	10mm x 110mm Allen head bolt
1	Bolt Pack 621 - Crossmembers
2	5/8"-11 x 4-1/2" bolt
2	5/8"-11 x 5-1/2" bolt
4	5/8"-11 lock nut
8	5/8" SAE washer
1	Bolt Pack 643 - Crossmembers
4	10mm-1.50 x 130mm bolt class 10.9 clear zinc
4	10mm flat washer clear zinc
4	Wire Clip
2	1/4"-20 x 3/4" type 23 self tapping bolt
2	5/16"-18 x 3/4" bolt
2	5/16"-18 prevailing torque nut
4	5/16" SAE flat washer
3	1/2"-13 x 1-1/4" bolt
7	1/2" SAE flat washer
2	1/2"-13 x 3" bolt
2	1/2"-13 Prevailing torque nut
7	Cable Tie

Box Kit ZONC2644

Qty	Part
1	Front Crossmember
1	Rear Crossmember
1	Differential Drop Bracket - Drv
1	Differential Drop Bracket - Pass
1	Differential Skid Plate

Box Kit ZONC2645

Qty	Part
2	CV Spacer
1	Bolt Pack 568 - CV Spacers
12	10mm-1.5 x 70mm SHCS
1	Loctite
2	5" Lift Block
4	9/16" x 2 9/16" x 12-1/2" U-Bolt w/nuts & washers
2	Rear Bump Stop Extension
2	Strut Top Spacer
1	Bolt Pack 629 - Strut Spacers
6	10mm-1.50 lock nut
6	3/8" USS washer
2	Sway Bar Drop
1	Bolt Pack 644 - Diff. Brackets / CV Spacers
4	1/2"-13 x 1-3/4" bolt
4	1/2"-13 prevailing torque nut
6	1/2" SAE washer thru-hardened
2	1-3/8"OD x 1/2"ID x 3/16" washer
12	10mm-1.5 x 70mm bolt
12	10mm flat washer



INSTALLATION INSTRUCTIONS

» PRE-INSTALLATION NOTES

1. All wheel drive models required front driveline modification.
2. Will not fit 2007 Classic models.
3. To reduce trimming required, 20" wheels with 5-1/2"-5-3/4" backspacing recommended.
4. Add-a-leaf option recommended for crew cab models for a more level stance. (part # C6159)
5. Will not fit 2009-12 tow mode hybrid models with electronic power steering.

» FRONT INSTALLATION

1. Park the vehicle on a clean, flat surface and block the rear wheels for safety.
2. Disconnect the positive and negative battery cables from the battery.
3. Raise the front of the vehicle with a hydraulic jack and support the frame with jack stands just behind the rear lower control arm pocket. Remove the wheels.
4. Disconnect the ABS line from the connector on the frame **Figure 1**. Remove the ABS line from the retaining clips at the frame, upper control arm and knuckle.
5. Disconnect the brake line bracket from the upper control arm **Figure 1**. Save bolt.



Figure 1

6. Remove the tie rod end nut and disconnect the steering from the knuckle **Figure 2**. Strike the knuckle near the tie rod end with a hammer to dislodge it. Save the mounting nut.

Important—measure before starting!

Measure from the center of the wheel up to the bottom edge of the wheel opening

LF _____ RF _____

LR _____ RR _____

Step 6 Note

Do not strike the tie rod end with the hammer, only the knuckle.

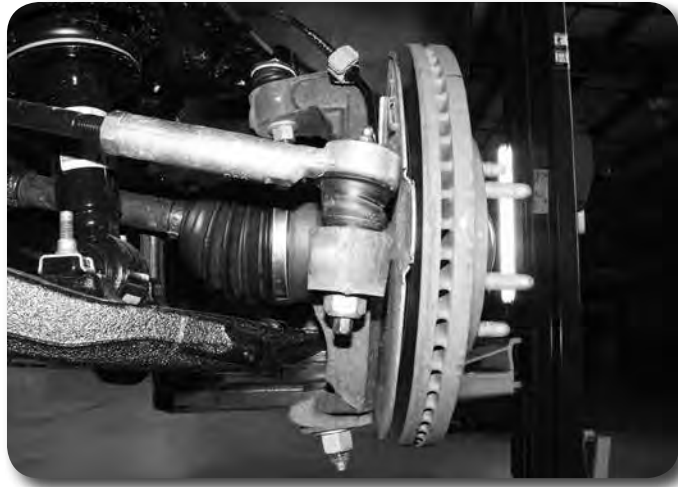


Figure 2

7. Remove the two brake caliper mount bolts and remove the caliper assembly from the knuckle **Figure 3**. Hang the caliper securely out of the way. **DO NOT** hang the caliper by the brake hose. Save caliper bolts.

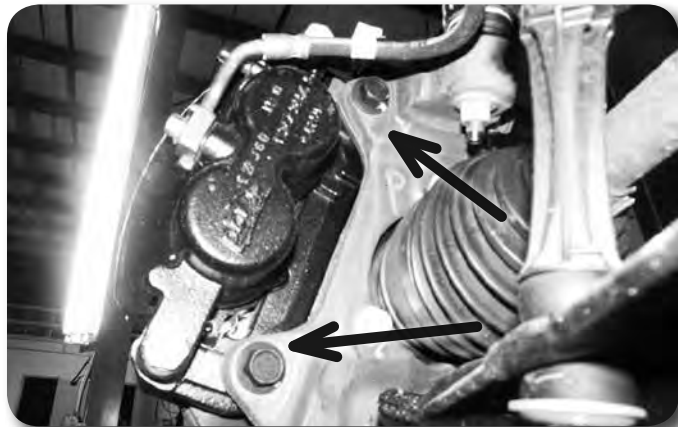


Figure 3

8. Remove the hub dust cap **Figure 4**. Remove the axle shaft nut. Retain nut and cap.



Figure 4

9. Remove the sway bar links from the sway bar and the lower control arm **Figure 5**. Save the links, bushings and hardware.

Step 8 Note

Use a small chisel and hammer to carefully separate the edge of the cap from the hub. Work around the circumference of the cap. The axle nut will require a 36mm socket.



Figure 5

10. Remove the sway bar from the frame by removing the four bushing cap mounting bolts Figure 6. Save all sway bar components.



Figure 6

11. Mark each of the front strut bodies to indicate driver's versus passenger's side. Make the marks on the side of the strut that is facing out.
12. Support the lower control arm with a jack. Remove the lower strut mount bolts Figure 7. Save bolts.



Figure 7

13. Remove the CV shaft mounting flange bolts **Figure 8**. Mark the shaft to indicate driver's or passenger's side. Bolts will not be reused.



Figure 8

Step 14 Note

Do not strike the ball joints; only the knuckle.

14. Remove the upper and lower ball joint nuts and thread back on by hand a couple of turns. Strike the knuckle near the upper and lower ball joints to dislodge them from the knuckle. Remove the upper ball joint nut and lower the lower control arm down. Remove the CV shaft from the hub and set aside. Remove the lower ball joint nut and remove the knuckle assembly from the lower control arm. Save ball joint nuts.
15. Remove the three upper strut mounting nuts **Figure 9** and remove the strut from the vehicle. **DO NOT** remove the center strut rod nut, it is under extreme pressure. Save nuts.

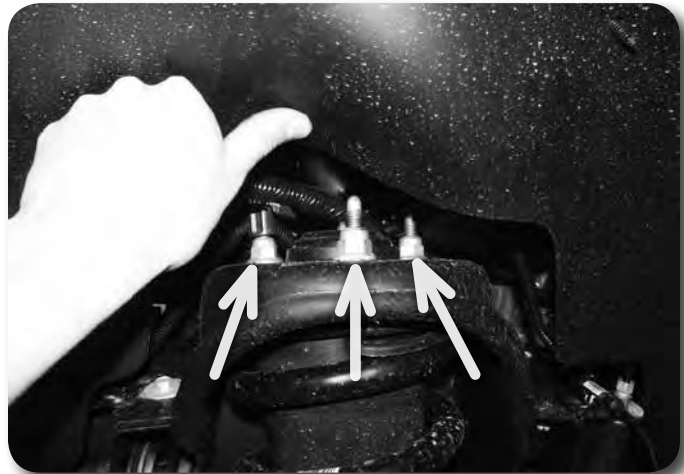


Figure 9

16. Remove the front and rear lower control arm mounting bolts and remove the lower control arm from the vehicle. Save mounting hardware and control arms.
17. Disconnect the differential actuator wire connector from the actuator **Figure 10**. Remove the three wire harness clips holding the actuator harness to the differential housing.



Figure 10

18. Disconnect the differential breather hose Figure 11.

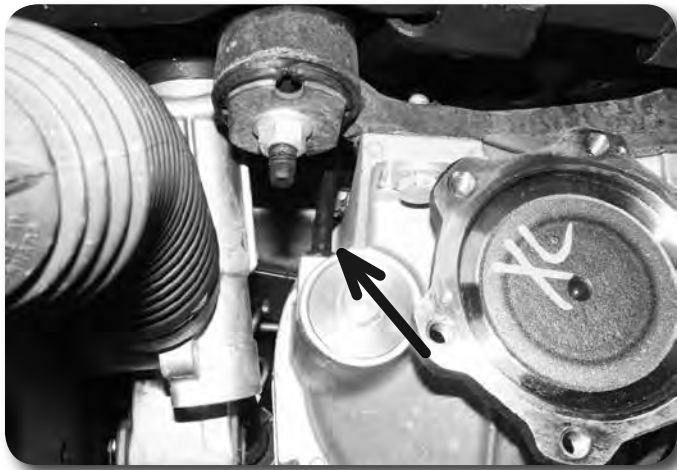


Figure 11

19. Make an alignment mark to show the relationship between the front driveshaft and the differential input flange. Remove the four driveshaft bolts and disconnect the driveshaft from the differential. Save bolts.
20. Remove the four bolts and the factory rear crossmember from the vehicle Figure 12. Crossmember and hardware will not be reused.



Figure 12

Step 21 Note

We highly recommend having an assistant to help with removal of the front differential.

21. Support the front differential with an appropriate jack. Remove the two driver's side differential mounting bolts **Figure 13** and the two passenger's side mounting nuts **Figure 10**. Carefully lower the differential to the ground. Save mounting hardware.



Figure 13

Step 22 Note

A putty knife and parts cleaning solvent work well to remove undercoating.

22. The driver's side rear lower control arm pocket must be cut to provide clearance for the front differential in the relocated position. The entire area needs to be cleaned of any oil, grease and/or undercoating. These coatings are flammable.
23. Measure from the inside of the driver's side control arm pocket out 3-1/2" and mark. Repeat this measurement on the opposite side of the pocket. Make vertical cut lines at the 3-1/2" mark up both front and back faces of the pocket **Figure 14**.

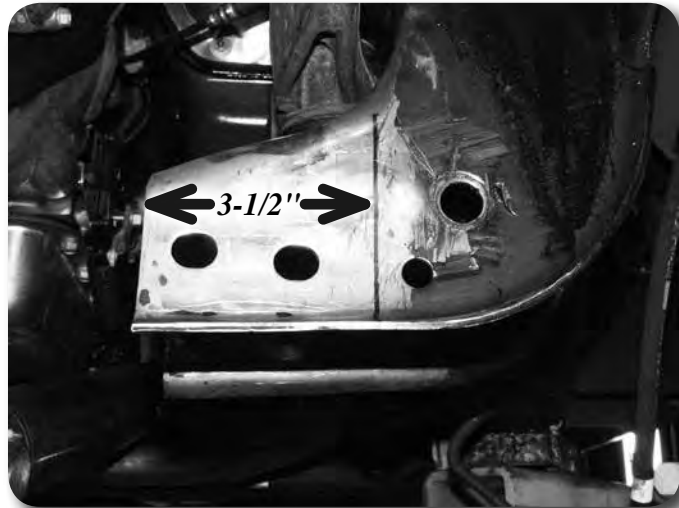


Figure 14

Step 24 Note

Measure twice, cut once!!!

24. Make a vertical cut along each of the cut lines on the front and back faces of the control arm pocket with a reciprocating saw (recommended), cut-off wheel or plasma cutter. Be careful, the undercoating on the frame is flammable and can melt and drip off the frame. Keep an appropriate fire extinguisher near by.
25. With the vertical cuts complete, cut the top portion of the pocket by connecting the two cuts **Figure 15**. Paint all exposed metal to prevent corrosion.



Figure 15

26. Install the new driver's side differential bracket to the original mount with the factory bolts **Figure 16**. The bracket surface with 3 holes in it goes to the OE mount and the open face points toward the inside of the vehicle. Torque bolts to 65 ft-lbs.



Figure 16

27. Install the new passenger's side differential bracket to the original mounting studs with the factory nuts **Figure 17**. The bracket mounting surface with 3 holes in it goes to the frame and the open face toward the inside of the vehicle. Torque nuts to 65 ft-lbs.

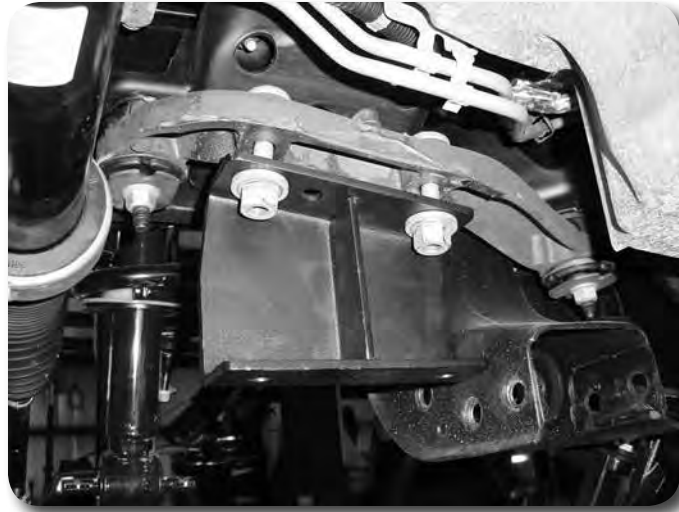


Figure 17

28. The small corner of the differential housing needs to be slightly trimmed **Figure 18** to provided adequate clearance to the control arm when installed. Only about 1/4" of material needs to be removed along the length of the corner. The trimming can be done with a reciprocating saw, hack saw or grinder. Measure from the top corner and mark 1/4" in both directions. Extend the cut lines down along the housing.

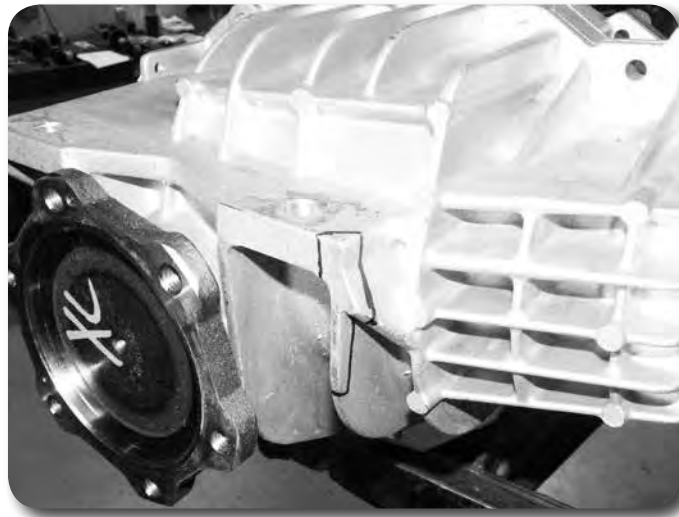


Figure 18

Step 29 Note

Hardware for the differential drop brackets is located in hardware pack #644.

29. Using an appropriate jack, install the differential in the vehicle by attaching it to the new driver's and passenger's differential brackets. Fasten the differential to the brackets with 1/2" x 1-3/4" bolts, nuts and washers. Use two 1/2" SAE washers on each bolt for the driver's side. Use one 1/2" SAE washer and one extra large 1/2" washer on the passenger's side. The extra large washer will go against the differential housing flange with the large slots **Figures 19**. Torque the 1/2" hardware to 65 ft-lbs. Pull the differential forward as the passenger's side bolts are tightened.

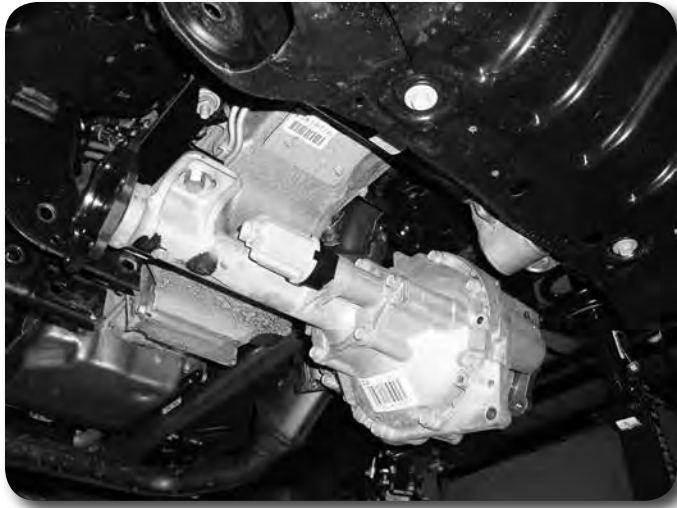


Figure 19

30. Reconnect the differential actuator wiring. Reattach the wire to the differential housing with the provided wire ties.
31. Reconnect the differential breather line. The line will need to be removed from retaining clips above to gain slack.
32. Reconnect the front drive shaft to the differential with the original hardware. Torque bolts to 19 ft-lbs.
33. Install the new rear crossmember with the factory lower control arm bolts, nuts and washers. When installed the rectangular cross tube should offset closer to the rear of the vehicle **Figure 20**. Run the bolts from front to rear. Leave hardware loose.
34. Install the front crossmember in the control arm pockets with the factory lower control arm bolts, nuts and washers. When installed the offset in the crossmember ends should be toward the front of the vehicle **Figure 20**. Run bolts from front to rear. Leave hardware loose.

Step 31 Note
The breather line may need to be accessed through the engine compartment to be rerouted for more slack.



Figure 20

35. Attach the provided differential skid plate to the front crossmember with two 1/2" x 1-1/4" bolts and washers in the threaded holes and one 1/2" x 3" bolt, nut and washers through the hole in the rear crossmember. **Figure 21**. Use Loctite on all skid plate bolts in the front crossmember. Leave hardware loose.

Step 35 Note
Hardware for the differential skid plate is located in hardware pack #643.



Figure 21

36. Install the OE lower control arms in the new crossmembers and fasten with 5/8" x 4-1/2" (front) and 5/8" x 5-1/2" (rear) bolts, nuts and 5/8" SAE washers. Run the bolts from front to rear. Leave hardware loose.
37. With the crossmembers, control arms, and skid plate installed, torque the crossmember mounting bolts to 125 ft-lbs and the skid plate hardware to 65 ft-lbs.
38. Locate the factory strut assemblies that were removed earlier. Place strut spacer on top of strut with new 10mm nuts and washers. Tighten to 40 ft-lbs.
39. Install the new strut assembly to the appropriate frame mount with the original nuts. Leave hardware loose.
40. Swing the lower control arm up to the strut and fasten it with the original mounting bolts. Torque lower and upper strut hardware to 40 ft-lbs.
41. Remove the hub bearing/rotor assembly and brake dust shield from the factory steering knuckles. Be sure to note which hub goes on which side of the vehicle. Save mounting bolts.
42. The brake dust shield needs to be trimmed. Measure in from the lower vertical edge (opposite the ABS sensor location) 3/4" and make a vertical cut line along the entire flat section **Figure 22**. Cut the mark section off of the brake dust shield.

Step 38 Note

Strut Spacer 10mm hardware is in bolt pack #629. Tighten to 40 ft-lbs.

Step 41 Note

Be sure the strut is oriented properly in the vehicle. When attached to the lower control arm the bar pin should be relatively flush to the lower control arm mounting surface.

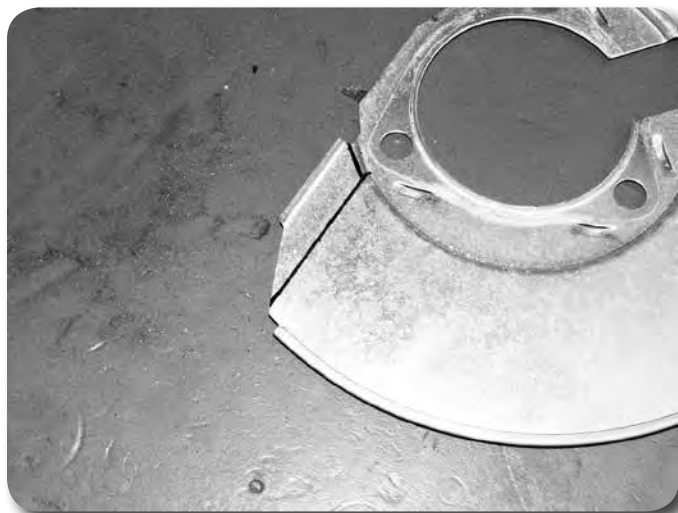


Figure 22

43. Install the modified dust shield and hub/rotor in the corresponding new knuckles. Fasten the hub/shield with the OE bolts. Apply Loctite to the bolt threads and torque to 133 ft-lbs. Be sure that the ABS line is run properly through the dust shield and out above the steering arm on the knuckle.
44. Install the assembled knuckle on the lower control arm with the original lower ball joint nut. Attach the knuckle to the upper control arm with the original upper ball joint nut. Torque the upper ball joint nut to 37 ft-lbs and the lower ball joint nut to 74 ft-lbs **Figure 23**.



Figure 23

45. Install the factory CV axle shaft into the hub and fasten with the original nut/washer and torque to 155 ft-lbs. Install dust cap.
46. Position the provided CV spacer between the CV shaft and the differential mounting flange. Fasten the CV and spacer to the differential flange with 10mm x 70mm bolts and 10mm washers. Use Loctite on the bolt threads and torque to 45 ft-lbs using a crossing pattern.
47. Working on one side at a time, remove the tie rod end from the steering link **Figure 24**. Trim 1/2" off of both the tie rod end and the steering link **Figure 25A & B**. This will allow for proper alignment adjustment once the kit is complete. Once the two pieces are trimmed, clean the ends of the threads and reinstall the tie rod end on the steering link. Repeat on other side of the vehicle.



Figure 24

Step 44 Note

To make connecting the upper ball joint easier, loosen the upper control arm cam bolts at the frame and rotate the cams to shift the control arm outward.

Step 46 Note

Hardware for the CV spacers is located in hardware pack #644.

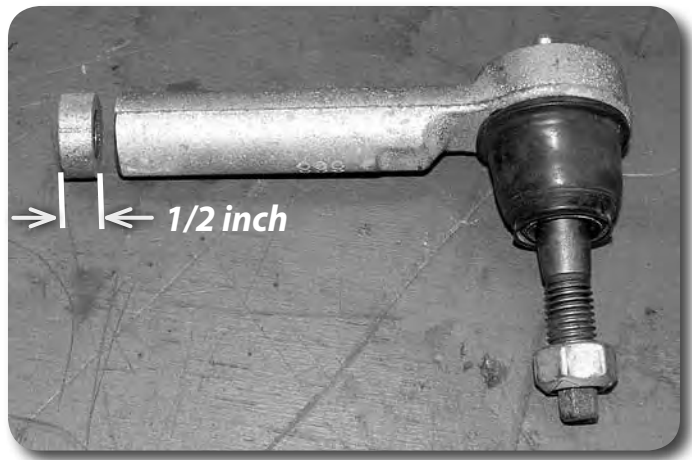


Figure 25A

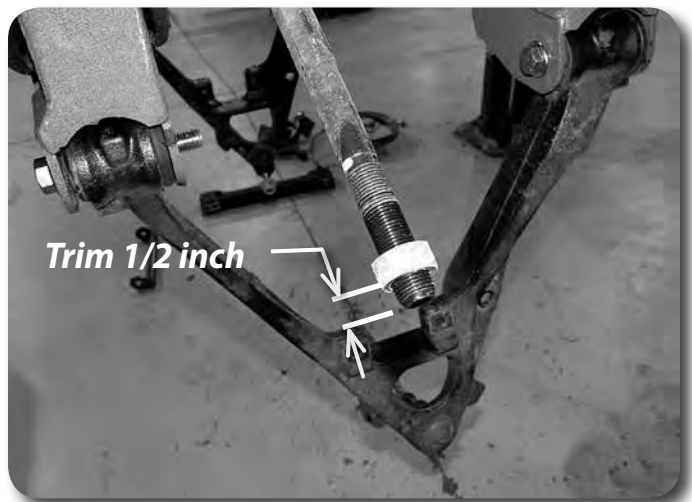


Figure 25B

Step 48 Note

To avoid having to bleed the brakes, it is possible to cut the factory bracket to remove the brake line, using care not to damage the brake line. Disconnect the brake line if you are not comfortable cutting the bracket.

Step 50 Note

It may be easier to remove the brake line from the bracket by removing it from the vehicle completely and holding the bracket in a bench vise. If the brake line is removed, the system will need to be bled.

48. Disconnect the factory rubber brake line from the hard line at the frame. Remove the retaining clip and remove the brake line from the bracket. Disconnect the bracket from the frame. Save hardware.
49. Attach the caliper to the new steering knuckle with the original mounting hardware. Torque bolts to 125 ft-lbs.
50. Carefully remove the metal retainer bracket from the factory rubber brake line. This can be done with two vice grips, pliers, or crescent wrenches.
51. Attach the provided brake line bracket to the upper control arm mount using the original mounting bolt so the bracket tab fits in the frame hole. **Figure 26** Leave hardware loose.

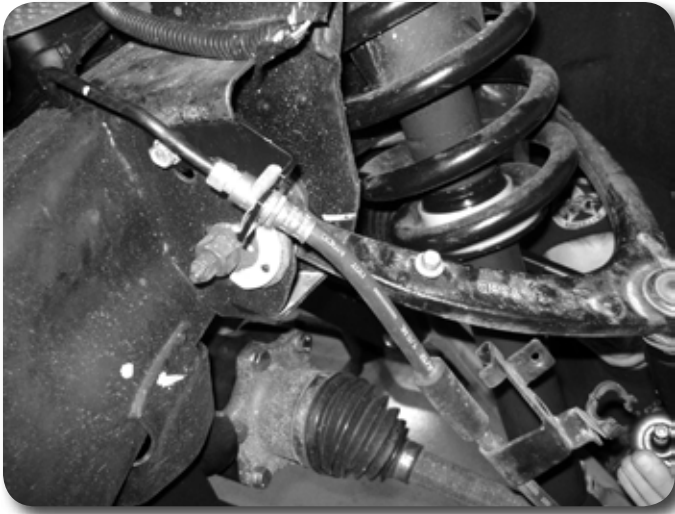


Figure 26

52. Carefully reform the brake hard line down near the new bracket. Using the factory clip. Retain the brake line to the bracket.
53. With the brake line installed go back and torque the new brake line bracket to 20 ft-lbs.
54. Attach the ABS line to the upper control arm with the original brake line mounting bolt and provided wire clamp. Figure 26

Step 54 Note

Hardware for the brake line clamps is located in hardware pack #643.

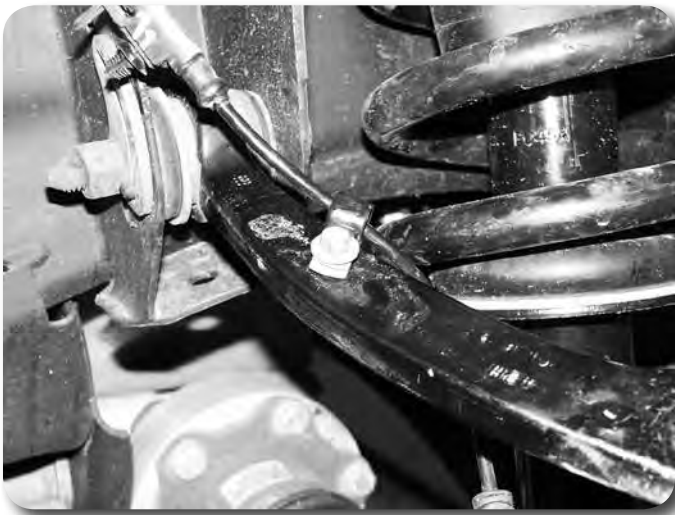


Figure 27

55. Reconnect ABS line at the frame. Attach the ABS line to the steering knuckle with the provided wire clamps and $\frac{1}{4}$ " x $\frac{3}{4}$ " self tapping bolt and flat washer. Torque bolt to 15 ft-lbs. Use zip ties to retain the remaining section of the ABS line as needed to keep it away from rotating objects Figure 28.



Figure 28

56. Locate the original sway bar link mounting hole on the lower control arm. Measure inward from the center on the hole 1-1/2" (toward the frame mount) and mark. Measure in from the back edge of the control near the first mark 3/4" and mark. Where the two marks cross drill a 5/8" hole Figure 29.

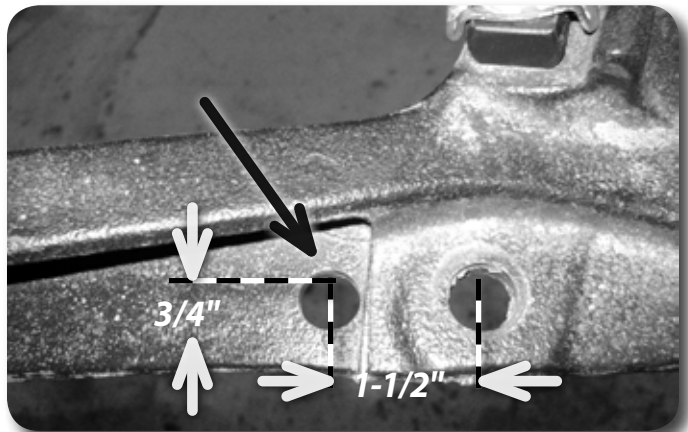


Figure 29

Step 57 Note

Hardware for the sway bar drops is located in hardware pack #643.

57. Attach the factory front sway bar to the original mounts in conjunction with the provided drop brackets and 10mm x 130mm bolts/washers. Use Loctite on the bolt threads and torque to 45 ft-lbs Figure 30.



Figure 30

58. Attach the original sway bar links and hardware to the sway bar end and new hole in the lower control arm **Figure 31**. Tighten the sway bar link until the bushings begin to swell.



Figure 31

59. Connect the steering tie rod ends to the knuckles with the factory tie rod end nuts. Torque to 60 ft-lbs. Tighten the tie rod end jam nuts securely. They will be adjusted during alignment.
60. Install the wheels/tires and lower the front of the vehicle to the ground. Torque lug nuts to 140 ft-lbs.
61. Bounce the front of the vehicle to settle the suspension. Torque the lower control arm mounting bolts to 150 ft-lbs. If the upper control arm cam bolts were loosened during the installation, center the cams and torque the bolts to 125 ft-lbs.
62. Check all hardware for proper torque.
63. Bleed the entire brake system. See service manual for proper brake system bleeding procedures.
64. Reconnect the battery cables to the battery.

» REAR INSTALLATION

1. Block the front wheels. Safely raise the rear of the vehicle and support with jack stands just ahead of the front leaf spring frame mount.
2. Remove the wheels.
3. Support the rear axle with a floor jack.
4. Disconnect the rear brake line bracket from the top of the differential **Figure 32**. Save hardware.

Step 4 Note

The bracket uses a captive bolt, meaning that it is loosely pressed into the bracket hole.

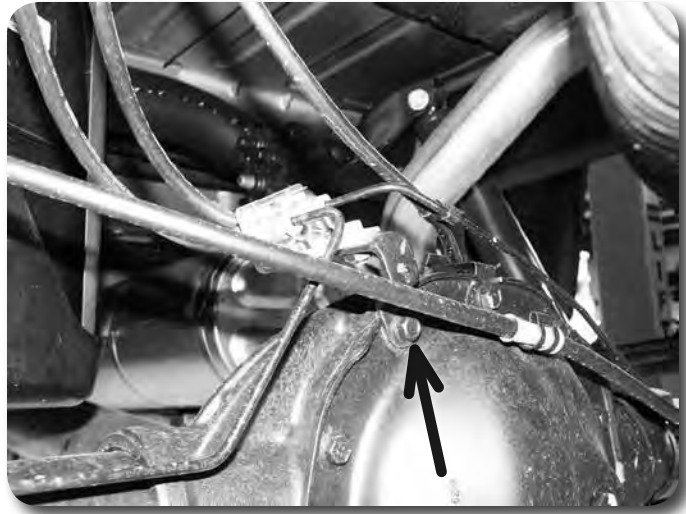


Figure 32

5. Remove the ABS lines from the retaining clip on the bottom of each frame rail. Also disconnect the ABS line connector from the top of the frame rail Figure 33.



Figure 33

6. Remove the driver's side parking brake cable brackets from the driver's side frame rail Figure 34.



Figure 34

7. Support the center of the axle with a hydraulic jack. Remove the factory shocks from the axle and frame. Save hardware and discard shocks.
8. With the axle still well support remove the passenger's side u-bolts. The u-bolts will not be reused. Slowly lower the axle and remove the factory block from the axle. The factory block will not be reused.

6.5" Lift ONLY: If installing the optional add-a-leaf kit #C6159, do so now following the instructions included in the kit. This portion of the installation should also be completed one side at time.

9. Lower the axle just enough to install the new provided lift block between the axle and the spring. Position the block so the male pin side is forward when compared to the female or top of the block. This will assist in shifting the axle forward. Align the pin in the block with the hole in the axle and the hole in the block with the leaf spring pin. It may be necessary to loosen the driver's side u-bolts slightly to allow the axle to lower far enough to install the block.
10. Using the support jack, raise the axle so that the axle, spring and block are all touching. Install the new provided u-bolts, nuts and washers allow with the factory u-bolt plate **Figure 35**. Snug u-bolts but do not tighten.

Step 9 Note

The hole in the factory axle mount may need to be clearanced slightly for proper pin fitment.



Figure 35

11. Repeat the installation on the driver's side of the vehicle. Pay special attention to all of the brake lines and wires. Do not allow them to get over-extended.

- Remove the rear rubber bump stops from the frame **Figure 36**. Access the bolt head up through the center of bump stop. Install the provided 3" diameter x 3" tall spacer between the bump stop and the frame mount with a 10mm x 110mm Allen head bolt (Loctite threads). Center the spacer on the lip of the factory bump stop cup and torque bolt to 35 ft-lbs **Figure 37**.



Figure 36



Figure 37

Step 13 Note

Hardware for the bump stop spacers is located in hardware pack #628.

Step 15 Note

Hardware for the brake line bracket is located in hardware pack #628.

- Locate the new rear shocks. Install the provided bushings and steel sleeves into the eyes of the shocks. Lubricating the bushings and sleeves with some grease will make installation easier.
- Install the new shocks with stock hardware and torque upper and lower bolts to 65 ft-lbs. The axle mounting tabs may need to be bent open slightly to allow for clearance of the larger diameter shocks. Also, check the clearance between the shock body and the brake line bolt (drv's side), this bolt may need to be trimmed.
- Install the provided straight 3" brake line bracket to the top of the differential using factory mounting hole and bolt which must be removed from the factory brake line bracket. Attach the factory brake line bracket to the relocation bracket with a 5/16" x 1" bolt, nut and washers. Torque the factory and 5/16" bolt to 20 ft-lbs **Figure 38**.

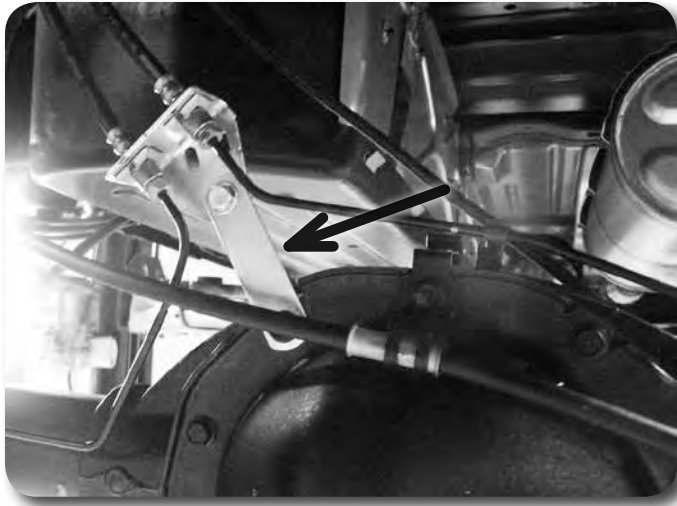


Figure 38

Recommend Alignment Specifications

CASTER

$3.30^{\circ} \pm 1.00^{\circ}$

CAMBER

$-0.10^{\circ} \pm 0.60^{\circ}$

TOE

$+0.10^{\circ} \pm 0.20^{\circ}$

Step 16 Note

Be sure the ABS wire will not contact the exhaust.

Post-Installation Warnings

1. Check all fasteners for proper torque. Check to ensure for adequate clearance between all rotating, mobile, fixed, and heated members. Verify clearance between exhaust and brake lines, fuel lines, fuel tank, floor boards and wiring harness. Check steering gear for clearance. Test and inspect brake system.
2. Perform steering sweep to ensure front brake hoses have adequate slack and do not contact any rotating, mobile or heated members. Inspect rear brake hoses at full extension for adequate slack. Failure to perform hose check/ replacement may result in component failure.
3. Perform head light check and adjustment.
4. Re-torque all fasteners after 500 miles. Always inspect fasteners and components during routine servicing.

16. Reconnect the ABS lines to the plastic retaining clip at the bottom of each frame rail. The connector will not be reattached to the top of the frame. Reroute the lines as necessary to gain proper slack.
17. Reconnect the parking brake cable brackets to the driver's side frame rail with the original hardware. The driver's side cable will have to be removed from the rear bracket to gain appropriate slack. Torque bolts to 20 ft-lbs.
18. Install wheels and tires. Torque lug nuts to 140 ft-lbs. Lower vehicle.
19. Bounce the rear of the vehicle to settle the suspension. Torque leaf spring u-bolts to 100-120 ft-lbs.

» POST INSTALLATION

1. Double check all fasteners for proper torque.
2. Check all moving parts for clearance.
3. Complete a full radius turning check to ensure that no interference occurs.
4. Align headlights
5. Double check the brake lines for adequate slack at full wheel travel.
6. Complete a vehicle alignment.
7. Check all fasteners after 500 miles.