

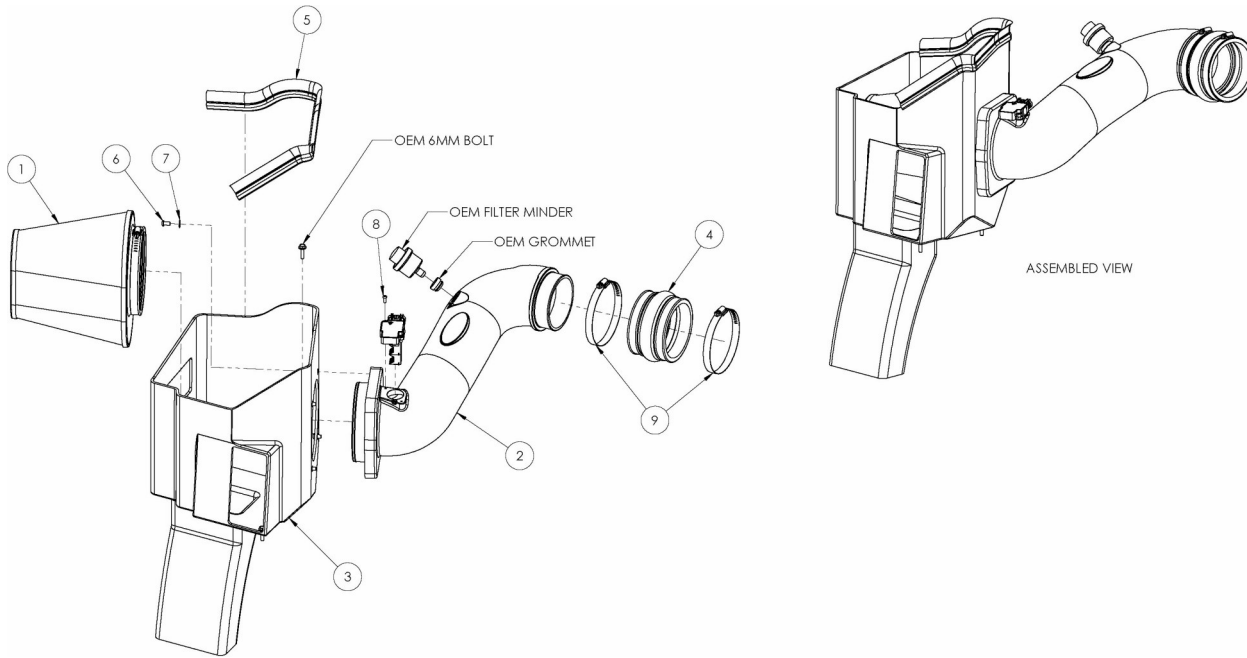


Installation Instructions

For Part Numbers:

200-281	720-472 Airaid Oiled Media Filter
201-281	721-472 SynthaMax Dry Media Filter - Red
202-281	722-472 SynthaMax Dry Media Filter - Black
203-281	723-472 SynthaMax Dry Media Filter - Blue

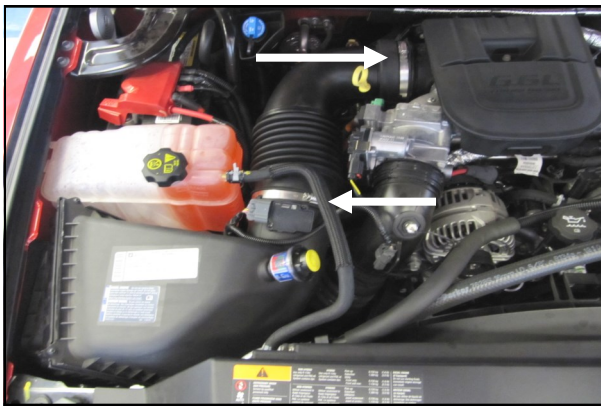
2011-12 Chevrolet Silverado 2500HD/3500HD
 2011-12 GMC Sierra 2500HD/3500HD
 6.6L V8 Duramax Diesel "LML"



Component Identification

1.	Airaid Premium Filter	1
2.	Airaid Intake Tube	1
3.	Cool Air Box	1
4.	Urethane Hump Hose	1
5.	Weather Strip 25"	1
6.	1/4 - 20 x 1/2" Button Head Bolt	4
7.	1/4" Flat Washer	4
8.	8-32 x 1/2" Button Head Screw	2
9.	#72 Hose Clamp	2
10.	T-20 Torx Bit	1
11.	Airaid Decal	2

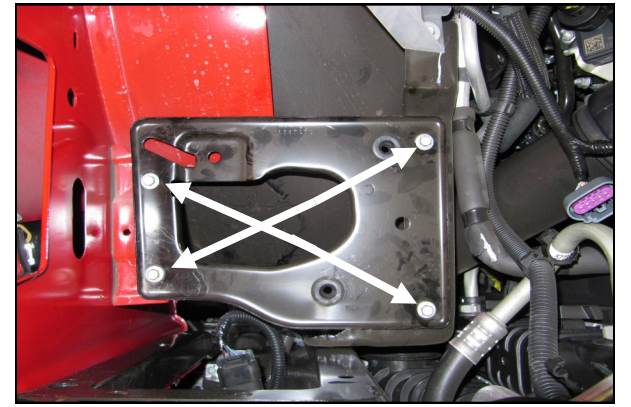
Full color instructions can be viewed on our web site at Airaid.com. Use the **Product Search** function to find your part number, and click **View Details**.



1. Disconnect the negative battery cables.
 Loosen the clamps on both ends of the factory intake tube and remove the tube from the vehicle.



2. Disconnect the Mass Air Flow sensor. Rotate the airbox assembly away from the fender to unseat it from the mounting grommets and remove the entire airbox assembly from the vehicle.



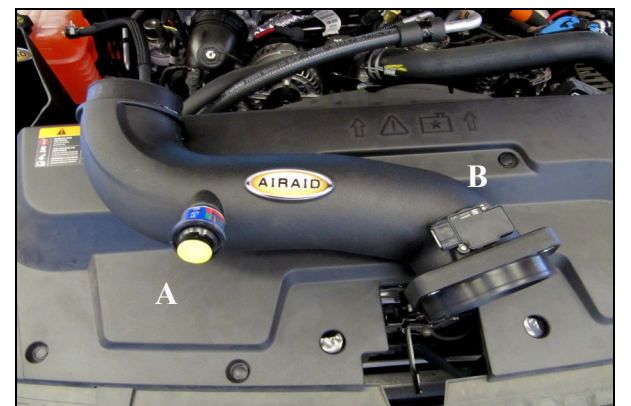
3. Using a 10mm socket, remove 4 bolts, and remove the factory air Box mounting plate.



4. Install the Airaid Cool Air Box (CAB) (#3) into the vehicle as shown. Reuse three of the factory bolts from step #3 to fasten the CAB to the inner fender. Leave the bolts loose for now.



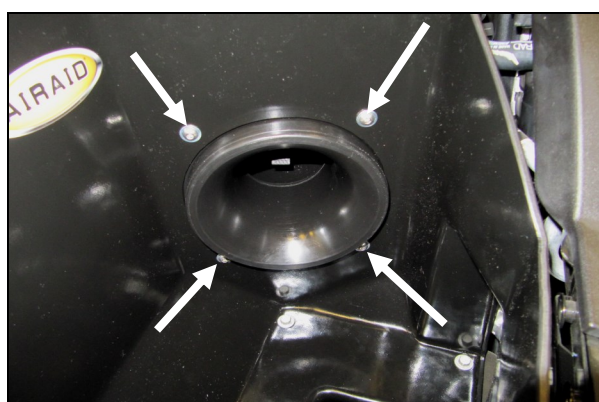
5. Install two #72 hose clamps (#9) onto the urethane hump hose (#4), and then slip the hump hose onto the end of the factory turbo intake tube as shown. Leave the clamps loose for now.



6. A.) Transfer the filter minder and grommet from the factory airbox into the Airaid Intake Tube (#2).
B.) Transfer the Mass Air Flow sensor into the Airaid intake Tube and secure using the two 8-32 x 1/2" Button Head Bolts (#6) **Do Not Use Factory Screws!** Apply the Airaid Bubble Decal onto the Intake Tube as shown.



7.) Insert the Airaid Intake Tube into the CAB first, and then into the hump hose. Apply the Airaid Bubble Decal inside the Airbox as shown.



8.) Install four 1/4" button head bolts (#6), and four flat washers (#7) thru the CAB to secure the Airaid Intake Tube. Now tighten the three bolts at the bottom of the CAB and the two hose clamps on the hump hose.



9.) Reconnect the Mass Air Flow sensor.



10. Install the Airaid Premium Filter (#1) onto the Intake Tube inside of the CAB.



11. Install the Weather Strip (#5) onto the Airaid Cold Air Box. (*Hint: Start from one corner and work your way around for ease of install.*)

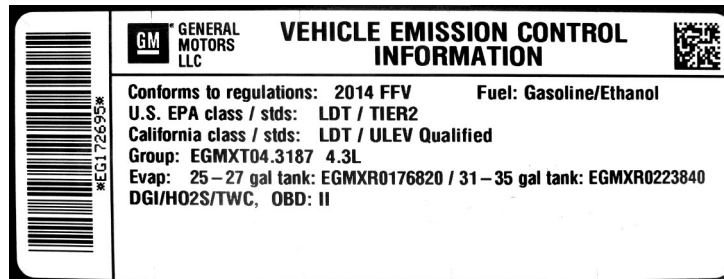


12. Congratulations on the successful install of your new Airaid Intake System!

Double check your work!

Make sure there is no foreign material in the intake path. Make sure all clamps, hoses, bolts, and screws are tight.

Reconnect the negative battery cables!



WARNING! If your vehicle has a Vehicle Emission Control Information decal affixed to the factory airbox, a new replacement label must be obtained and installed in a readily visible position in the engine compartment in order to remain CARB compliant. Failure to do so will prevent the vehicle from passing a smog check. Replacement labels can be ordered from your local dealership. Regulations state that the VECI label shall not be affixed to any equipment which is easily detached from the vehicle. Label placement, under the hood on a painted surface is recommended.

Thank you for purchasing the Airaid Intake System. Contact Airaid @ (800) 498-6951 8:00 AM - 5:00 PM MST weekdays for questions regarding fit or instructions that are not clear to you. Your Airaid Intake System was carefully inspected and packaged. Check that no parts are missing, or were damaged during shipping. If any parts are missing, contact Airaid. The air filter element is protected from direct exposure to water and debris; care should be taken not to drive through deep water. WATER INGESTION IS THE DRIVERS RESPONSIBILITY! The air filter is reusable and should be cleaned periodically.

FILTER IDENTIFICATION

720-472 Airaid Oiled Media
722-472 Airaid SynthaMax Dry Media - Black

721-472 Airaid SynthaMax Dry Media - Red
723-472 Airaid SynthaMax Dry Media - Blue

For your Oiled media filter we suggest using the AIRAID Filter Tune-Up Kit!



Do Not Oil



P/N 790-551 Aerosol Spray
P/N 790-550 Squeeze Spray



Synthamax Air Filters do not require oil. Service air filter as needed by cleaning with common non-petroleum all-purpose household cleaner and water. Simple Green®, Formula 409® or equivalent works great. Apply cleaner to outside of air filter and allow to soak. Then flush filter clean from the inside out with a garden hose and repeat steps if necessary. Do not apply high pressure water or air to clean filter. Allow filter to air dry and reinstall.