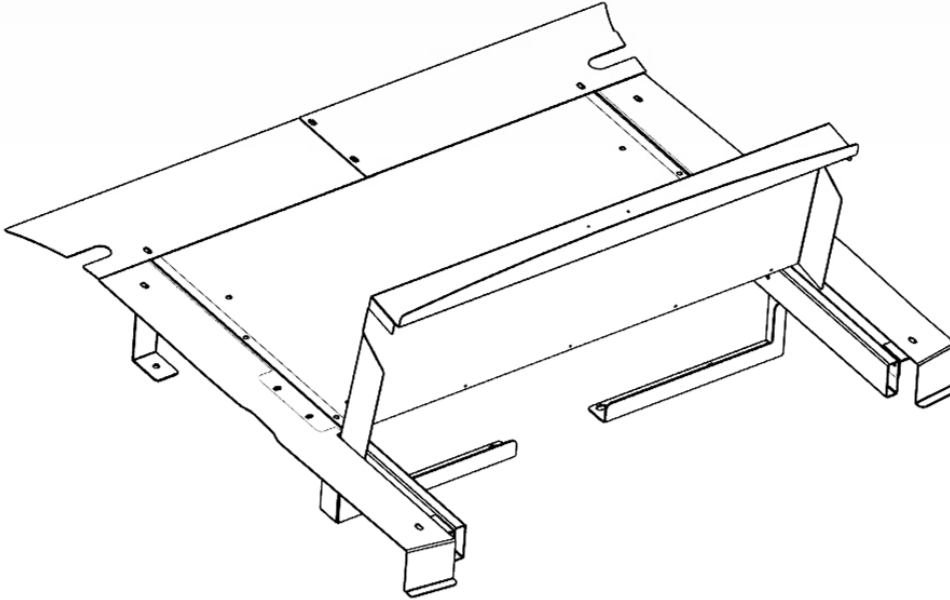


GO RHINO®

INSTALLATION INSTRUCTIONS



PART NO.

- 579716P

PRODUCT DESCRIPTION:

- False Floor & Electronics Tray

APPLICATION:

- Chevrolet Tahoe PPV

PRODUCT SAFETY & LEGAL DISCLAIMER

- **IMPORTANT READ ALL INSTRUCTIONS CAREFULLY BEFORE INSTALLING, FAILURE TO DO SO MAY CAUSE PERSONAL INJURY OR DAMAGE TO PRODUCT AND/OR PROPERTY.**
- **Review the product package and contents prior to beginning the installation.** Take care when opening the packaging and removing items. If a return is needed you will want to return the product in its original packaging if possible.
- This instruction guide is provided as a GENERAL installation guide, some vehicles vary dimensionally and may require additional steps.
- Test fit the product on the vehicle prior to any third party modifications and or finishing. The manufacturer and/or distributors do not accept responsibility for third party charges, labor and or third part replacement modifications. Some modifications may void the factory warranty.
- Exercise due-diligence when installing this product. The manufacturer and distributors of this product do not accept any responsibility for vehicle damage or personal injury resulting from the installation of this product. Careless installation and operation can result in serious injury or equipment damage.
- This product is for general off-road use. All liability for installation and use rests with the owner/operator.
- **INSTALLER:** Once installation is complete, please return this guide along with other documentation included in this product back to the consumer for future reference. The manufacturer/distributors of this product do not guarantee this particular version will be available at a later date.

© 2016 Go Rhino Products. All rights reserved

www.gorhino.com

589 W. Apollo St., Brea, CA 92821

P: 888 427 4466



INSTALLATION INSTRUCTIONS

INJURY HAZARD

Please complete a shop and tool inspection prior to beginning the installation.

- Always make sure you have a clean, dry and well lit work area.
- Always remove jewelry, loose fitting clothing and wear protective gloves and eye protection.
- Always use extreme caution when jacking or raising a vehicle for work. Set the emergency brake and use tire/wheel blocks and jack stands. Refer to the vehicle manufacturer hand book. Utilize the vehicle manufacturers designated lifting points.
- Always use appropriate and adequate care in lifting parts during disassembly and installation. Seek help in lifting heavy or large items into place. Utilize jacks and or lifting devices when available.
- Always insure products are secure during disassembly and installation.
- Always wear eye protection and take steps to protect any exposed skin during the installations. Drilling, cutting and grinding plastic and metal may create flying particles that can cause injury.
- Always use extreme caution when drilling, cutting and or grinding on a vehicle. Thoroughly inspect the area to be drilled, on both sides of material, prior to modification and relocate any objects that may become damaged.
- Always assemble and tighten all fasteners per the installation instructions.
- Always route electrical cables carefully. Avoid moving parts, parts that may become hot and rough or sharp edges.
- Always insulate and protect all exposed wiring and electrical connections.

MAINTENANCE AND CARE

- Always perform regular inspections and maintenance on mounts and related fasteners.
- Periodically check and tighten all fasteners.
- Stripped, fractured, or bent fasteners must be replaced.
- After washing the vehicle make sure to fully dry all surfaces.
- In areas with cold temperatures make sure to wash the product often to remove harmful materials used on road ways.
- Never use abrasive cleaners or polish compounds. Clean with a gentle soap and water. If you use wax use a non-abrasive automotive wax such as pure carnauba wax.

WARNING

Some products have been designed to work together with factory rear sensor systems, factory forward facing sensor systems and factory air bags.

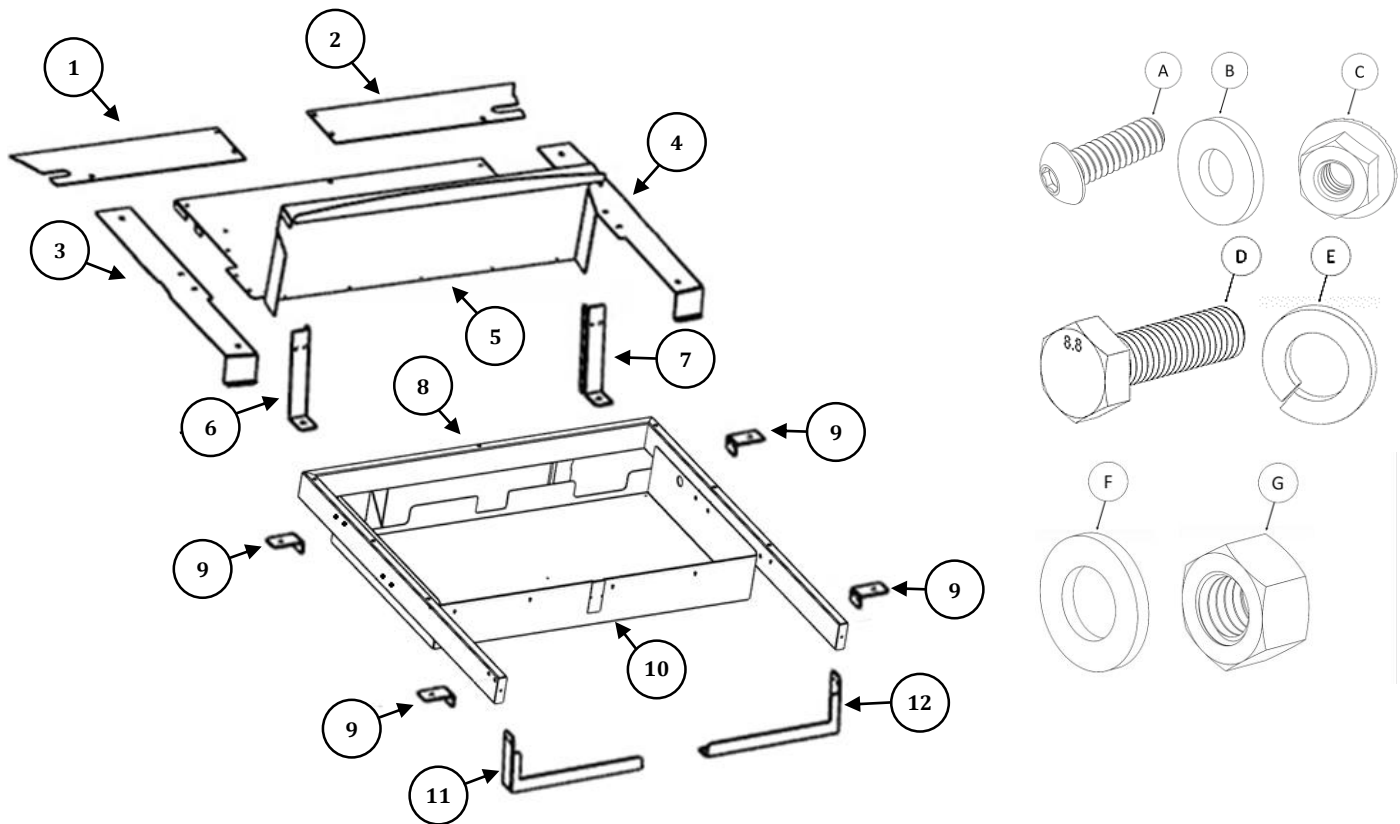
- Installation of some of these products may alter the factory sensor system performance.
- Factory sensors may read shackles or hooks protruding from the fairlead and or tow hooks.
- All sensor testing is completed by Go Rhino Products and or third party testing labs on modified vehicles.
- Sensor sensitivity, factory sensor housing, orientation, and operating conditions are all variables that will influence functionality of the sensors.
- Installation of some product may effect the factory air bag systems.
- Some products allow the use of third party products such as winches, shackles, hooks, etc. Follow the respective manufacturers operating instructions for use with our products.
- Make sure to fully understand the product, it's intended use and operation prior to use.
- Above all... be safe!

GO RHINO®

INSTALLATION INSTRUCTIONS

PARTS INCLUDED IN THIS LIST:

ITEM	QTY.	PART #	DESCRIPTION	ITEM	QTY.	PART#	DESCRIPTION	ITEM	QTY.	PART #	DESCRIPTION
1	1	5797166FA	Rear Filler Panel (driver)	7	1	5797160CA	Rear Bracket (passenger)	A	24	AST-T835G4	1/4"-20 x 3/4" Button Head Screw
2	1	5797166GA	Rear Filler Panel (passenger)	8	1	5797160AA	Frame Assembly	B	28	AST-RP21G4	1/4" Flat Washer
3	1	5797166DA	Side Filler Panel (driver)	9	4	5797166HA	Side Panel Bracket	C	4	AST-TU117G4	M6-1.0 Serrated Flange Locknut
4	1	5797166EA	Side Filler Panel (passenger)	10	1	5797356AA	Electronics Tray	D	2	AST-T93G4	M10-1.5 X 35 MM Hex Bolt
5	1	5797166AA	Cover & Lid Assembly	11	1	5797166IA	Front Bracket (driver)	E	2	AST-RPR60G4	M10 Lock Washer
6	1	5797160BA	Rear Bracket (driver)	12	1	5797166JA	Front Bracket (passenger)	F	2	AST-RP105G4	M10 Flat Washer
								G	2	AST-TU120G4	1/2"-13 Hex Nut



Go Rhino recommends you, the installer, read this installation instruction manual from front to back before installing the product.

TOOLS NEEDED FOR INSTALLATION:

- ✓ 5/16" Wrench
- ✓ 10mm & 17mm Metric Socket
- ✓ 5/64" & 5/32" Hex Key
- ✓ 5/32" Hex Bit Socket
- ✓ Ratchet & Ratchet Extension
- ✓ Tape Measure
- ✓ Drill Motor & 1" Hole Saw
- ✓ Razor Knife

ESTIMATED TIME FOR INSTALLATION:

2 hrs.

If you need installation service for your new product, call the authorized distributor from whom you purchased the product or an authorized installation service company which can be found by calling toll free 1-888-427-4466

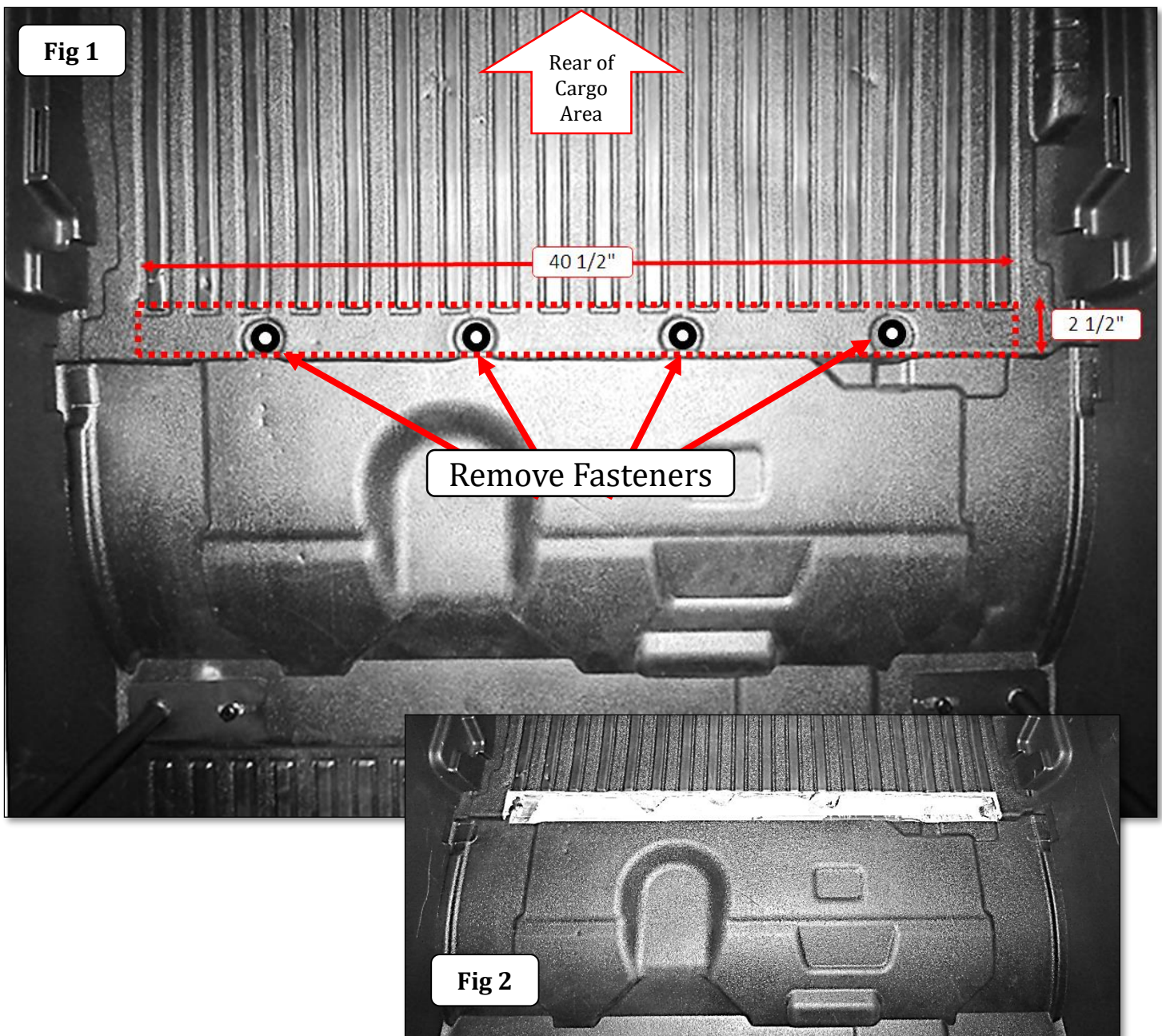
GO RHINO®

INSTALLATION INSTRUCTIONS

Note: this product requires installation of a molded rear prisoner seat, or single cell partition or cargo area partition.

Step-1 Fully complete the installation of the molded rear prisoner seat, single cell partition, or cargo area partition.

Step-2 Remove the (4) plastic fasteners securing the cargo area rubber floor covering. Measure and mark the outlined area shown, then using a razor knife cut and remove the rubber floor covering and pad to expose the (4) studs and cargo area floor, (Fig 1 & 2).

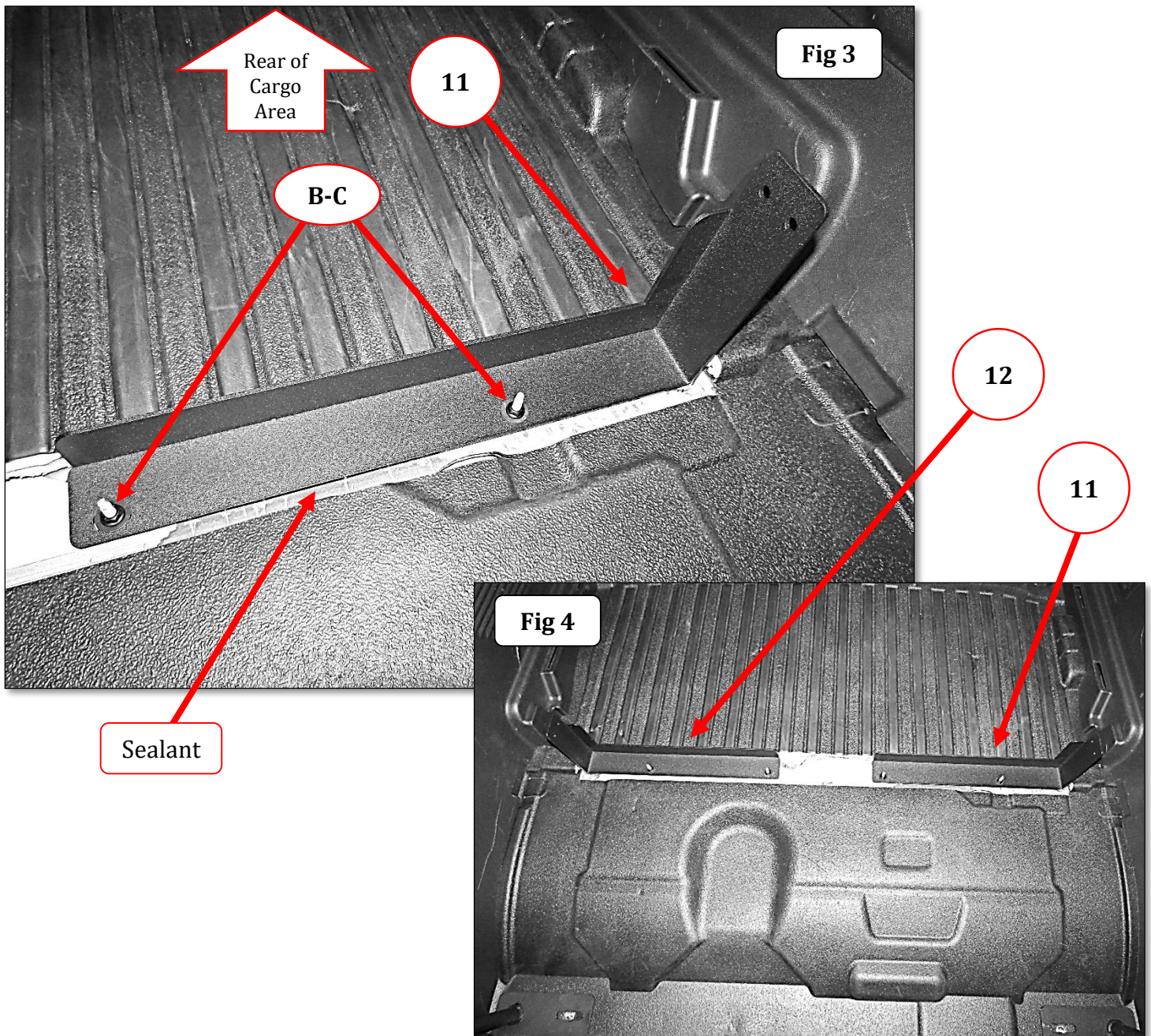




INSTALLATION INSTRUCTIONS

Step-3 Position the holes in the bottom of each Front Bracket over the (flange base) of the studs in the floor of the vehicle, (Fig 3). **Note:** Use a metal tool with a sharpened edge at one end to remove the excess sealant from the surface of the floor area where the front brackets will be positioned.

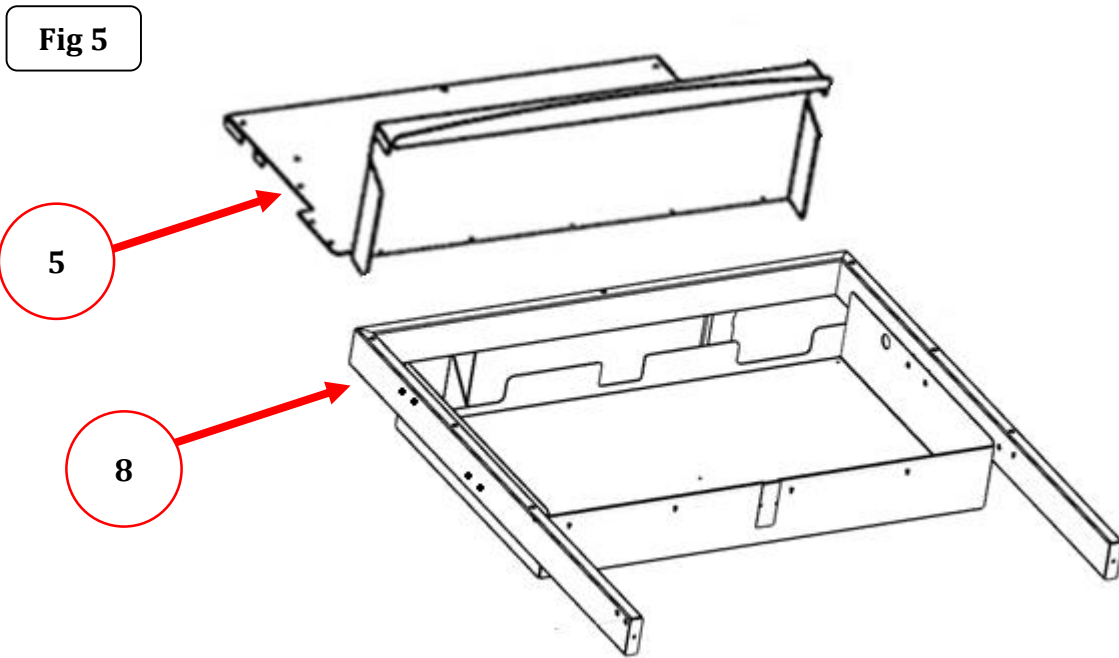
Step-4 Install (1) 1/4" flat washer and (1) M6 serrated lock nut on each stud to secure the Front Brackets, (Fig 3 & 4). Tighten the nuts.



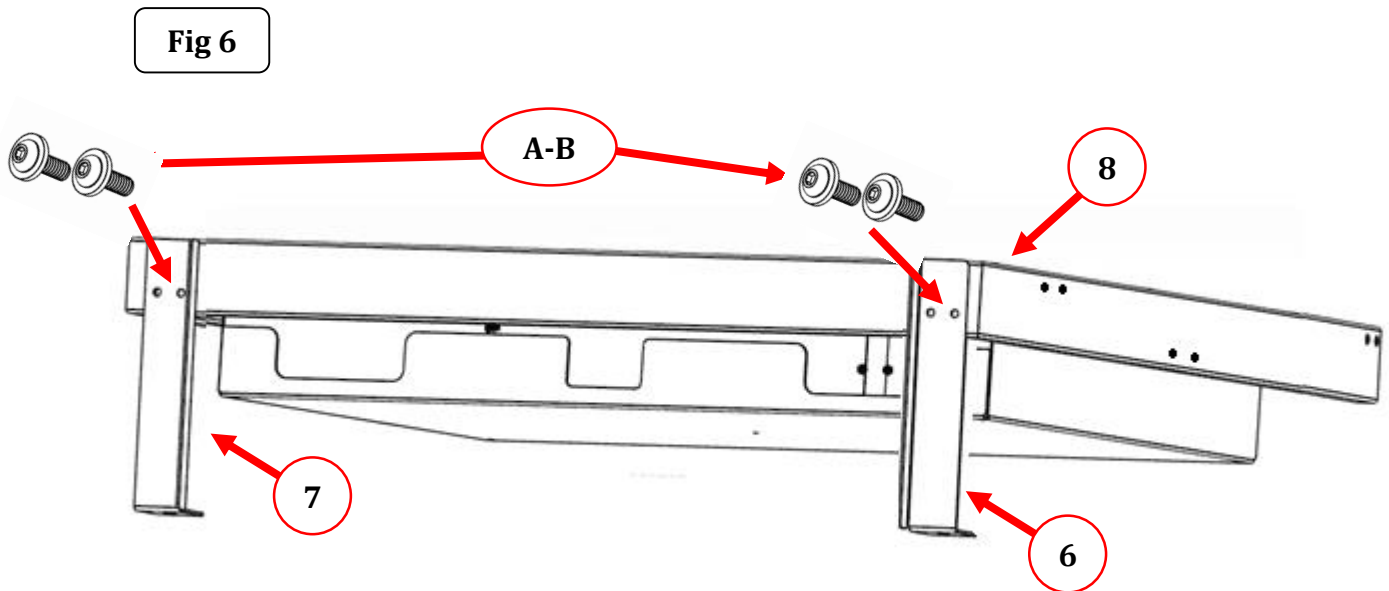
GORRHINO®

INSTALLATION INSTRUCTIONS

Step-5 Remove the (7) 1/4" button head screws and 1/4" washers securing the Cover & Lid Assembly to the Frame Assembly. Remove the Cover & Lid Assembly and set aside, (Fig 5).



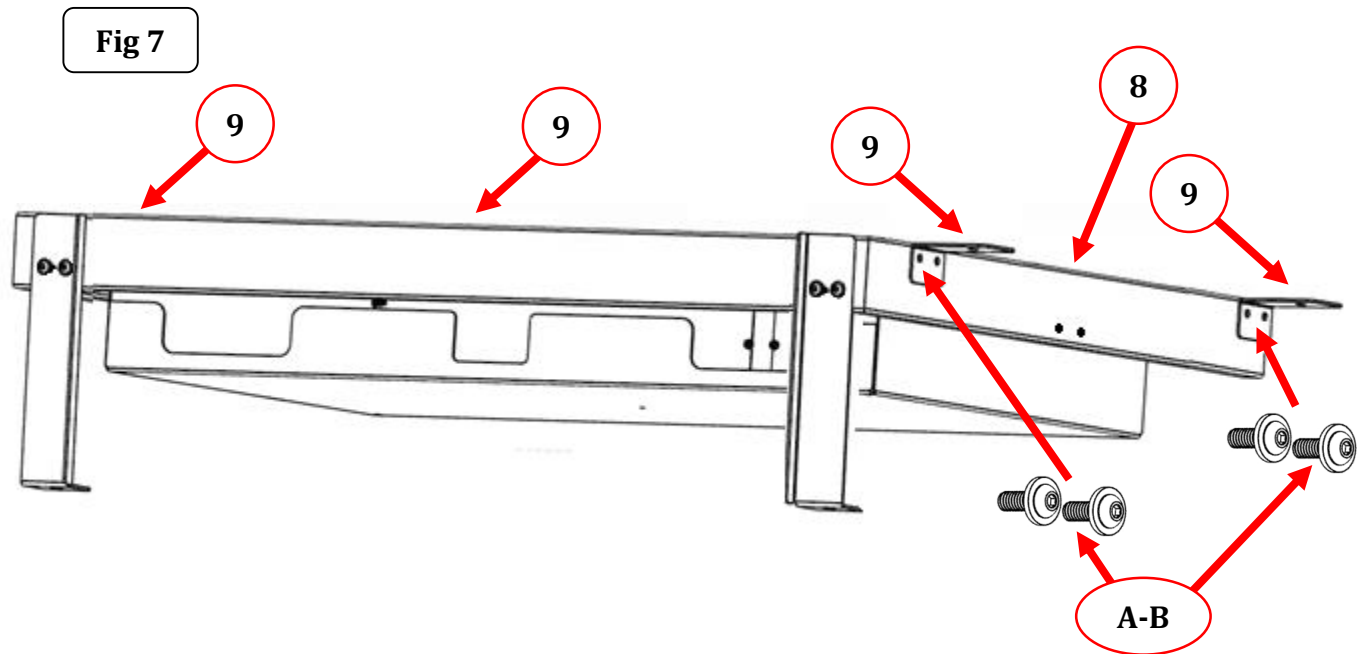
Step-6 Align the holes in the top of the Rear Brackets with the rivet-nuts in the rear of the Frame Assembly and secure each Rear Bracket to the Frame Assembly using (2) 1/4" x 3/4" button head screws and (2) 1/4" flat washers, (Fig 6). Snug do not tighten the screws.



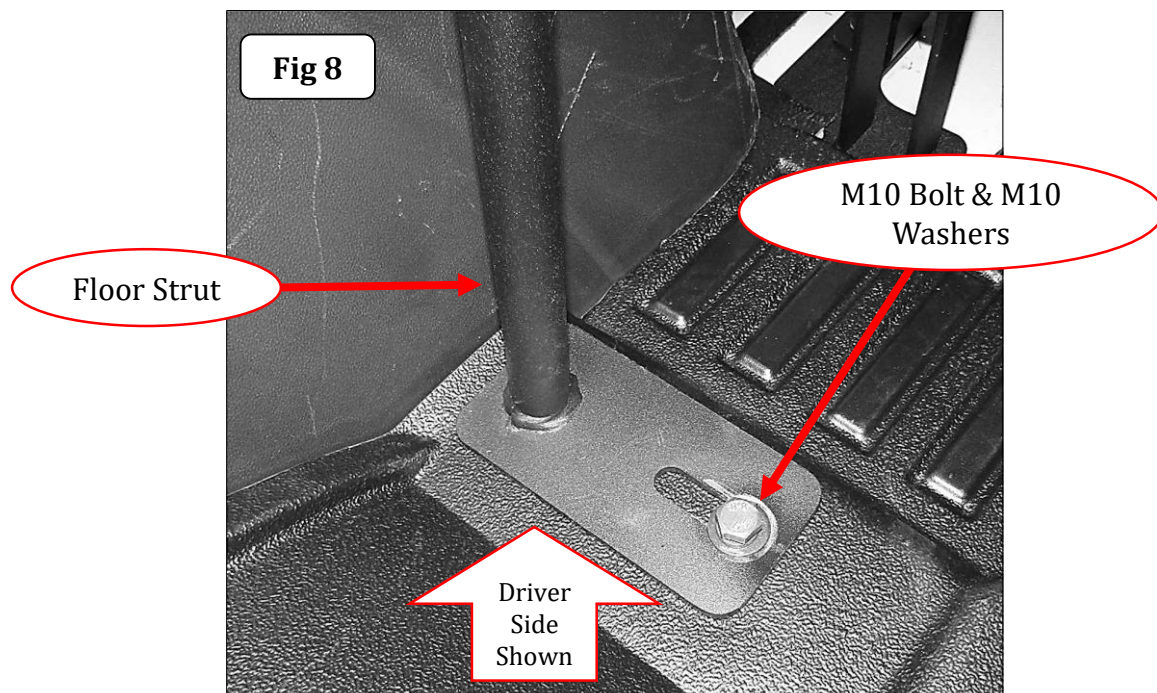
GO RHINO®

INSTALLATION INSTRUCTIONS

Step-7 Align the holes in the Side Panel Brackets with the threaded inserts in the sides of the Frame Assembly and attach each Side Panel Bracket to the Frame Assembly using (2) 1/4" x 3/4" button head screws and (2) 1/4" flat washers, (Fig 7). Tighten the screws.



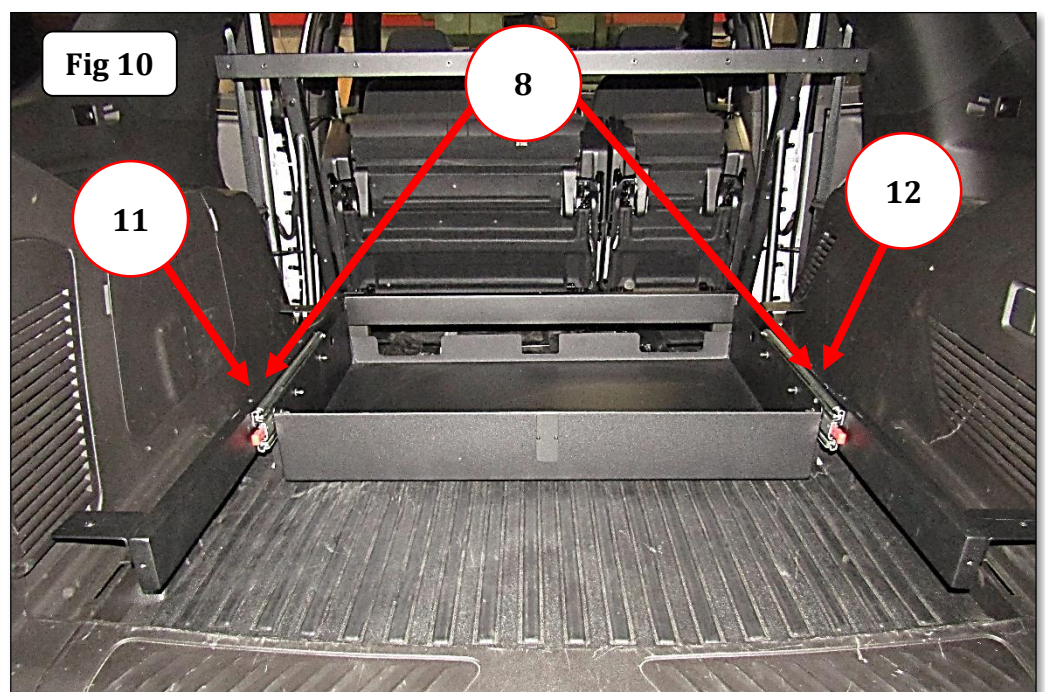
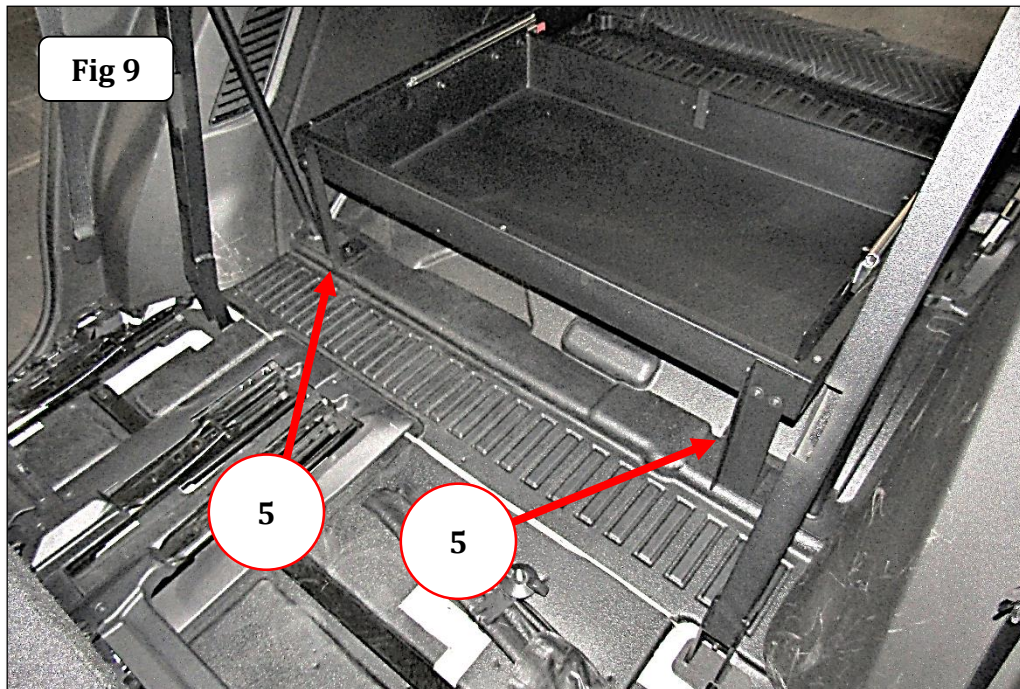
Step-8 Remove the M10 hex bolt and M10 washers securing each floor strut to the floor of the vehicle for the molded rear prisoner seat frame, Single cell partition or cargo area partition, (Fig 8).



GO RHINO®

INSTALLATION INSTRUCTIONS

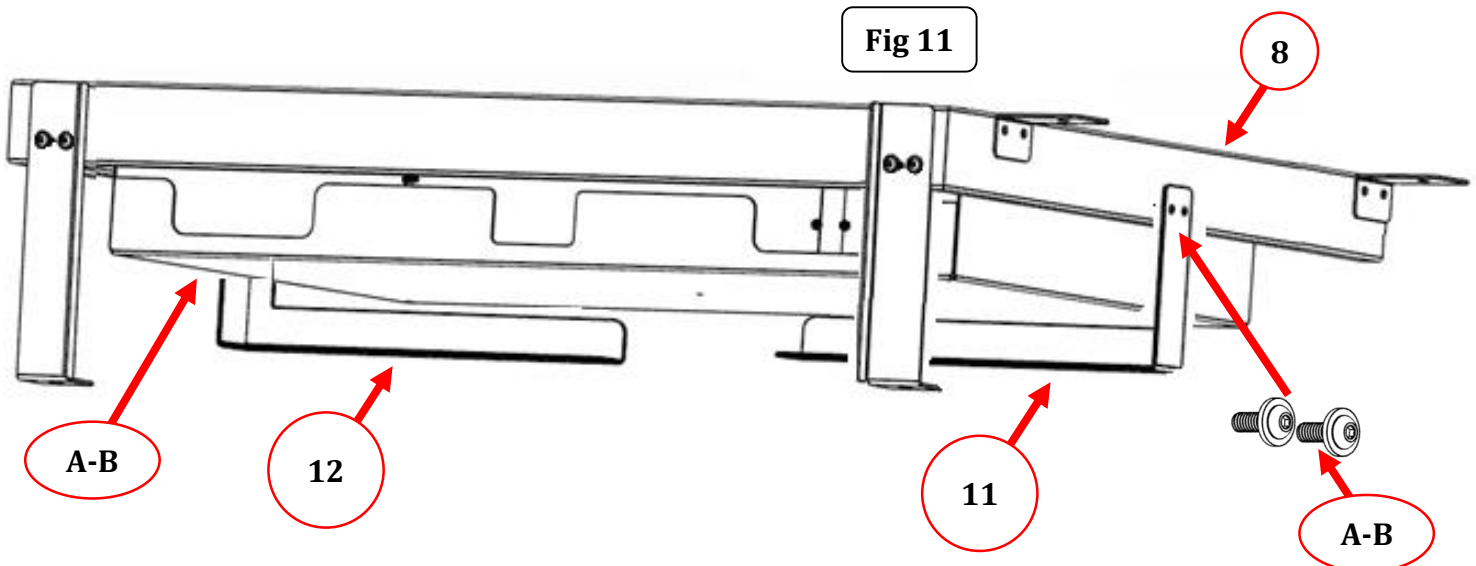
Step-9 With assistance, place the assembled Frame, Electronics Tray and Brackets in the vehicle, so the Rear Brackets are resting on top of the floor strut base plates and the Frame Assembly side rails are in-between the Front Brackets, (Fig 9 & 10).



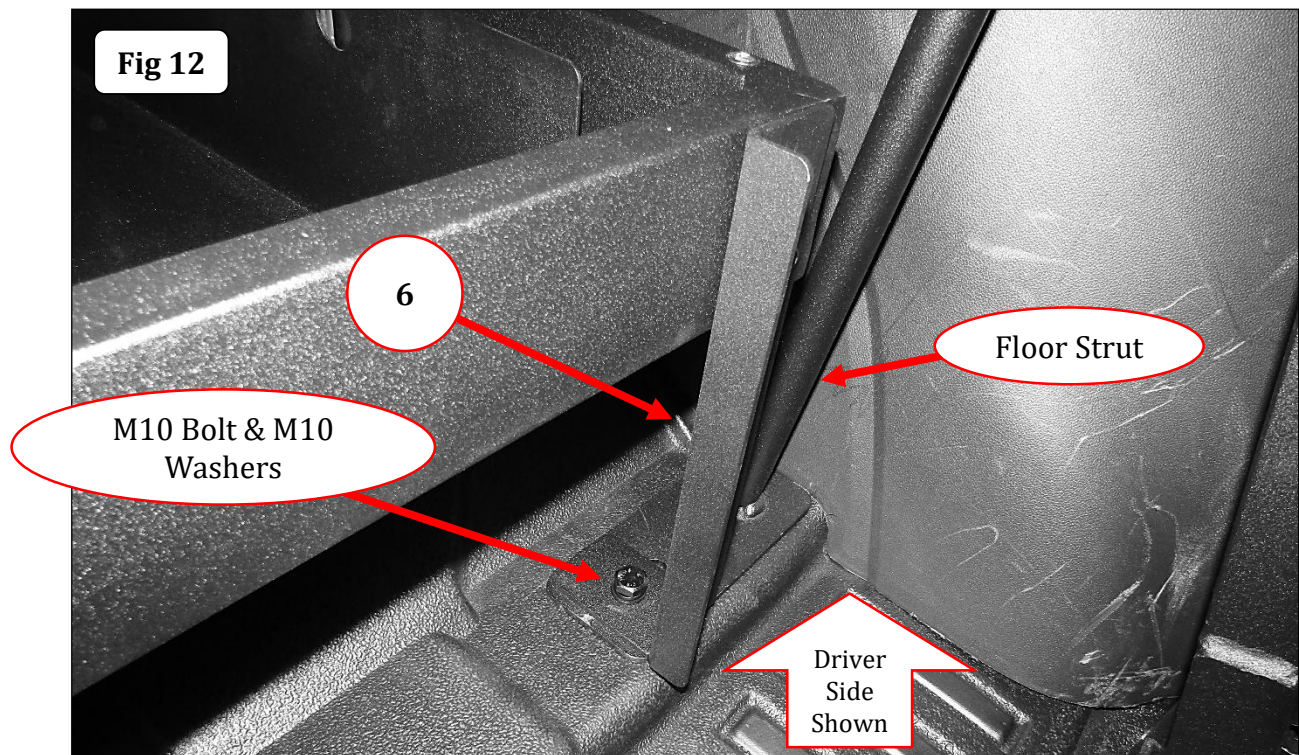
GO RHINO®

INSTALLATION INSTRUCTIONS

Step-10 Align the holes in the Front Brackets with the threaded inserts in the sides of Frame Assembly and attach each Front Bracket to the Frame Assembly using (2) 1/4" x 3/4" button head screws and (2) 1/4" flat washers, (Fig 11). Snug do not tighten the screws.



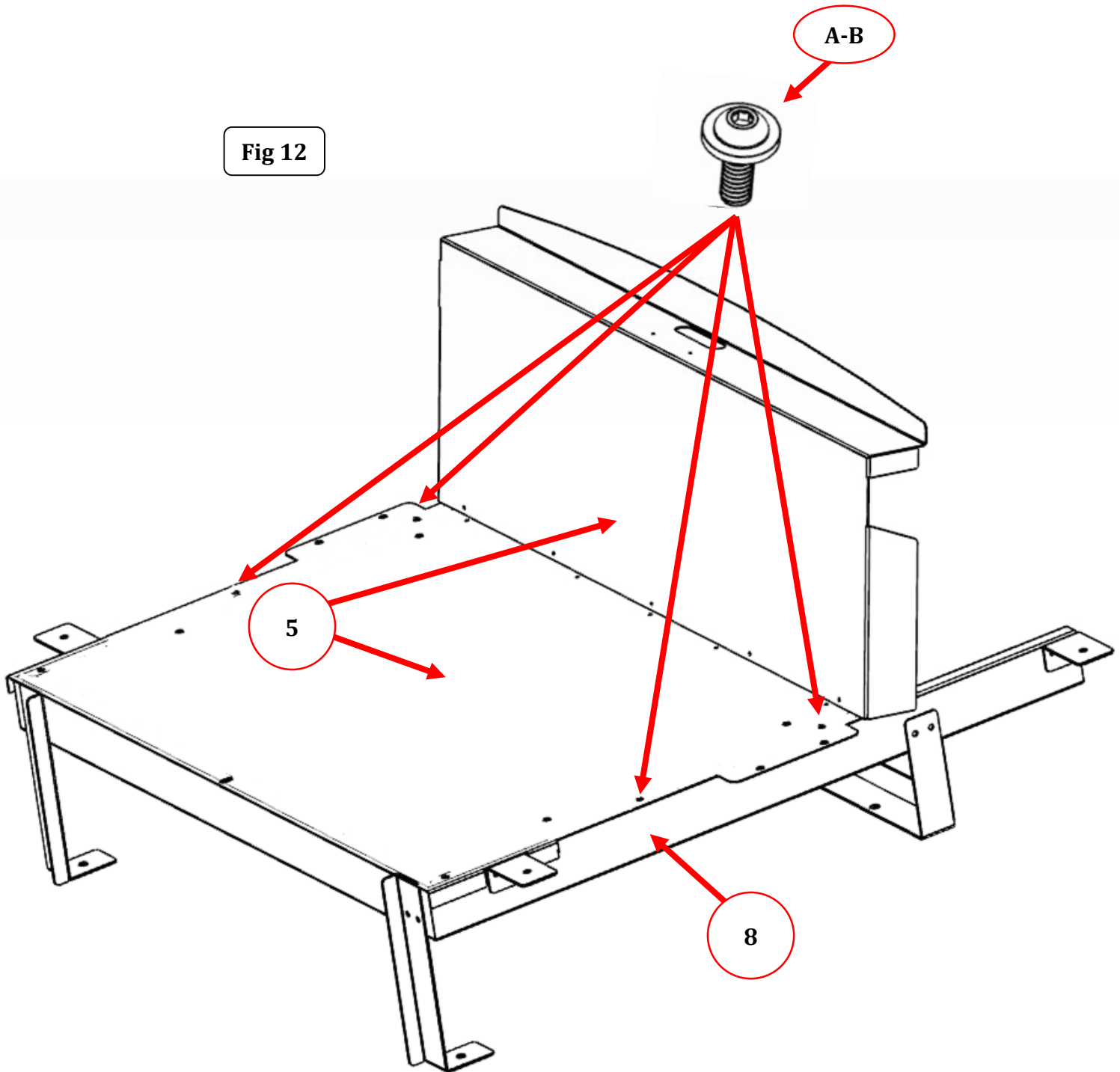
Step-11 Align the hole in the Rear Brackets and floor strut base plates and reinstall the M10 bolts and M10 washers previously removed, (Fig 12). Tighten all screws securing the Brackets to the Frame Assembly, and the bolts securing the floor struts.



GORRHINO[®]

INSTALLATION INSTRUCTIONS

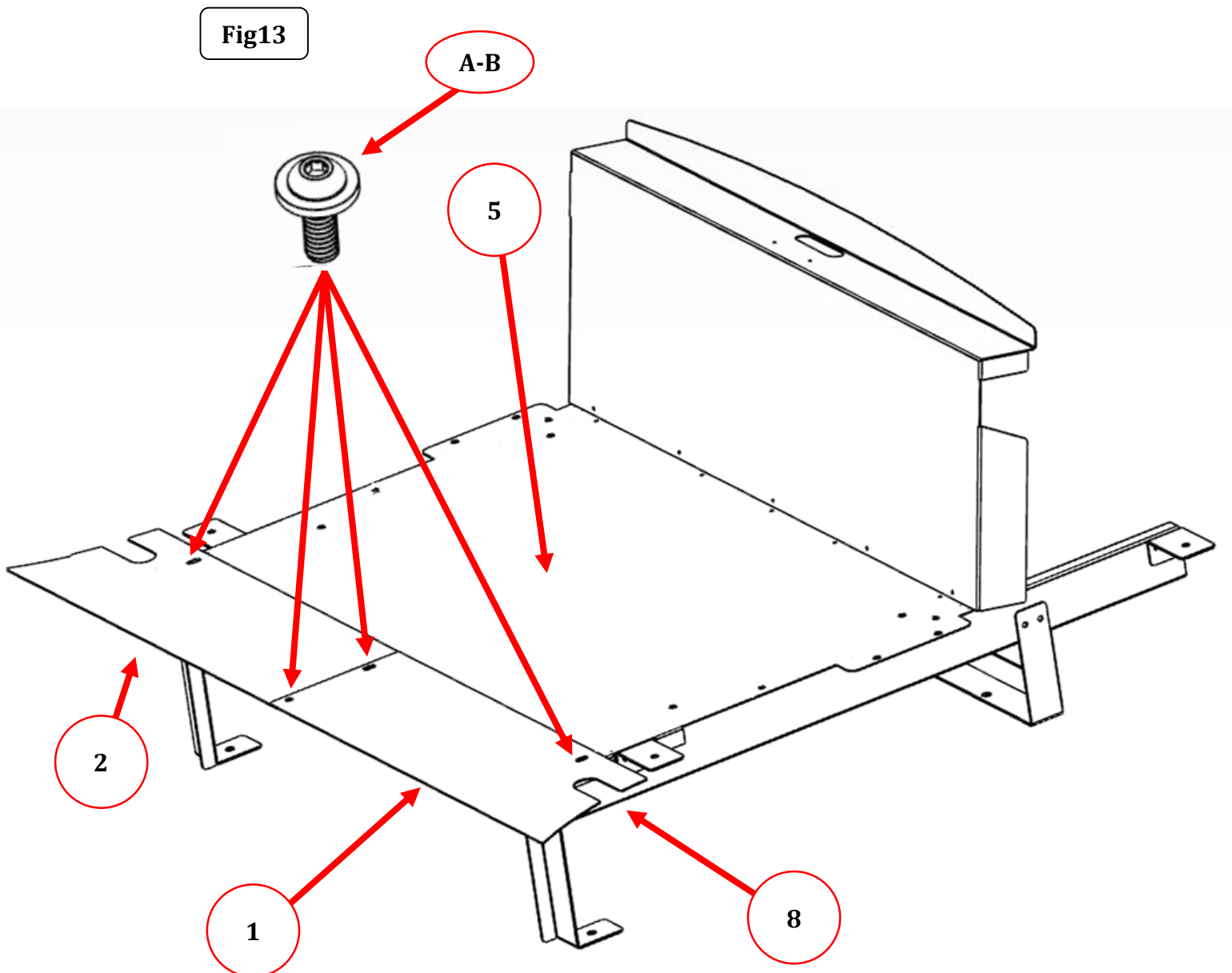
Step-12 Place the Cover & Lid Assembly on top of the Frame Assembly. Align the holes in the Cover with the threaded inserts in the Frame Assembly then secure the Cover to the Frame Assembly using the (4) 1/4" x 3/4" button head screws and 1/4" flat washers previously removed. Do not tighten the screws.



INSTALLATION INSTRUCTIONS

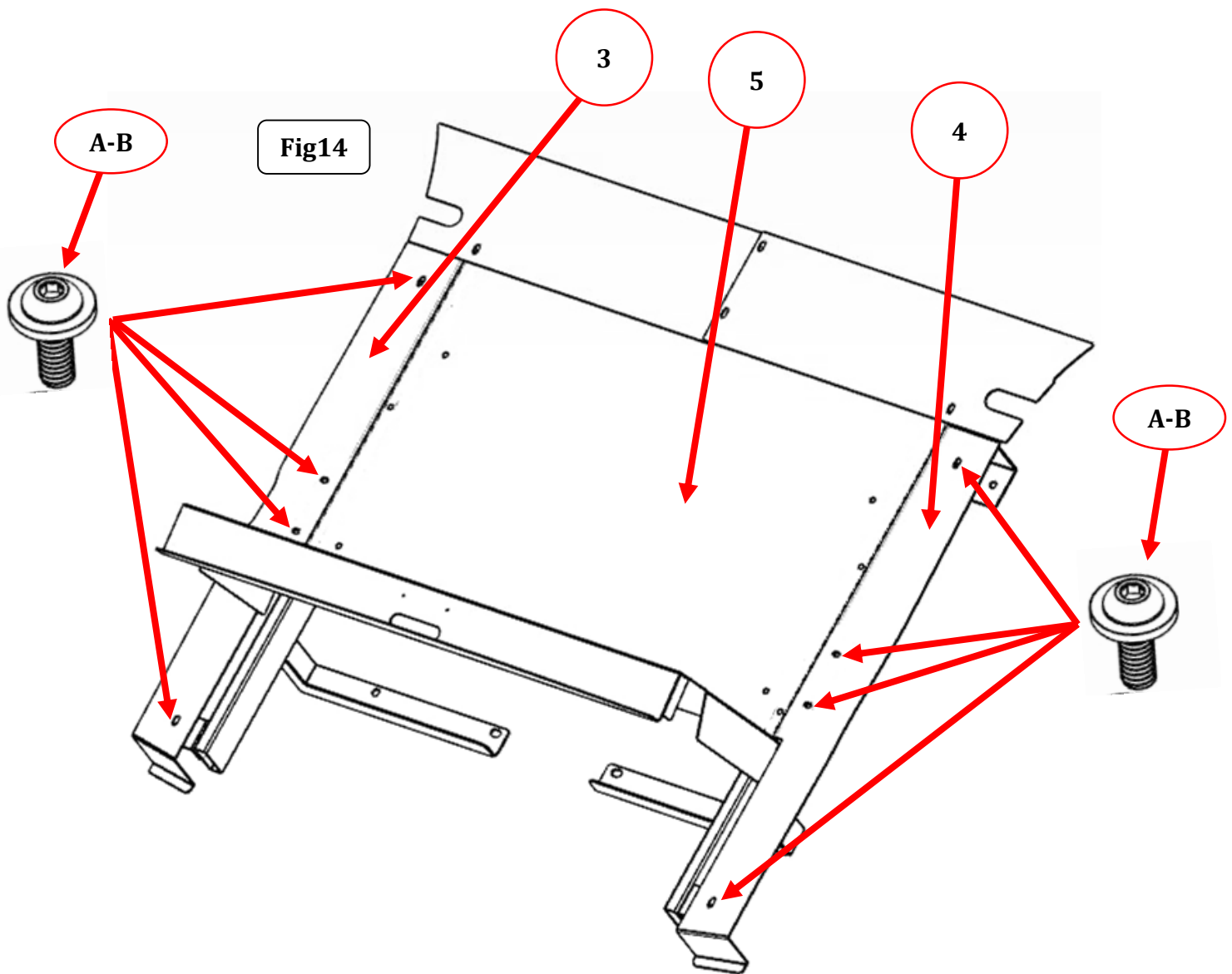
Step-13 Place the Rear Filler Panels on top of the Cover. Align the holes in the Rear Filler Panels and Cover with the threaded inserts in the Frame Assembly then secure the Rear Filler Panels, and Cover to the Frame Assembly using (3) 1/4" x 3/4" button head screws and 1/4" flat washers previously removed. Do not tighten the screws.

Step-14 Align the hole in the passenger side Rear Filler Panel with the threaded insert in the driver side Rear Filler Panel then secure the Rear Filler Panels using (1) 1/4" x 3/4" button head screw and 1/4" flat washer. Do not tighten the screw.



INSTALLATION INSTRUCTIONS

Step-15 Place the Side Filler Panels on top of the Cover overhang and Side Panel Brackets. Align the holes in the Side Filler Panels with the threaded inserts in the Cover overhang and Side Panel Brackets then secure the Side Filler Panels to the Cover overhang and Side Panel Brackets using the supplied 1/4" x 3/4" button head screws and 1/4" flat washers, (Fig 14). Fully tighten all screws securing the Cover, Side Filler Panels and Rear Filler Panels, (Fig 14).



GORRHINO[®]

INSTALLATION INSTRUCTIONS

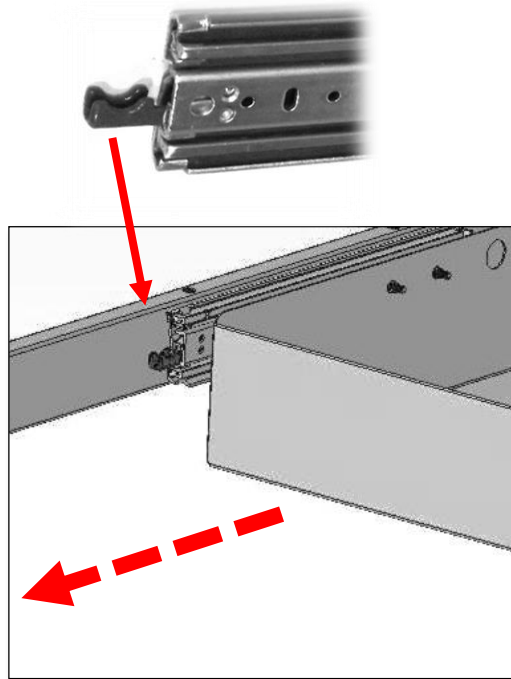
Optional: Keyed Lock for False Floor W/Electronics tray (C2-32-25)



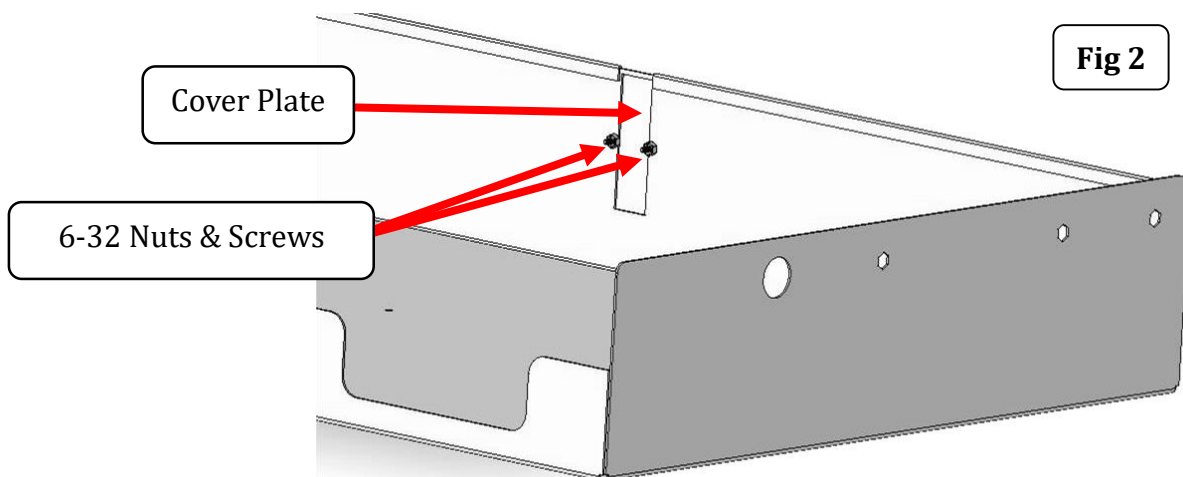
Step-1 Open the False Floor Lid.

Step-2 Release the lever on each slide at the same time, and pull the Electronics Tray toward the rear of the vehicle, (Fig 1).

Fig 1



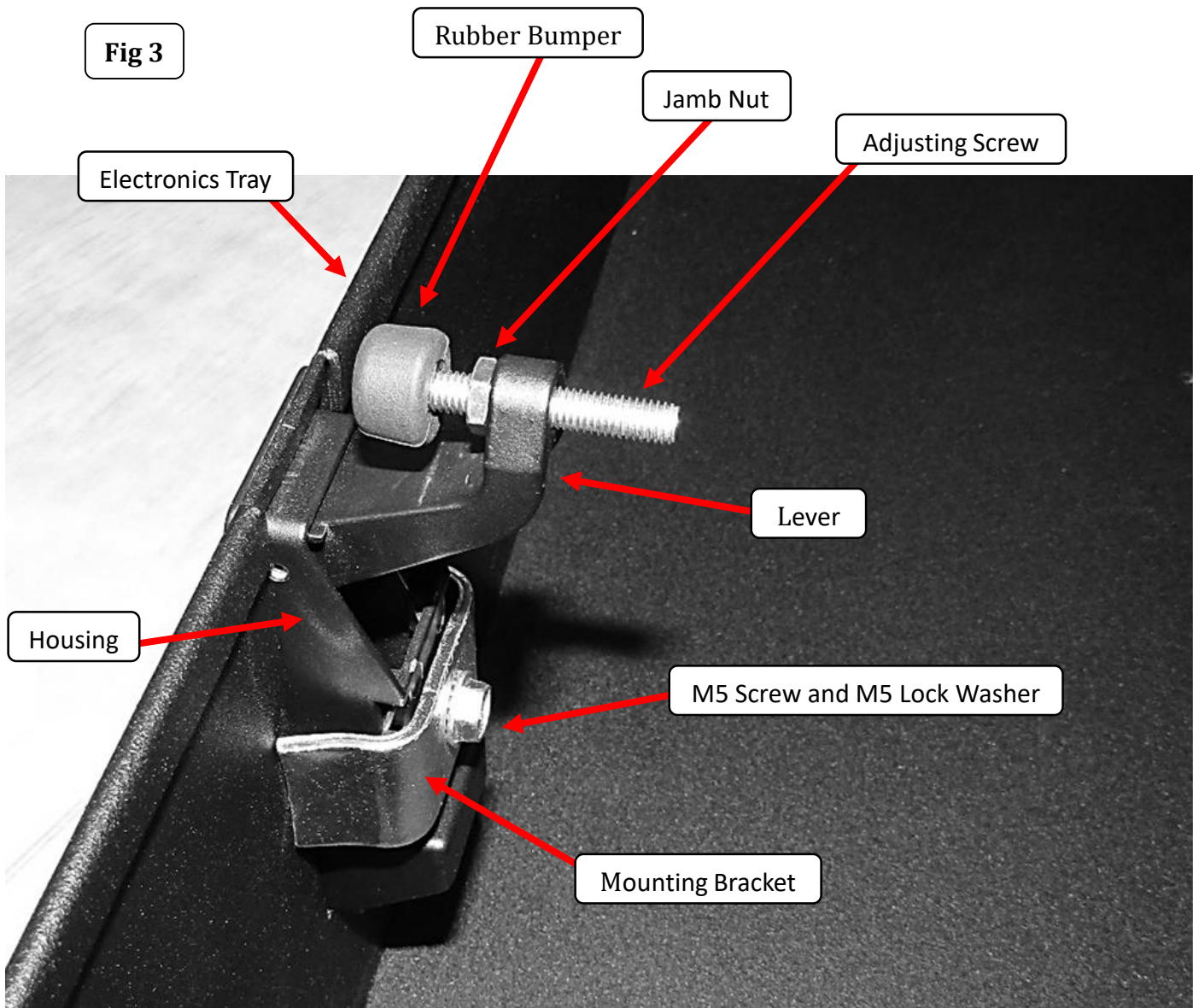
Step-3 Using a 5/16" wrench and 5/64" hex key, remove the (2) nuts and (2) screws securing the cover plate to the Electronics Tray, (Fig 2). Discard the cover plate, screws and nuts.



INSTALLATION INSTRUCTIONS

Step-4 Position the keyed lock housing in the opening in the Electronics Tray and secure the housing to the Electronics Tray using the mounting bracket, (1) M5 screw and (1) M5 lock washer supplied with the keyed lock, (Fig 3). Tighten the M5 screw.

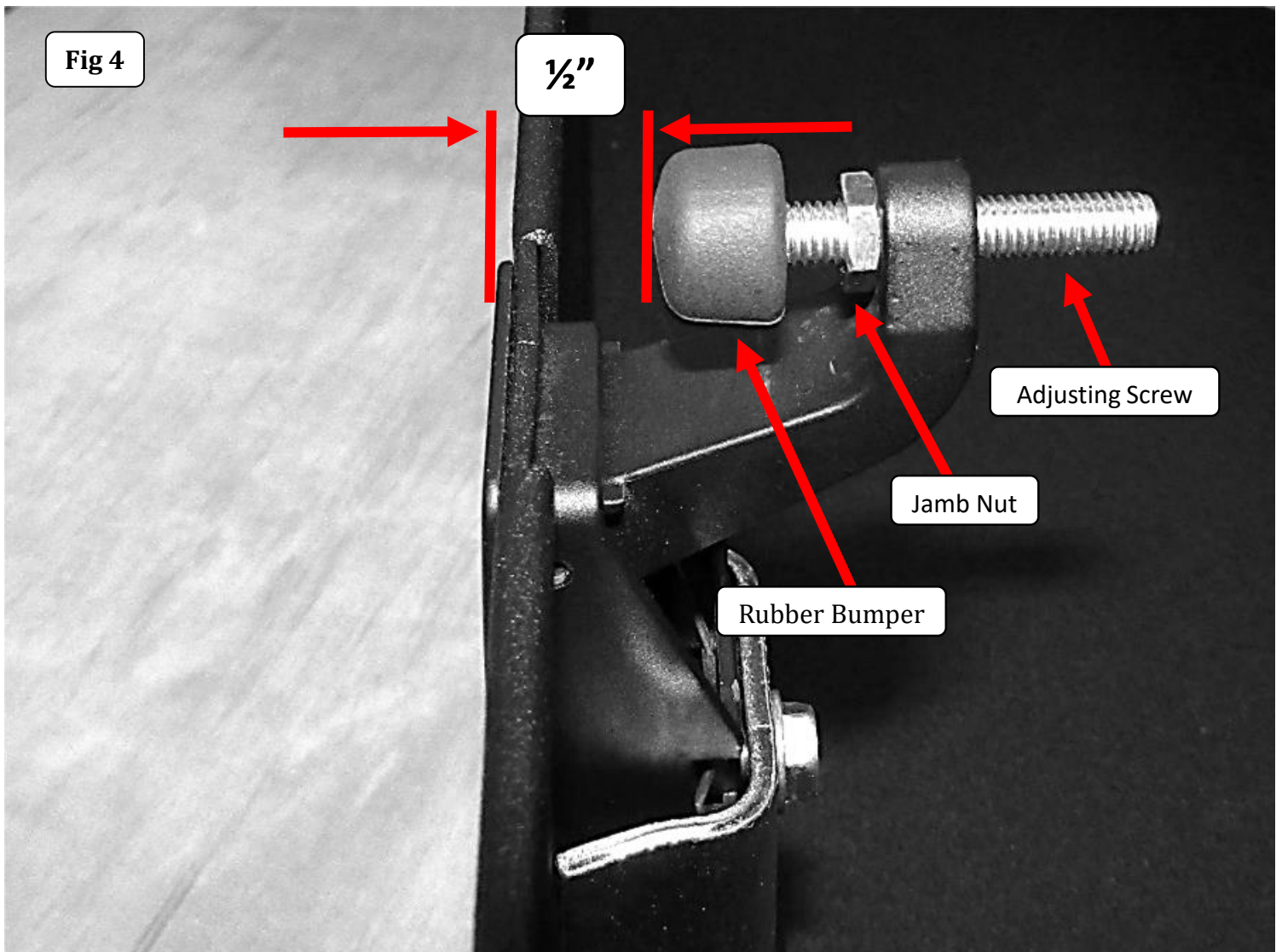
Step-5 Assemble the jam nut, adjusting screw and rubber bumper, then thread the adjusting screw into the keyed lock lever, (Fig 3).



GO RHINO®

INSTALLATION INSTRUCTIONS

Step-6 Press the keyed lock trigger so the lever is in the closed position then turn the adjusting screw in or out so the rubber bumper is positioned $\frac{1}{2}$ " from the front of the keyed lock housing and tighten the jamb nut, (Fig 4).



Step-7 Release the trigger so the lever is in the open position and fully close the Electronics Tray.

Step-8 Press the trigger so the lever is in the closed position to check if the adjusting screw rubber bumper is making contact with the stop. Re-adjust if required.



INSTALLATION INSTRUCTIONS

LIMITED WARRANTY

Go Rhino warrants to Buyer that for a period of five (5) years from the date of shipment of the product(s) ("Warranty Period") for black finishes and chrome finishes, that such products will materially conform to the specifications set forth in Go Rhino's specifications in effect as of the date of shipment(s) and will be free from material defects in material workmanship.

Go Rhino warrants to Buyer that for the life of the product(s) from the date of shipment of the product(s) ("Warranty Period") for polished stainless steel finished products purchased after April 2004, that such products will materially conform to the specifications set forth in Go Rhino's specifications in effect as of the date of shipments and will be free from material defects in material workmanship.

Warranty claims must be accompanied with the original invoice and photos of the product. It is the customer's responsibility to clean regularly and protect finish with regular applications of a nonabrasive polish that is compatible with the product's finish.

This warranty covers the cost of the product only and does not include the cost of removal, installation, third party modifications or shipping of the product. In no event shall Go Rhino be liable to buyer or any third party for any damage or harm caused by the product or use thereof, regardless of weather such damages were foreseeable and whether or not Go Rhino has been advised of the possibility of such damages, not withstanding the failure of any agreed or other remedy of its essential purpose. This warranty is void if the product shows signs of alteration, misuse, mishandling, improper care, neglect, improper application and/or damage due to improper installation.

With respect to any such product(s) during the limited warranty period, Go Rhino shall, in its sole discretion, either: (i) provide a one-time repair or replacement of such products (or the defective part) or (ii) credit or refund the price of such products at the pro rata contract rate provided that, if Go Rhino so requests, Buyer shall, at Go Rhino's expense, return such product(s) to Go Rhino. The remedies shall be the Buyer's sole and exclusive remedy and Go Rhino's entire liability for any breach of the limited warrant(ies).

Go Rhino disclaims all other warranties except to the extent that any such warranty cannot be validly disclaimed under applicable law.

Finish Limited Warranty:

Limited lifetime on stainless steel products (after April 2004)
5 year warranty on black powder coat products
5 year warranty on chrome products
This warranty does not cover exposed welds

Finish warranty covers peeling, flaking, or cracking. Washing all finishes regularly with car wash soap and rinsing well with water is the best method for maintaining the finish on your products. You must also protect the finish with nonabrasive automotive wax on a regular basis. The use of any compound which contains abrasives becomes a self-defeating exercise as the compound scratches the finish and opens it to corrosion. The use of harsh chemicals used to remove bugs and tar may also cause the finish to fail and should be avoided.

If you are unsatisfied with your purchase please contact the establishment you purchased the product from.

If you need to place a warranty claim or need assistance, the Go Rhino customer service team will answer any questions you may have. Please contact the Go Rhino customer service team at 1-888-427-4466 during normal business hours Monday thru Friday 7 am to 5 pm PST. You may also email warranty@gorhino.com. In order to better serve you please provide a copy of the original invoice / receipt, a photo of the issue you are experiencing and a photo of the vehicle the product is installed on.

All warranty returns must have an approved RGA number. The RGA number must be clearly marked on the exterior of the return package. All approved warranty returns must be shipped to Go Rhino Products, 1002 Carriers Drive, Laredo, Texas 78045.

PRODUCT REGISTRATION

Please remember to register your new purchase. You may register your product at www.gorhino.com. Registering your product may help speed any future warranty or customer service inquiries.

Thank you again for purchasing from Go Rhino Products

Please take a few minutes to view additional products for your vehicle and more at GORHINO.com
These installation instructions are available on the Go Rhino web site along with installation videos for many of our products.

www.gorhino.com

www.bigcountryauto.com

www.gorhinopd.com