

GO RHINO®

INSTALLATION INSTRUCTIONS



PART NO.

- 5732FEM

PRODUCT DESCRIPTION:

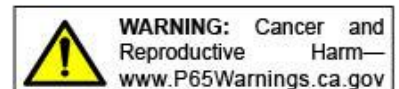
- Full Expanded Metal Window, Rear Cargo Area Partition

APPLICATION:

- Dodge Durango Pursuit

PRODUCT SAFETY & LEGAL DISCLAIMER

- **IMPORTANT READ ALL INSTRUCTIONS CAREFULLY BEFORE INSTALLING, FAILURE TO DO SO MAY CAUSE PERSONAL INJURY OR DAMAGE TO PRODUCT AND/OR PROPERTY.**
- **Review the product package and contents prior to beginning the installation.** Take care when opening the packaging and removing items. If a return is needed you will want to return the product in its original packaging if possible.
- This instruction guide is provided as a GENERAL installation guide, some vehicles vary dimensionally and may require additional steps.
- Test fit the product on the vehicle prior to any third party modifications and or finishing. The manufacturer and/or distributors do not accept responsibility for third party charges, labor and or third part replacement modifications. Some modifications may void the factory warranty.
- Exercise due-diligence when installing this product. The manufacturer and distributors of this product do not accept any responsibility for vehicle damage or personal injury resulting from the installation of this product. Careless installation and operation can result in serious injury or equipment damage.
- This product is for general off-road use. All liability for installation and use rests with the owner/operator.
- **INSTALLER:** Once installation is complete, please return this guide along with other documentation included in this product back to the consumer for future reference. The manufacturer/distributors of this product do not guarantee this particular version will be available at a later date.



© 2016 Go Rhino Products. All rights reserved

www.gorhino.com

589 W. Apollo St., Brea, CA 92821

P: 888 427 4466



INSTALLATION INSTRUCTIONS

INJURY HAZARD

Please complete a shop and tool inspection prior to beginning the installation.

- Always make sure you have a clean, dry and well lit work area.
- Always remove jewelry, loose fitting clothing and wear protective gloves and eye protection.
- Always use extreme caution when jacking or raising a vehicle for work. Set the emergency brake and use tire/wheel blocks and jack stands. Refer to the vehicle manufacturer hand book. Utilize the vehicle manufacturers designated lifting points.
- Always use appropriate and adequate care in lifting parts during disassembly and installation. Seek help in lifting heavy or large items into place. Utilize jacks and or lifting devices when available.
- Always insure products are secure during disassembly and installation.
- Always wear eye protection and take steps to protect any exposed skin during the installations. Drilling, cutting and grinding plastic and metal may create flying particles that can cause injury.
- Always use extreme caution when drilling, cutting and or grinding on a vehicle. Thoroughly inspect the area to be drilled, on both sides of material, prior to modification and relocate any objects that may become damaged.
- Always assemble and tighten all fasteners per the installation instructions.
- Always route electrical cables carefully. Avoid moving parts, parts that may become hot and rough or sharp edges.
- Always insulate and protect all exposed wiring and electrical connections.

MAINTENANCE AND CARE

- Always perform regular inspections and maintenance on mounts and related fasteners.
- Periodically check and tighten all fasteners.
- Stripped, fractured, or bent fasteners must be replaced.
- After washing the vehicle make sure to fully dry all surfaces.
- In areas with cold temperatures make sure to wash the product often to remove harmful materials used on road ways.
- Never use abrasive cleaners or polish compounds. Clean with a gentle soap and water. If you use wax use a non-abrasive automotive wax such as pure carnauba wax.

WARNING

Some products have been designed to work together with factory rear sensor systems, factory forward facing sensor systems and factory air bags.

- Installation of some of these products may alter the factory sensor system performance.
- Factory sensors may read shackles or hooks protruding from the fairlead and or tow hooks.
- All sensor testing is completed by Go Rhino Products and or third party testing labs on modified vehicles.
- Sensor sensitivity, factory sensor housing, orientation, and operating conditions are all variables that will influence functionality of the sensors.
- Installation of some product may effect the factory air bag systems.
- Some products allow the use of third party products such as winches, shackles, hooks, etc. Follow the respective manufacturers operating instructions for use with our products.
- Make sure to fully understand the product, it's intended use and operation prior to use.
- Above all... be safe!



INSTALLATION INSTRUCTIONS

PARTS INCLUDED IN THIS LIST:

Item	Qty	Description	Item	Qty	Description
1	2	7/16" X 1" Hex Bolt	12	4	Round Magnet
2	2	7/16" Lock Washer	13	8	Phillips Rounded Head Screw # 6 X 1/2"
3	4	7/16" Flat Washer	14	4	Countersink Screw # 8 X 1/2"
4	4	7/16" Nylon Lock Nut	15	31	1/4" x 3/4" Button Head Torx Screw
5	3	3/8" x 1 1/2" Hex Bolt	16	33	1/4" Flat Washer
6	12	3/8" x 1" Hex Bolt	17	33	1/4" Internal-Tooth Lock Washer
7	6	3/8" Lock Washer	18	10	1/2" Flat washer
8	20	3/8" Flat Washer	19	4	M12 X 15mm Button Head Torx Screw
9	9	3/8" Nylon Lock Nut	20	2	M12 X 35MM Coupling Nut
10	6	1/4" Nylon Hex Nut	21	2	T-Bolt 1/4" x 1"
11	6	1/4" x 3/4" Nylon Hex Bolt	22	2	Hex Nut 1/4"
*Packaging contains additional fasteners that will not be used for this installation.					

Go Rhino recommends you, the installer, read this installation instruction manual from front to back before installing the product.

TOOLS NEEDED FOR INSTALLATION:

- Inch & Metric Wrench Set
- Inch & Metric Socket Set
- T30 & T50 Torx Bit Socket
- Ratchet & Ratchet Extension
- Tape Measure
- Cutoff Tool & Razor Knife

ESTIMATED TIME FOR INSTALLATION:

2 Hour

If you need installation service for your new product, call the authorized distributor from whom you purchased the product or an authorized installation service company which can be found by calling toll free 1-888-427-4466

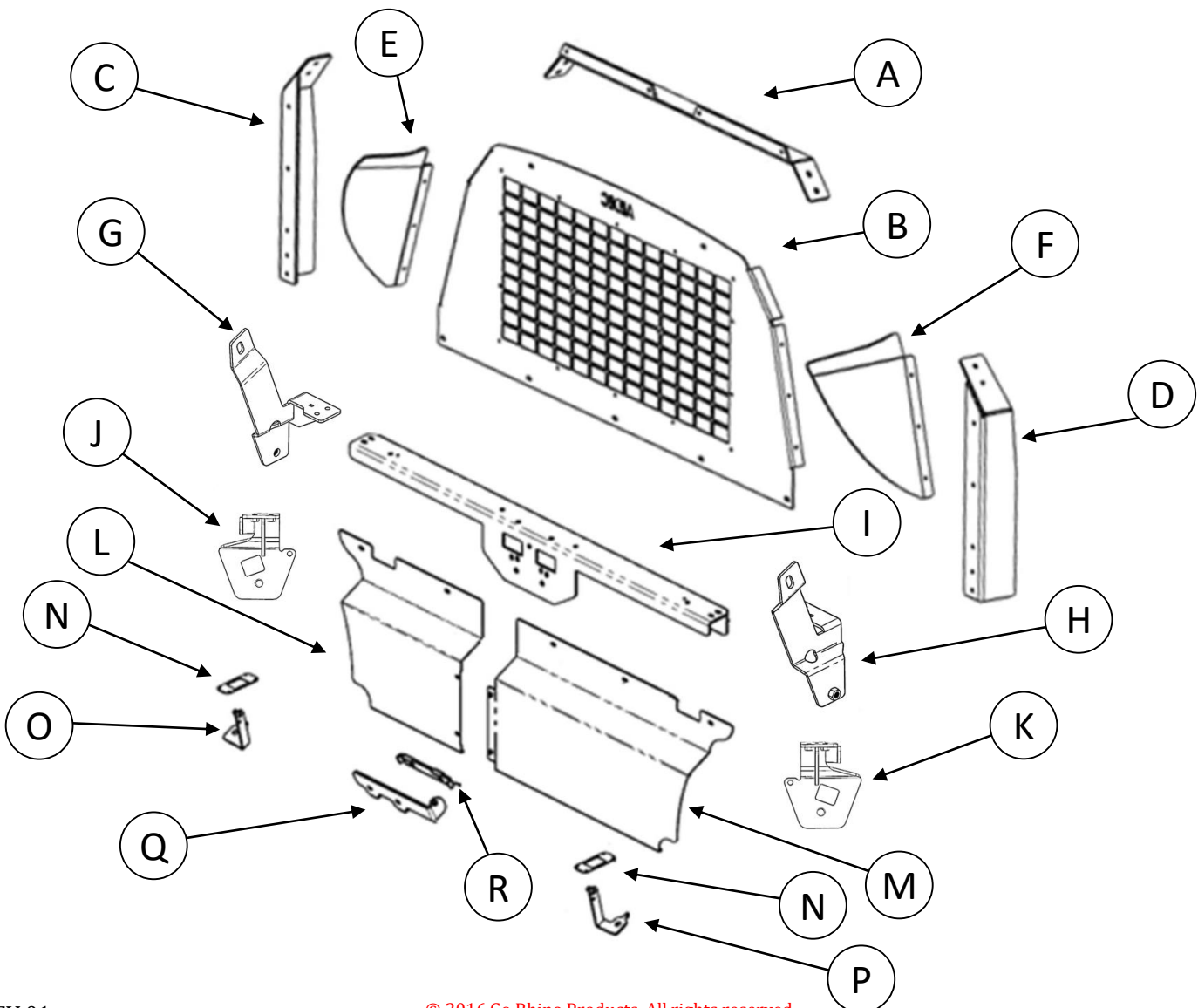
GO RHINO®

INSTALLATION INSTRUCTIONS

PARTS INCLUDED IN THIS LIST:

Item	Qty	Description	Item	Qty	Description
A	1	Partition Screen Cross Brace	J	1	C-Pillar Bracket (Right Side)
B	1	Partition Screen	K	1	C-Pillar Bracket (Left Side)
C	1	Partition Screen Strut Bracket (Right Side)	L	1	Lower Closeout Panel (Right Side)
D	1	Partition Screen Strut Bracket (Left Side)	M	1	Lower Closeout Panel (Left Side)
E	1	Partition Screen Upper Filler Panel (Right Side)	N	2	Buckle Cover
F	1	Partition Screen Upper Filler Panel (Left Side)	O	1	Seat Belt Bracket (Right Side)
G	1	C-Pillar Bracket (Right Side)	P	1	Seat Belt Bracket (Left Side)
H	1	C-Pillar Bracket (Left Side)	Q	1	Belt Bracket
I	1	Support Beam	R	1	Center Belt Bracket Clamp

*Packaging contains additional brackets that will not be used for this installation.



GO RHINO®

INSTALLATION INSTRUCTIONS

Step-1 Remove the front storage compartment cover from the cargo area, (Fig 1).



GO RHINO®

INSTALLATION INSTRUCTIONS

Step 2 Unsnap the fasteners and remove the D-Pillar trim from each side of the vehicle.

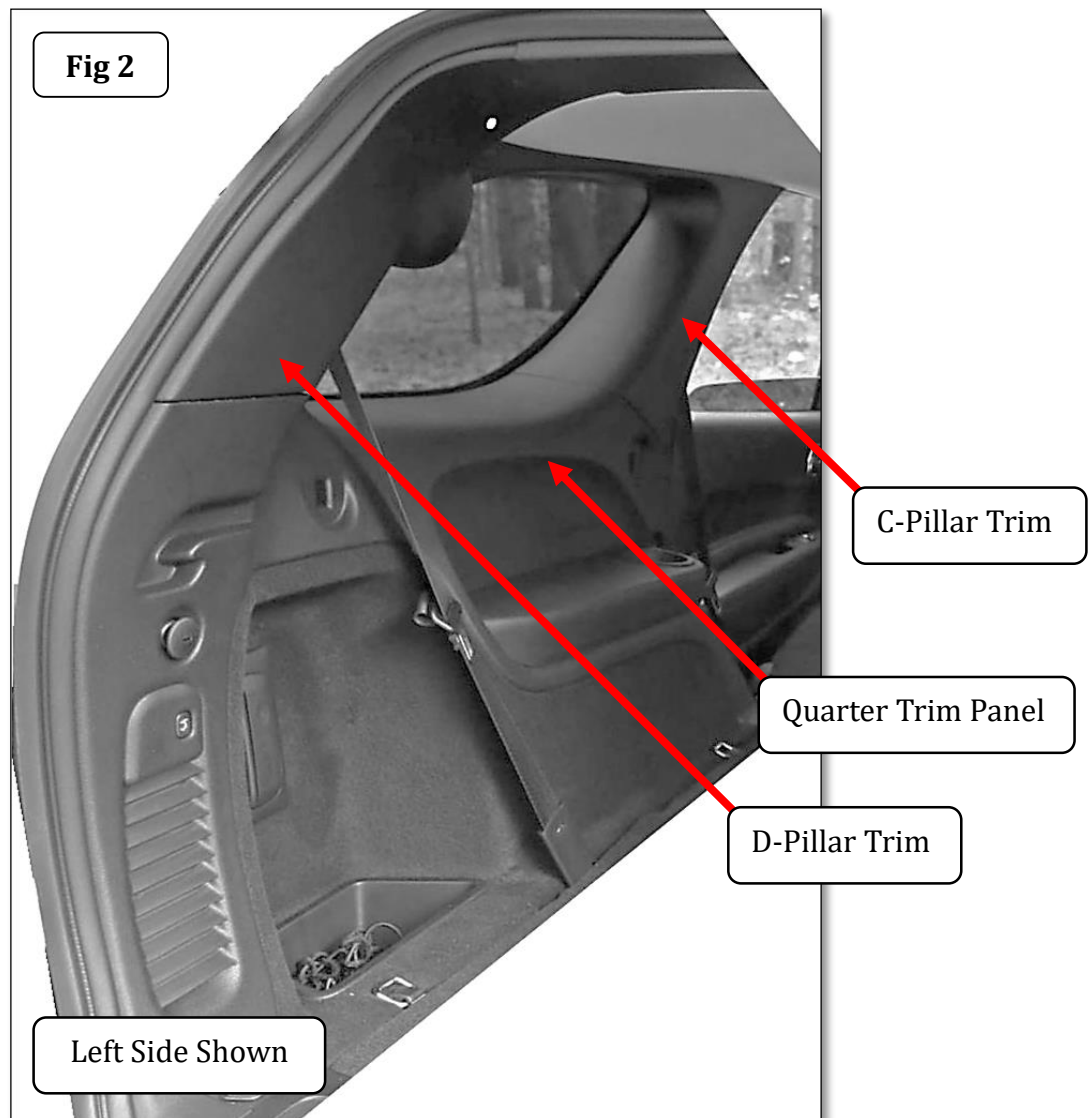
Step 3 On each side of the vehicle, remove the access cover from the interior quarter trim panel using a small flathead screwdriver and the exposed screw using a 7mm socket.

Step 4 Remove (2) screws securing the bottom of each interior quarter trim panel using a 7mm socket

Step 5 Unsnap the remaining fasteners and remove the interior quarter trim panel from each of the vehicle.

Step 6 On each side of the vehicle remove (1) screw securing the bottom of the C-Pillar trim using a 7mm socket.

Step 7 Unsnap the remaining fasteners and remove the C-Pillar trim from each side of the vehicle.



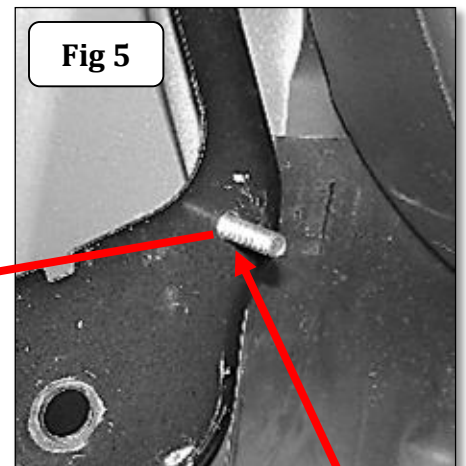
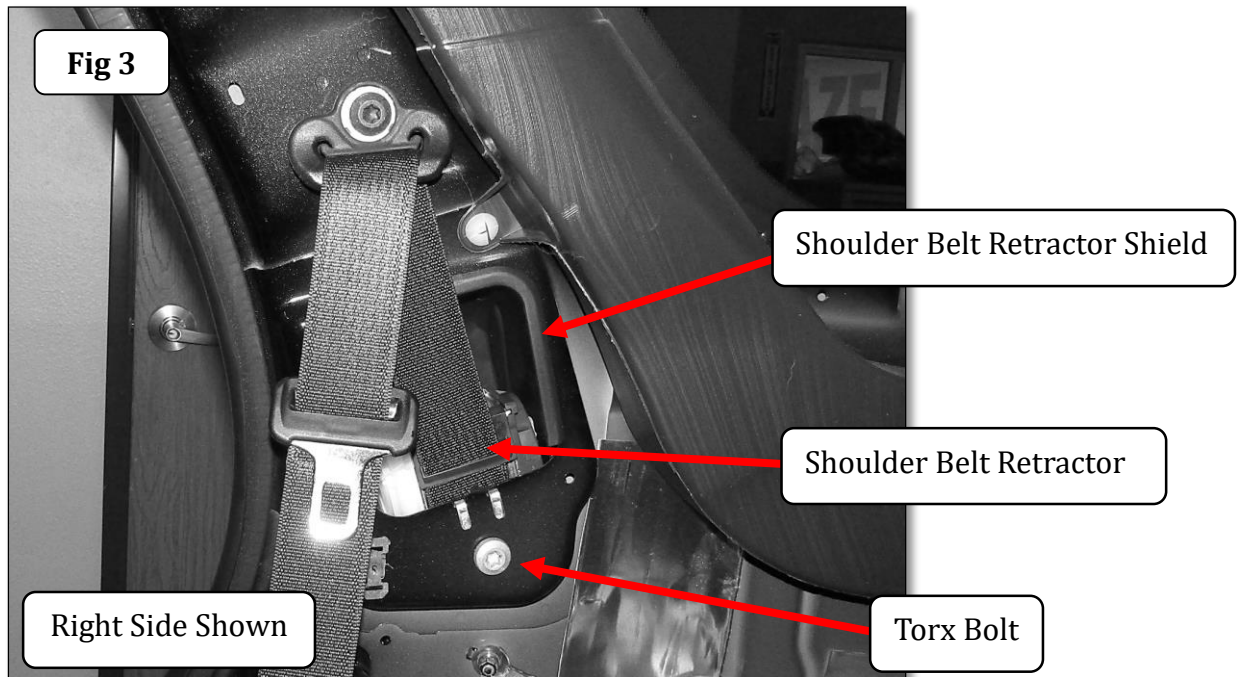
GORRHINO®

INSTALLATION INSTRUCTIONS

Step 8 Using a T50 Torx bit, remove the Torx bolt and shoulder belt retractor from the C-Pillar, (Fig 3).

Step 9 Remove the shoulder belt retractor shield from the C-Pillar.

Step 10 Locate the small hole in the C-Pillar and Install (1) ¼" T-Bolt in the hole so the T-Bolt treads are protruding out through the hole, (Fig 4 & 5). Note: Place a strip of heavy duty tape to secure the T-Bolt in place in the C-Pillar.



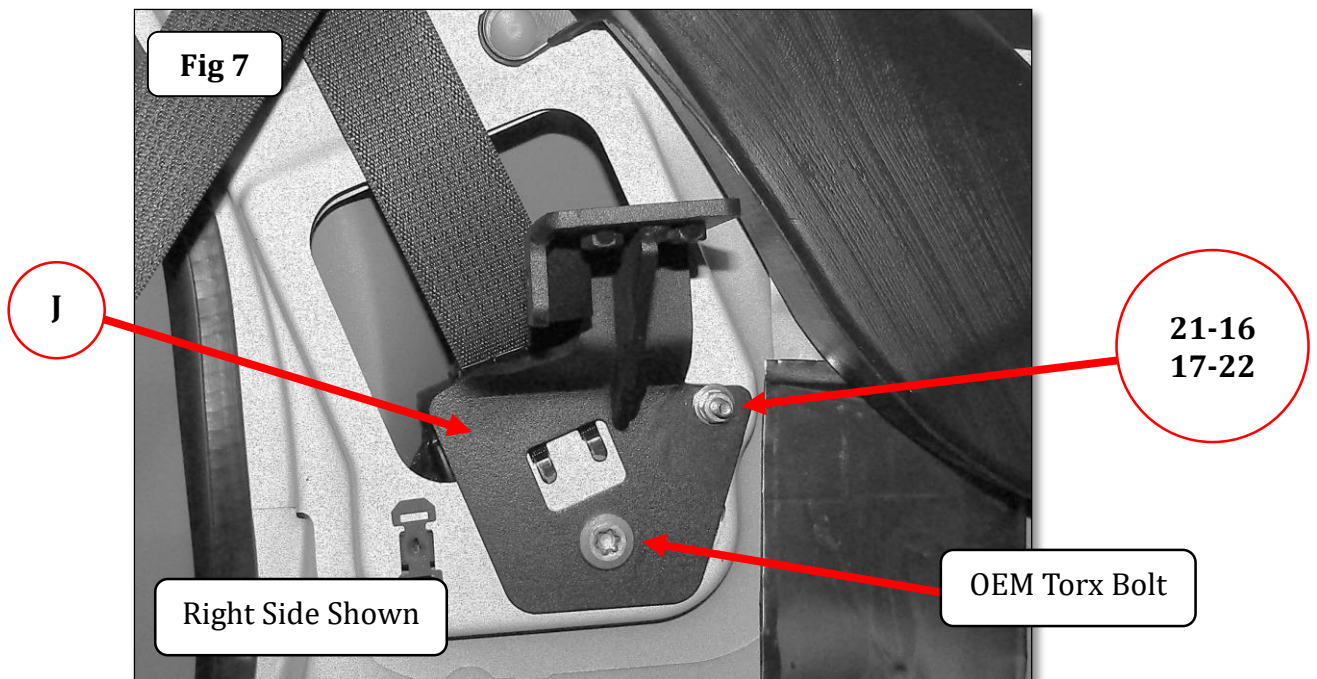
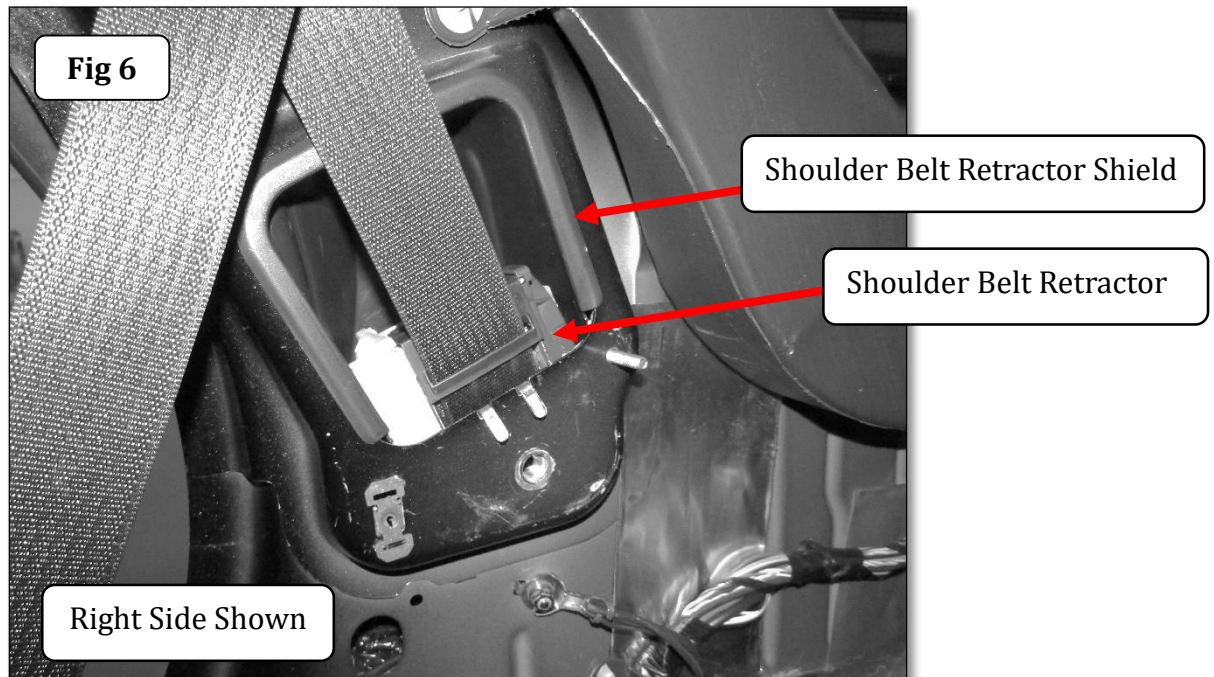
21

GO RHINO®

INSTALLATION INSTRUCTIONS

Step 11 Reinstall the shoulder belt retractor shield and reposition the shoulder belt retractor in the C-Pillar, (Fig 6).

Step 12 Position the Right Side C-Pillar Bracket on the C-Pillar with the T-Bolt extending out through the small hole in the bracket and install (1) ¼" flat washer, lock washer and hex nut. Reinstall the OEM Torx bolt to secure the bracket and shoulder belt retractor to the C-Pillar, (Fig 7). Tighten the OEM Torx bolt, and the ¼" hex nut. Repeat step 9 through 13 to install the Left Side C-Pillar Bracket.



GO RHINO®

INSTALLATION INSTRUCTIONS

Step 13 Cut and remove the area from the left side and right side C-Pillar trim, (Fig 8 & 9). Reinstall the C-Pillar trim.

Fig 8

Left Side C-Pillar Trim



Fig 9

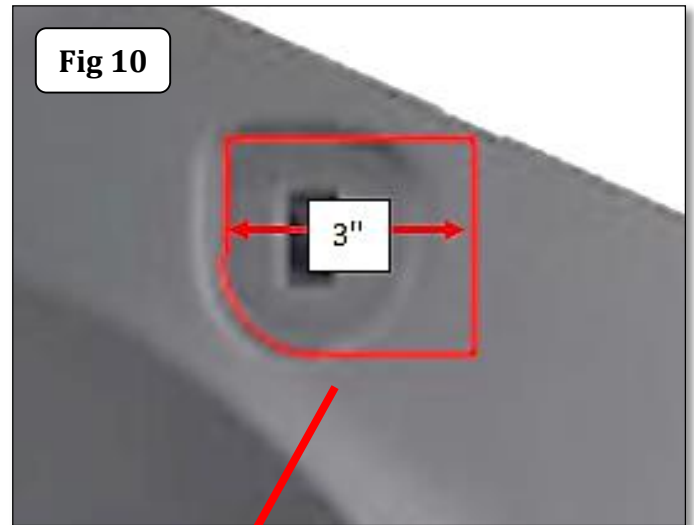
Right Side C-Pillar Trim



GO RHINO®

INSTALLATION INSTRUCTIONS

Step 14 Cut and remove the area from the left side and right side Quarter Trim Panels, (Fig 10 & 11). Reinstall the Quarter Trim Panels.

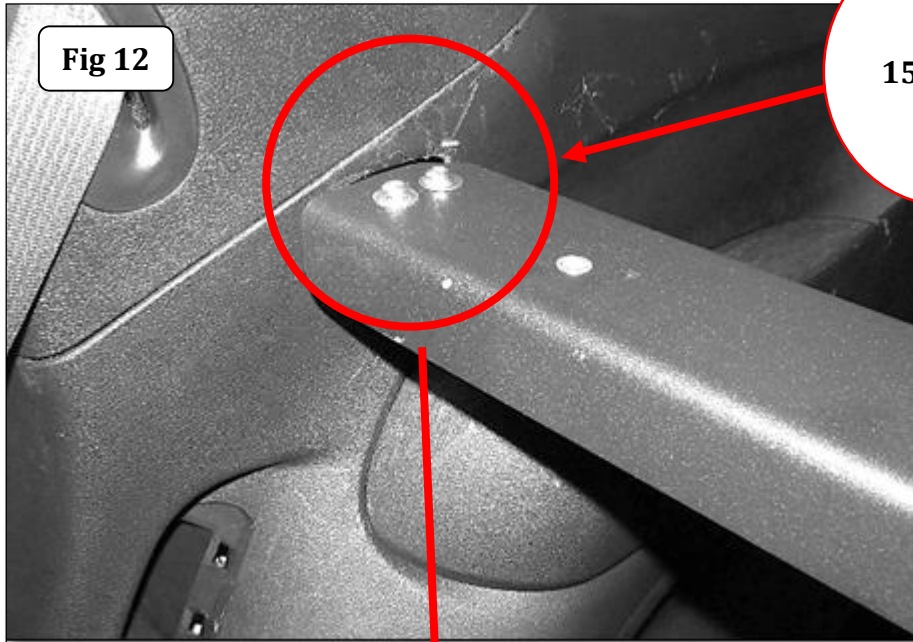


Step-15 Reinstall the D-Pillar trim. the cargo area storage components, compartments and covers.

GO RHINO®

INSTALLATION INSTRUCTIONS

Step 16 Attach the Support Beam to each C-Pillar Bracket using (2) ¼" x 3/4" button head Torx screws, (2) ¼" Lock Washers and (2) ¼" Flat Washers, (Fig 12 & 13). Note: The large flange on the Support Beam should be to the front of the vehicle.

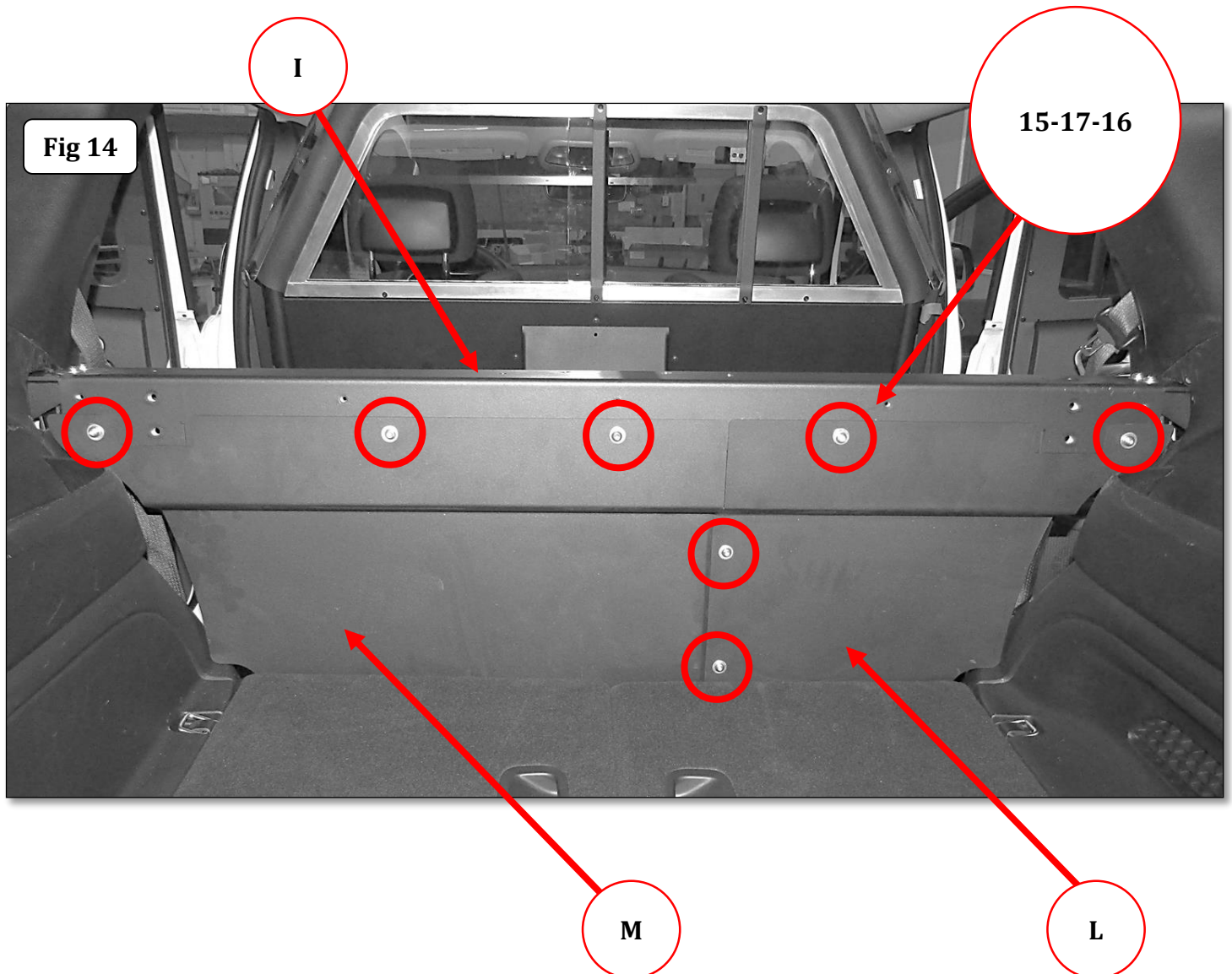


GO RHINO®

INSTALLATION INSTRUCTIONS

Step-17 Install the Left side Lower Closeout Panel first. Slide the bottom edge of the Closeout Panel into the groove of the storage compartment then attach the Closeout Panel to the Support Beam using (3) ¼" x 3/4" button head Torx screws, (3) ¼" Lock Washers and (3) ¼" Flat Washers, (Fig 14). Do not tighten at this time.

Step-18 Next install the Right Side Closeout Panel. Slide the bottom edge of the Closeout Panel into the groove of the storage compartment then attach the Closeout Panel to the Support Beam using (2) ¼" x 3/4" button head Torx screws, (2) ¼" Lock Washers and (2) ¼" Flat Washers, and to the Left Closeout Panel using (2) ¼" x 3/4" button head Torx screws, (2) ¼" Lock Washers and (2) ¼" Flat Washers, (2) ¼"-20 x 1" hex head screws, (2) ¼" lock washers and (2) ¼" flat washers, (Fig 14). Tighten all fasteners securely.

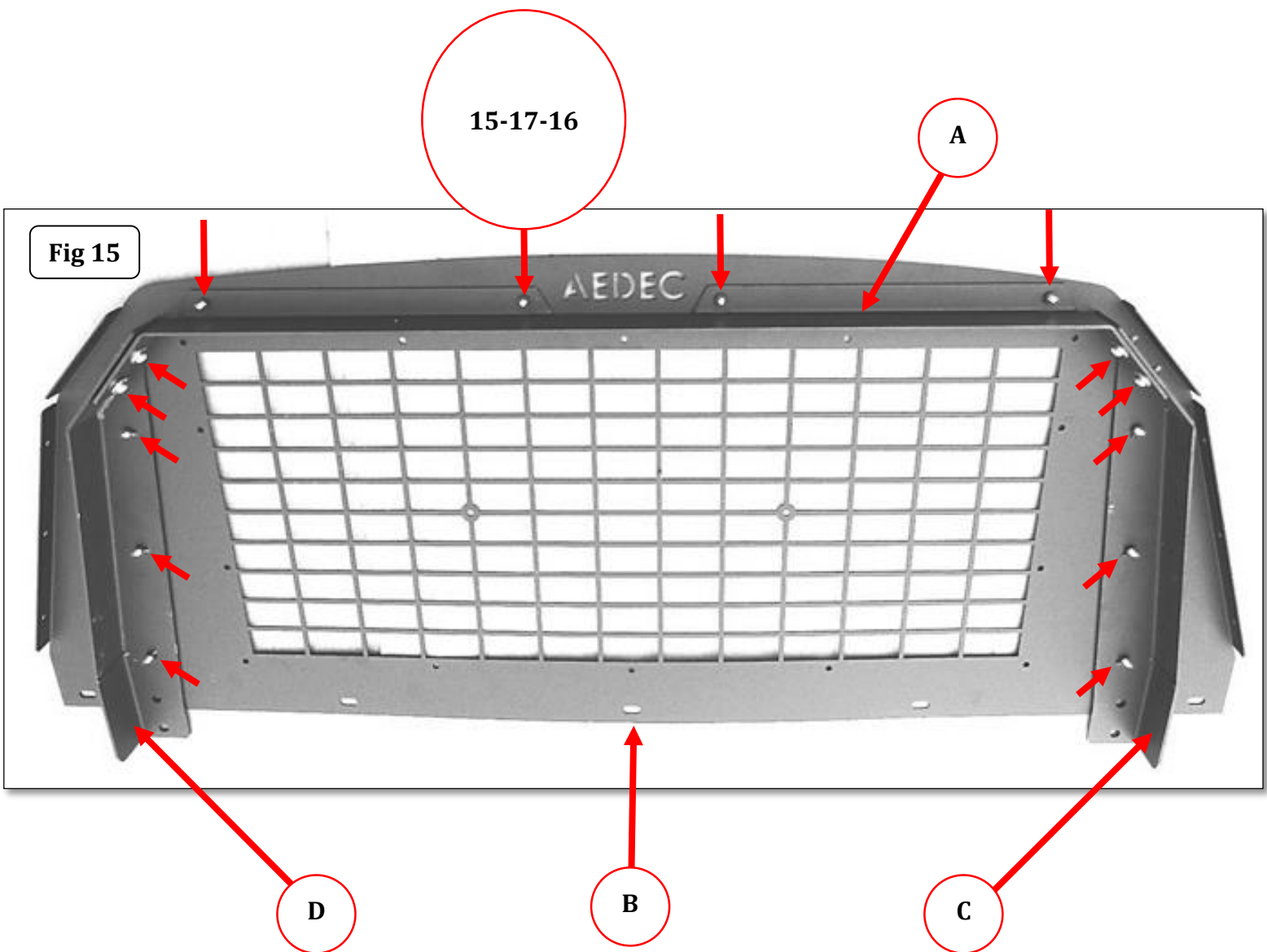


GO RHINO®

INSTALLATION INSTRUCTIONS

Step-19 Lay the Partition Screen, Strut Brackets and Cross Brace components on a protective surface. Attach each Strut Bracket to the Partition Screen using (3) ¼" x 3/4" button head Torx screws (3) ¼" lock washers and (3) ¼" flat washers, (Fig 15). Do not tighten the screws.

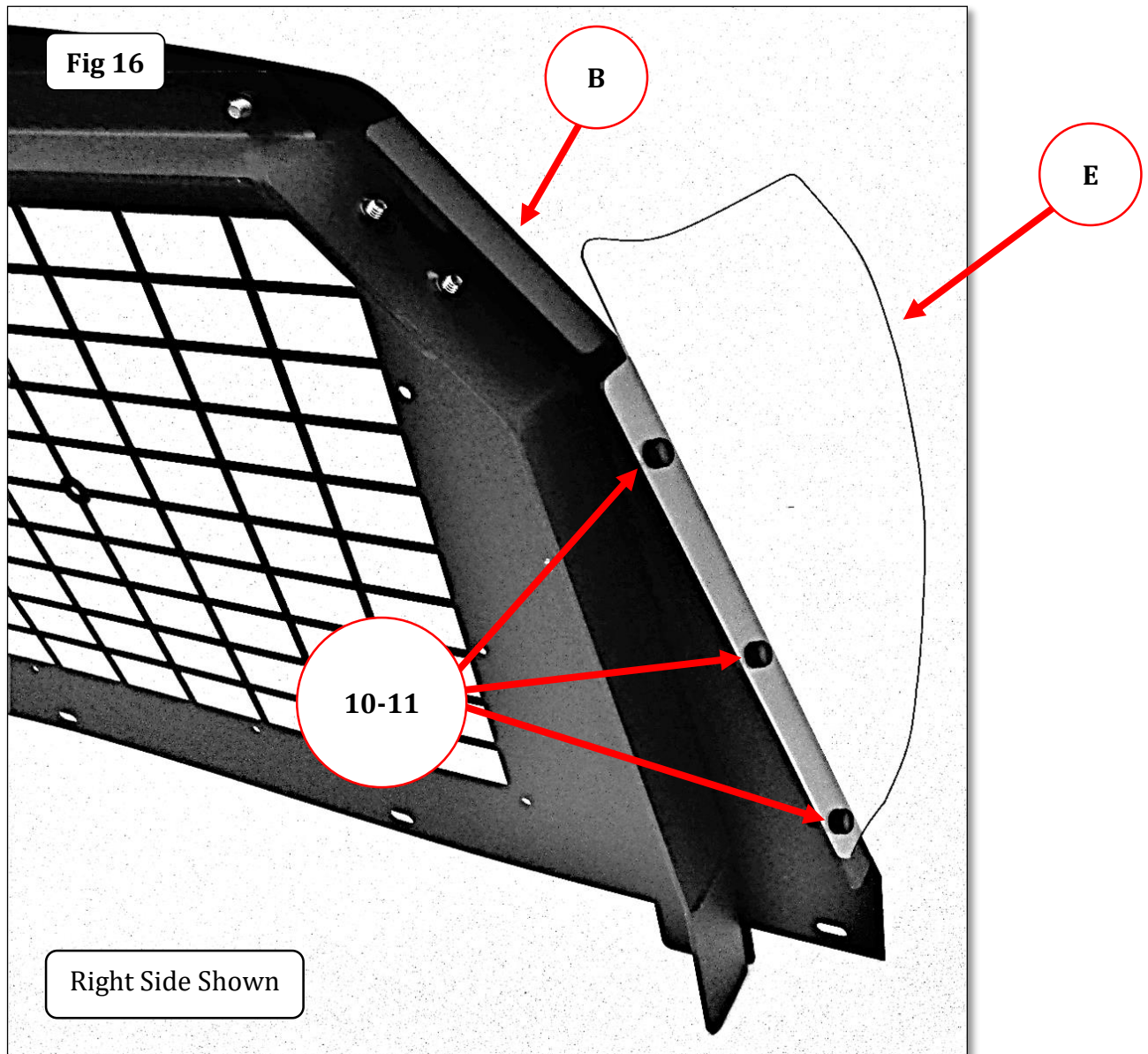
Step-20 Attach the Cross Brace to each Strut Bracket using (2) ¼" x 3/4" button head Torx screws (2) ¼" lock washers and (2) ¼" flat washers, then to the screen using (4) ¼" x 3/4" button head Torx screws (4) ¼" lock washers and (4) ¼" flat washers, (Fig 15). Once all the fasteners are in place; securely tighten



GORRHINO®

INSTALLATION INSTRUCTIONS

Step-21 Attach each Partition Screen Upper Filler Panel to the Partition Screen using (3) ¼" x ¾" nylon hex head screws and (3) ¼" nylon hex nuts, (Fig 16). Once all the fasteners are in place; securely tighten.

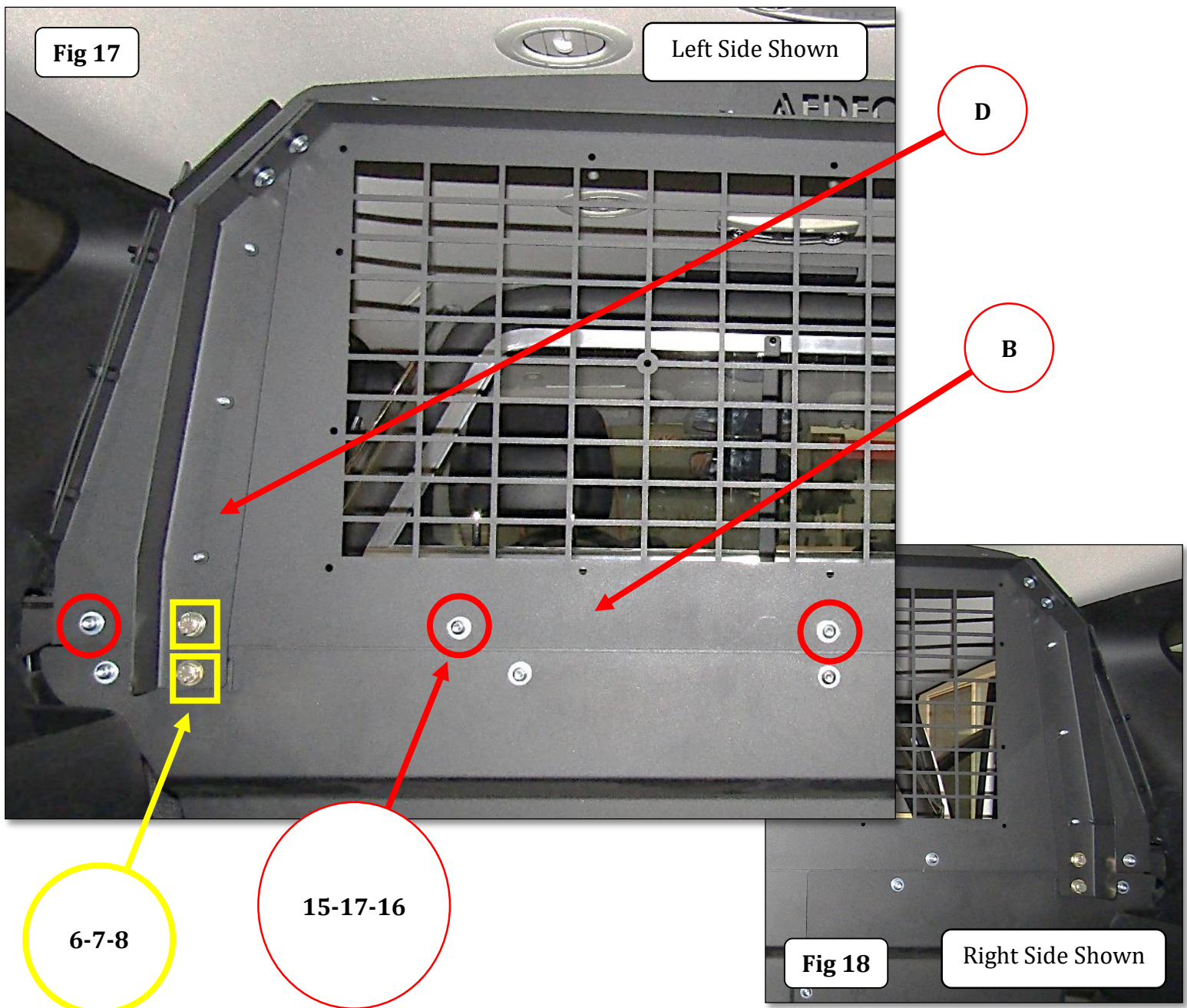


GO RHINO®

INSTALLATION INSTRUCTIONS

Step 22 Place the Partition Screen and component assembly through the cargo area of the vehicle. With assistance, Attach the Partition Screen to the Support Beam using (5) 1/4" x 3/4" button head Torx screws (5) 1/4" lock washers and (5) 1/4" flat washers, then to the screen using (4) 1/4" x 3/4" button head Torx screws (4) 1/4" lock washers and (4) 1/4" flat washers, (Fig 17). Do not tighten at this time.

Step-23 Attach each Strut Bracket to the Support Beam using (2) 3/8" x 1" hex bolts, (2) 3/8" lock washers and (2) 3/8" flat washers, (Fig 17 & 18). Once all the fasteners are in place; securely tighten.





INSTALLATION INSTRUCTIONS

LIMITED WARRANTY

Go Rhino warrants to Buyer that for a period of five (5) years from the date of shipment of the product(s) ("Warranty Period") for black finishes and chrome finishes, that such products will materially conform to the specifications set forth in Go Rhino's specifications in effect as of the date of shipment(s) and will be free from material defects in material workmanship.

Go Rhino warrants to Buyer that for the life of the product(s) from the date of shipment of the product(s) ("Warranty Period") for polished stainless steel finished products purchased after April 2004, that such products will materially conform to the specifications set forth in Go Rhino's specifications in effect as of the date of shipments and will be free from material defects in material workmanship.

Warranty claims must be accompanied with the original invoice and photos of the product. It is the customer's responsibility to clean regularly and protect finish with regular applications of a nonabrasive polish that is compatible with the product's finish.

This warranty covers the cost of the product only and does not include the cost of removal, installation, third party modifications or shipping of the product. In no event shall Go Rhino be liable to buyer or any third party for any damage or harm caused by the product or use thereof, regardless of whether such damages were foreseeable and whether or not Go Rhino has been advised of the possibility of such damages, not withstanding the failure of any agreed or other remedy of its essential purpose. This warranty is void if the product shows signs of alteration, misuse, mishandling, improper care, neglect, improper application and/or damage due to improper installation.

With respect to any such product(s) during the limited warranty period, Go Rhino shall, in its sole discretion, either: (i) provide a one-time repair or replacement of such products (or the defective part) or (ii) credit or refund the price of such products at the pro rata contract rate provided that, if Go Rhino so requests, Buyer shall, at Go Rhino's expense, return such product(s) to Go Rhino. The remedies shall be the Buyer's sole and exclusive remedy and Go Rhino's entire liability for any breach of the limited warrant(ies).

Go Rhino disclaims all other warranties except to the extent that any such warranty cannot be validly disclaimed under applicable law.

Finish Limited Warranty:

Limited lifetime on stainless steel products (after April 2004)

5 year warranty on black powder coat products

5 year warranty on chrome products

This warranty does not cover exposed welds

Finish warranty covers peeling, flaking, or cracking. Washing all finishes regularly with car wash soap and rinsing well with water is the best method for maintaining the finish on your products. You must also protect the finish with nonabrasive automotive wax on a regular basis. The use of any compound which contains abrasives becomes a self-defeating exercise as the compound scratches the finish and opens it to corrosion. The use of harsh chemicals used to remove bugs and tar may also cause the finish to fail and should be avoided.

If you are unsatisfied with your purchase please contact the establishment you purchased the product from.

If you need to place a warranty claim or need assistance, the Go Rhino customer service team will answer any questions you may have. Please contact the Go Rhino customer service team at 1-888-427-4466 during normal business hours Monday thru Friday 7 am to 5 pm PST. You may also email warranty@gorhino.com. In order to better serve you please provide a copy of the original invoice / receipt, a photo of the issue you are experiencing and a photo of the vehicle the product is installed on.

All warranty returns must have an approved RGA number. The RGA number must be clearly marked on the exterior of the return package. All approved warranty returns must be shipped to Go Rhino Products, 810 Nafta Blvd Laredo, TX 78045

PRODUCT REGISTRATION

Please remember to register your new purchase. You may register your product at www.gorhino.com. Registering your product may help speed any future warranty or customer service inquiries.

Thank you again for purchasing from Go Rhino Products

Please take a few minutes to view additional products for your vehicle and more at GORHINO.com
These installation instructions are available on the Go Rhino web site along with installation videos for many of our products.

www.gorhino.com

www.bigcountryauto.com

www.gorhinopd.com