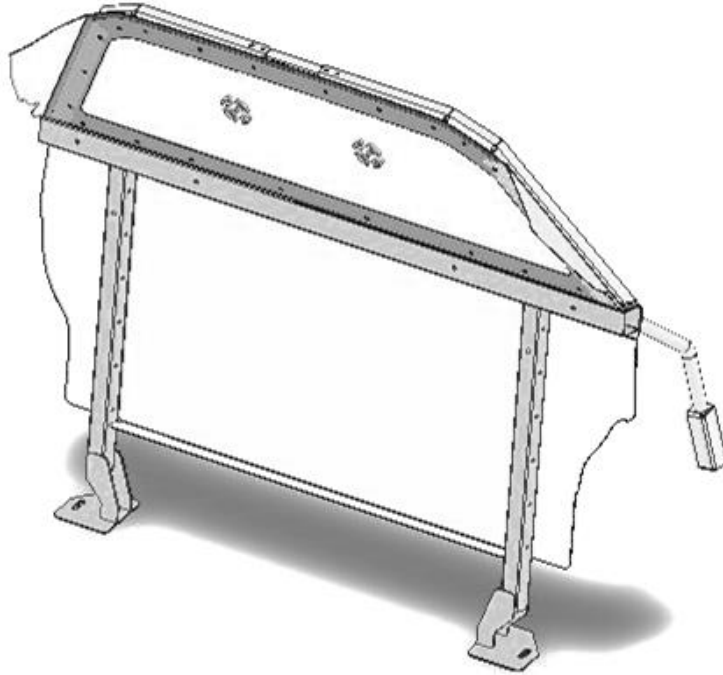


GO RHINO®

INSTALLATION INSTRUCTIONS



PART NO.

- 5706FW

PRODUCT DESCRIPTION:

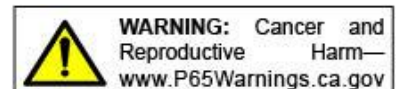
- FULL WINDOW REAR PARTITION

APPLICATION:

- FORD INTERCEPTOR UTILITY

PRODUCT SAFETY & LEGAL DISCLAIMER

- **IMPORTANT READ ALL INSTRUCTIONS CAREFULLY BEFORE INSTALLING, FAILURE TO DO SO MAY CAUSE PERSONAL INJURY OR DAMAGE TO PRODUCT AND/OR PROPERTY.**
- **Review the product package and contents prior to beginning the installation.** Take care when opening the packaging and removing items. If a return is needed you will want to return the product in its original packaging if possible.
- This instruction guide is provided as a GENERAL installation guide, some vehicles vary dimensionally and may require additional steps.
- Test fit the product on the vehicle prior to any third party modifications and or finishing. The manufacturer and/or distributors do not accept responsibility for third party charges, labor and or third part replacement modifications. Some modifications may void the factory warranty.
- Exercise due-diligence when installing this product. The manufacturer and distributors of this product do not accept any responsibility for vehicle damage or personal injury resulting from the installation of this product. Careless installation and operation can result in serious injury or equipment damage.
- This product is for general off-road use. All liability for installation and use rests with the owner/operator.
- **INSTALLER:** Once installation is complete, please return this guide along with other documentation included in this product back to the consumer for future reference. The manufacturer/distributors of this product do not guarantee this particular version will be available at a later date.



© 2016 Go Rhino Products. All rights reserved

www.gorhino.com

589 W. Apollo St., Brea, CA 92821

P: 888 427 4466



INSTALLATION INSTRUCTIONS

INJURY HAZARD

Please complete a shop and tool inspection prior to beginning the installation.

- Always make sure you have a clean, dry and well lit work area.
- Always remove jewelry, loose fitting clothing and wear protective gloves and eye protection.
- Always use extreme caution when jacking or raising a vehicle for work. Set the emergency brake and use tire/wheel blocks and jack stands. Refer to the vehicle manufacturer hand book. Utilize the vehicle manufacturers designated lifting points.
- Always use appropriate and adequate care in lifting parts during disassembly and installation. Seek help in lifting heavy or large items into place. Utilize jacks and or lifting devices when available.
- Always insure products are secure during disassembly and installation.
- Always wear eye protection and take steps to protect any exposed skin during the installations. Drilling, cutting and grinding plastic and metal may create flying particles that can cause injury.
- Always use extreme caution when drilling, cutting and or grinding on a vehicle. Thoroughly inspect the area to be drilled, on both sides of material, prior to modification and relocate any objects that may become damaged.
- Always assemble and tighten all fasteners per the installation instructions.
- Always route electrical cables carefully. Avoid moving parts, parts that may become hot and rough or sharp edges.
- Always insulate and protect all exposed wiring and electrical connections.

MAINTENANCE AND CARE

- Always perform regular inspections and maintenance on mounts and related fasteners.
- Periodically check and tighten all fasteners.
- Stripped, fractured, or bent fasteners must be replaced.
- After washing the vehicle make sure to fully dry all surfaces.
- In areas with cold temperatures make sure to wash the product often to remove harmful materials used on road ways.
- Never use abrasive cleaners or polish compounds. Clean with a gentle soap and water. If you use wax use a non-abrasive automotive wax such as pure carnauba wax.

WARNING

Some products have been designed to work together with factory rear sensor systems, factory forward facing sensor systems and factory air bags.

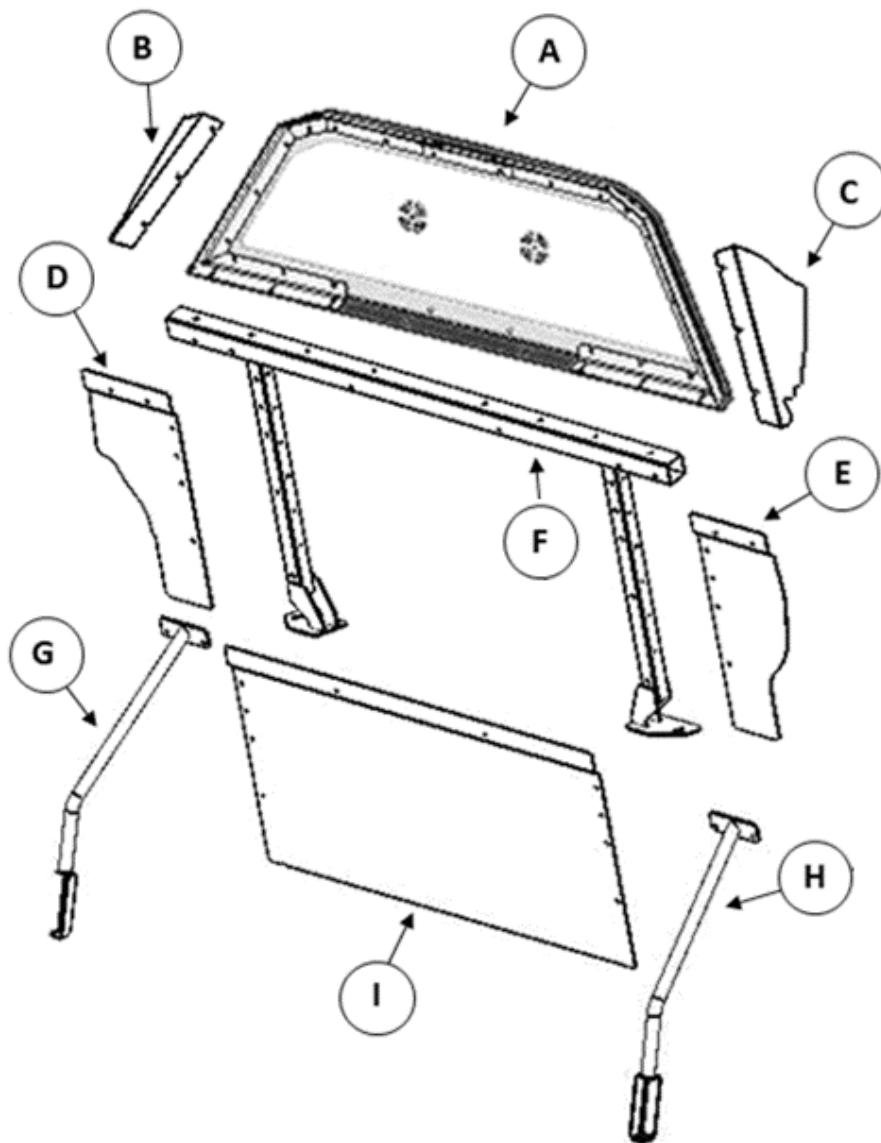
- Installation of some of these products may alter the factory sensor system performance.
- Factory sensors may read shackles or hooks protruding from the fairlead and or tow hooks.
- All sensor testing is completed by Go Rhino Products and or third party testing labs on modified vehicles.
- Sensor sensitivity, factory sensor housing, orientation, and operating conditions are all variables that will influence functionality of the sensors.
- Installation of some product may effect the factory air bag systems.
- Some products allow the use of third party products such as winches, shackles, hooks, etc. Follow the respective manufacturers operating instructions for use with our products.
- Make sure to fully understand the product, it's intended use and operation prior to use.
- Above all... be safe!

GO RHINO®

INSTALLATION INSTRUCTIONS

PARTS INCLUDED IN THIS LIST:

Item	Qty	Description	Item	Qty	Description
A	1	Window Assembly	F	1	Rear Cross Bar
B	1	Upper Filler Panel (Left Side)	G	1	Floor Strut (Left Side)
C	1	Upper Filler Panel (Right Side)	H	1	Floor Strut (Right Side)
D	1	Closeout Panel (Left Side)	I	1	Center Closeout Panel
E	1	Closeout Panel (Right Side)	J	1	

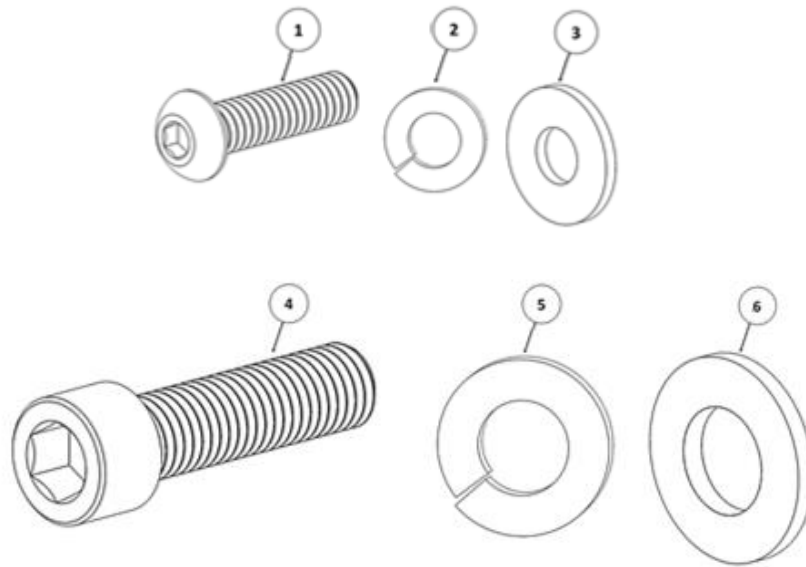


GO RHINO®

INSTALLATION INSTRUCTIONS

PARTS INCLUDED IN THIS LIST:

Item	Qty	Description	Item	Qty	Description
1	22	Button Head Hex Drive Screws, 1/4"-20 x 1"	4	2	Socket Head Screw M12 x 1.75 mm x 45 mm
2	22	Split Lock Washer 1/4"	5	2	Split Lock Washer M12
3	22	Flat Washer 1/4"	6	2	Flat Washer M12



Go Rhino recommends you, the installer, read this installation instruction manual from front to back before installing the product. You may also [click here](#) to view an installation video or visit <http://www.gorhino.com/Installation-Videos>.

TOOLS NEEDED FOR INSTALLATION:

- Inch & Metric Wrench Set
- Inch & Metric Socket Set
- T45 Torx Bit Socket
- 5/32" & 10MM Hex Bit Socket
- Ratchet & Ratchet Extension
- Tape Measure
- Hand Saw

ESTIMATED TIME FOR INSTALLATION:

1 1/2 Hour

If you need installation service for your new product, call the authorized distributor from whom you purchased the product or an authorized installation service company which can be found by calling toll free 1-888-427-4466

GO RHINO®

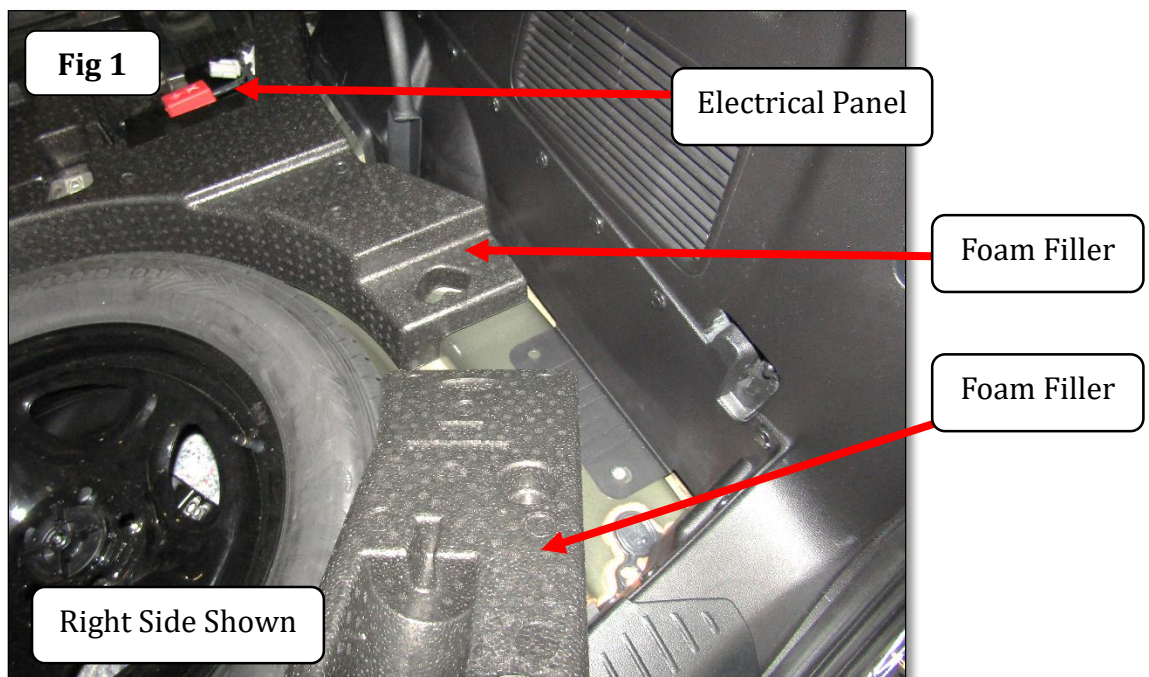
INSTALLATION INSTRUCTIONS

Step-1 Open the rear lift gate, and remove the rear cover from the load compartment, (Fig 1).

Step-2 Remove the (2) Torx head screws one per side securing the front cover using a T45 Torx bit socket. Remove the front cover from the load compartment, (Fig 1).



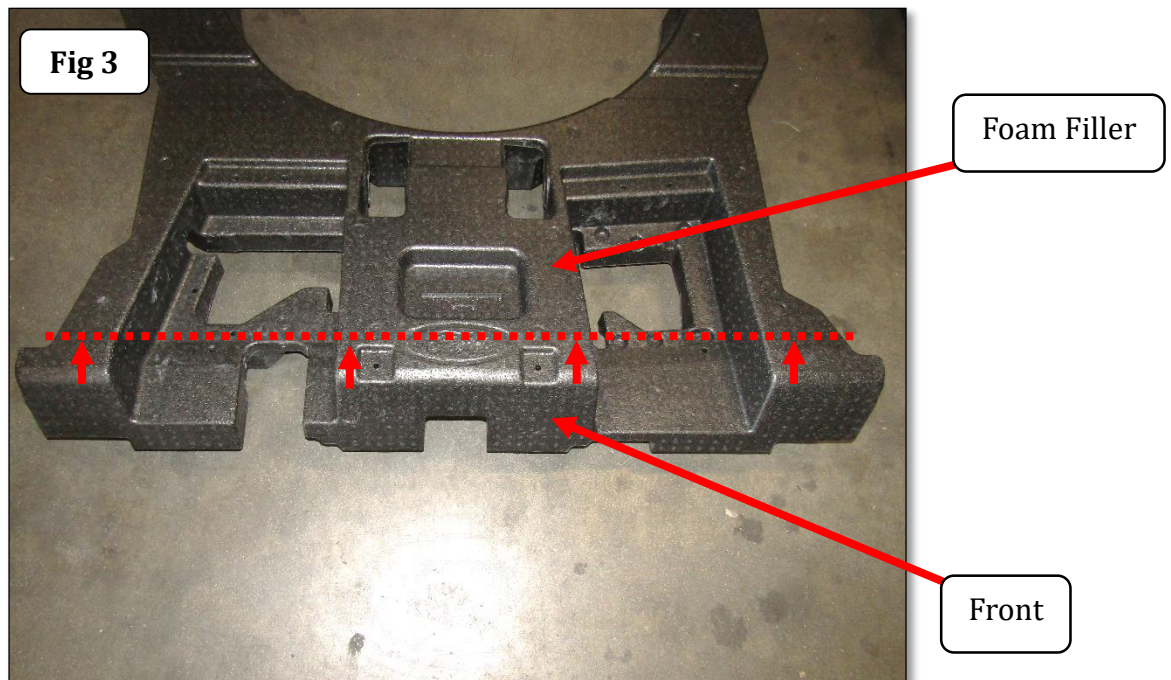
Step-3 Remove the foam filler from each side of the spare tire well, and the large foam filler from front area of the load compartment, (Fig 2). Note: Remove the electrical panel from the large foam filler.



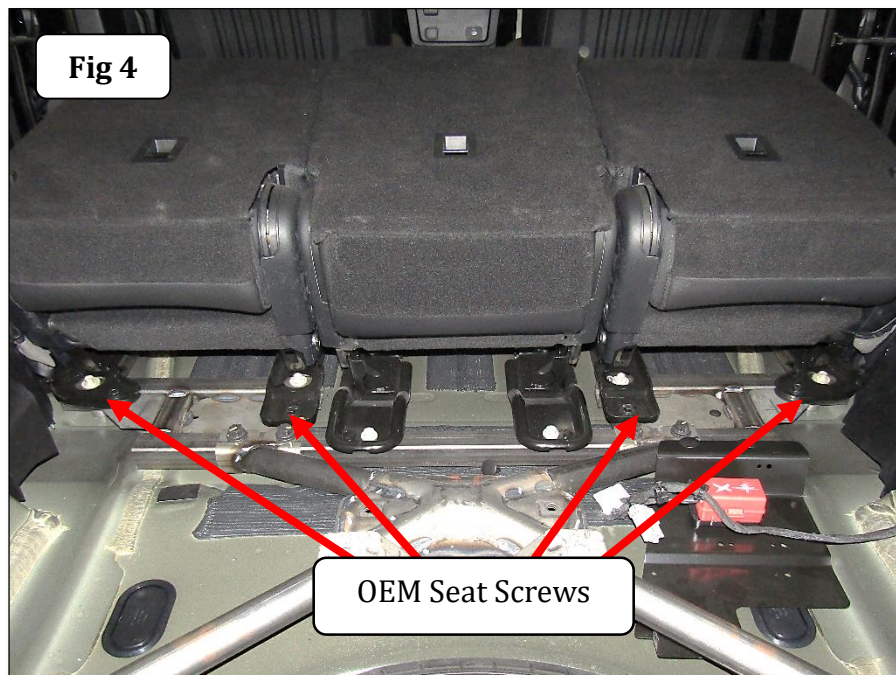
GO RHINO®

INSTALLATION INSTRUCTIONS

Step-4 With the large foam filler removed, measure rearward from the front to the center of the Ford logo, and cut off the front section of the foam filler, (Fig 3). Using a handsaw is the recommended method of cutting.



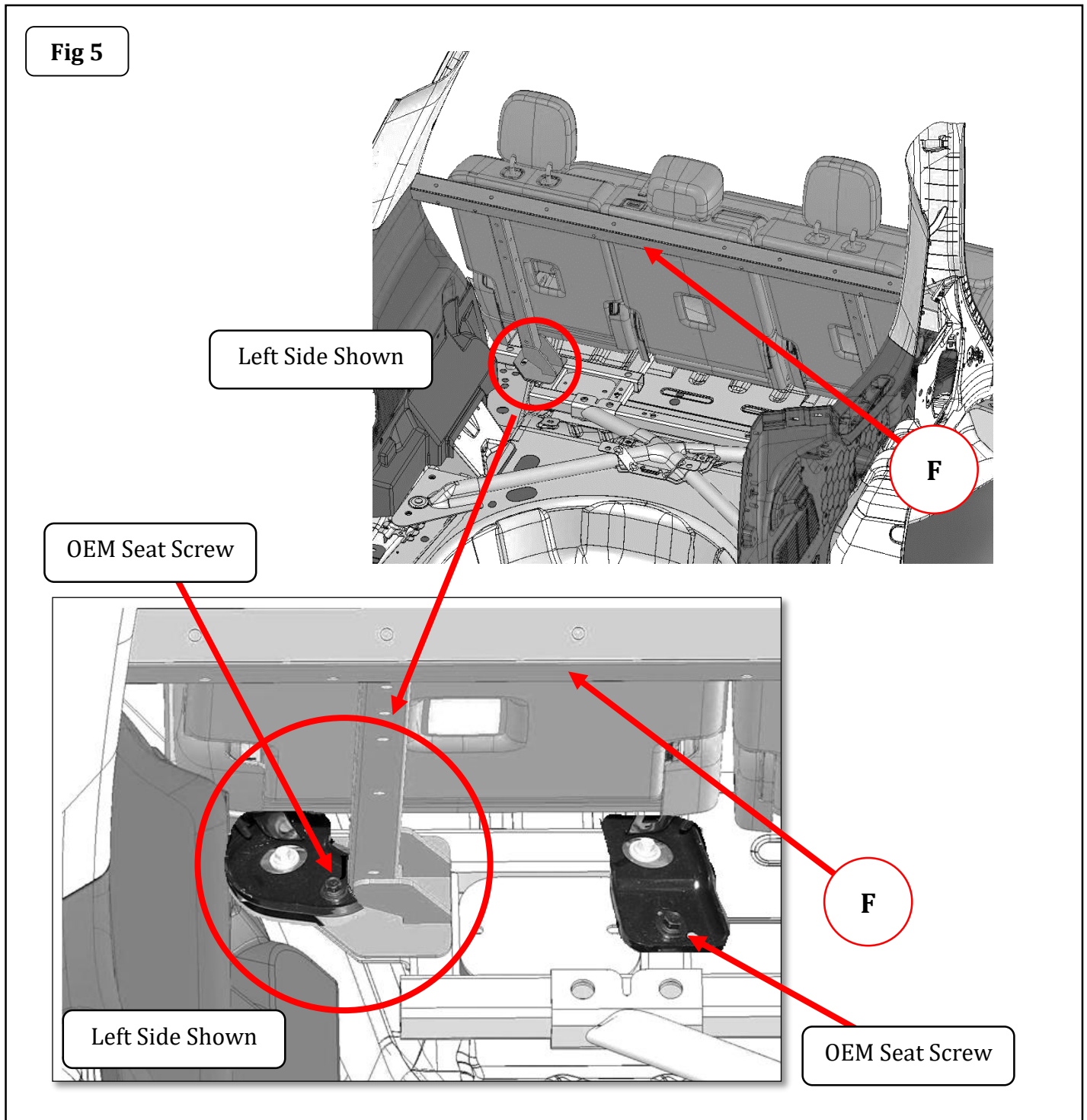
Step-5 Remove (1) screw from each bracket securing the left and right rear seat section brackets to the structure frame using a 13mm socket, (Fig 4). Retain the Screws.



GO RHINO®

INSTALLATION INSTRUCTIONS

Step-6 With assistance, place the crossbar behind the rear seats, and position the crossbar foot brackets under the outer bracket of the left and right rear seats and reinstall the (4) OEM bolts, (Fig 5). Snug do not tighten the bolts.

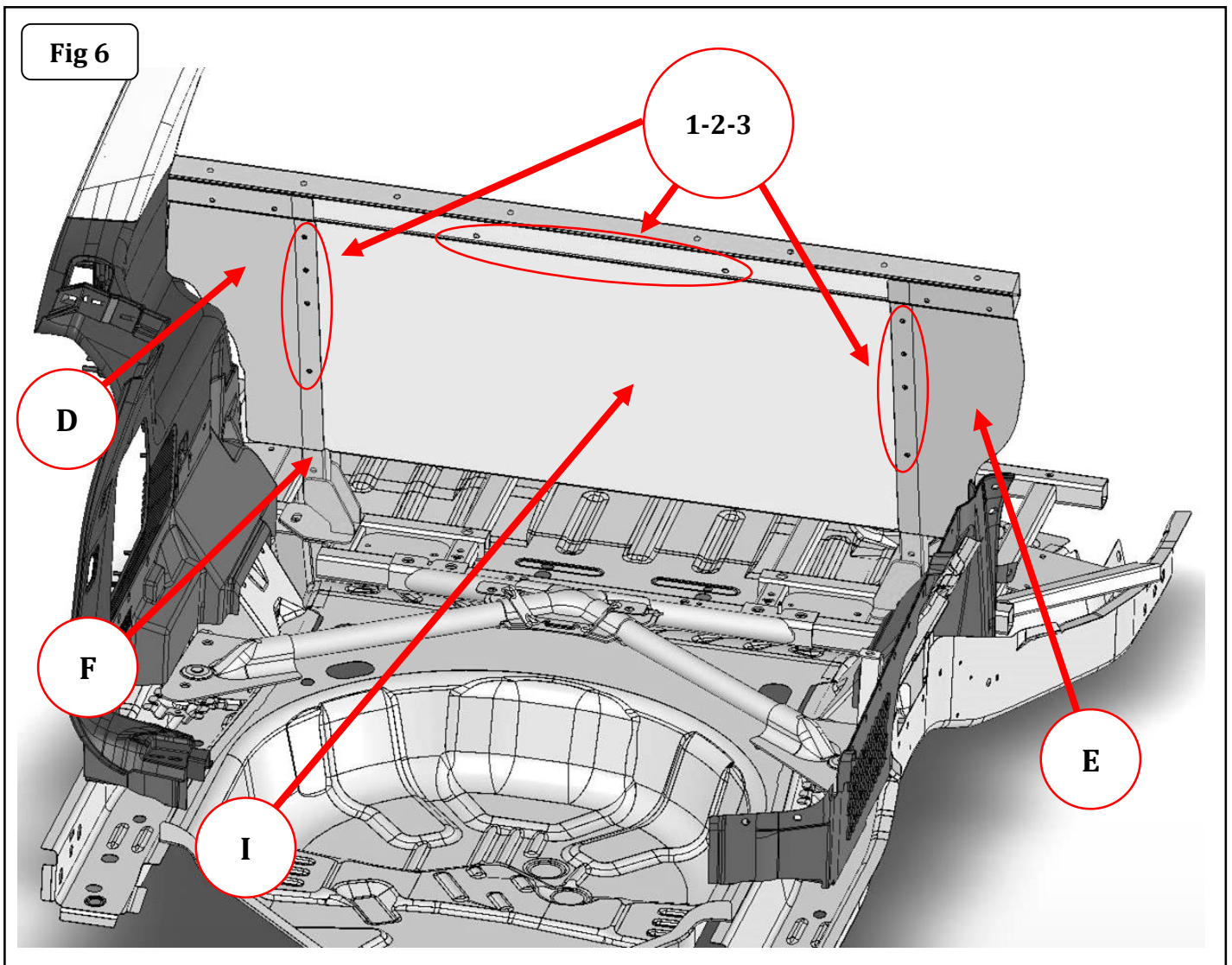


GO RHINO®

INSTALLATION INSTRUCTIONS

Step-7 Install the center closeout panel first. Align the (2) holes in the top of the center closeout panel with the rivet-nuts installed in the rear crossbar main tube and attach the closeout panel to the crossbar main tube using (2) [Item 1] ¼" x 1" button head screws, (2) [Item 2] ¼" lock washers and (2) [Item 3] ¼" flat washers, (Fig 6). Do not tighten the screws.

Step-8 Next install the left side closeout panel. Align the (4) holes in the side of the close out panel with the holes in the center closeout panel and the rivet-nuts installed in the vertical tube of the rear crossbar. Attach the left closeout panel and center closeout panel to the vertical tube of the rear crossbar using (4) [Item 1] ¼" x 1" button head screws, (4) [Item 2] ¼" lock washers and (4) [Item 3] ¼" flat washers, (Fig 6). Do not tighten the screws. Repeat for the right side closeout panel.

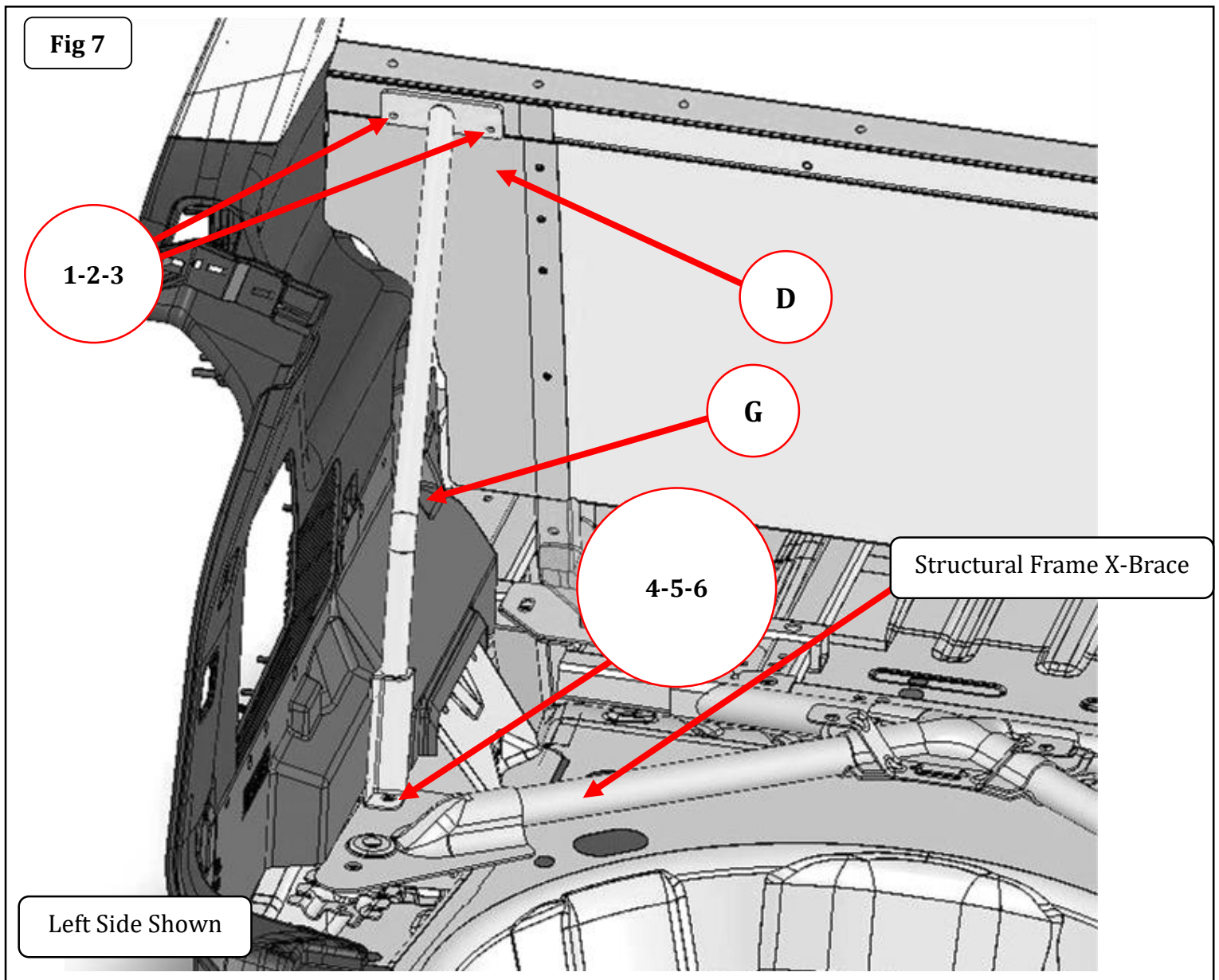


INSTALLATION INSTRUCTIONS

Step-9 On each side of the vehicle, Remove (1) bolt securing the structural frame X-brace using an 18mm socket and ratchet.

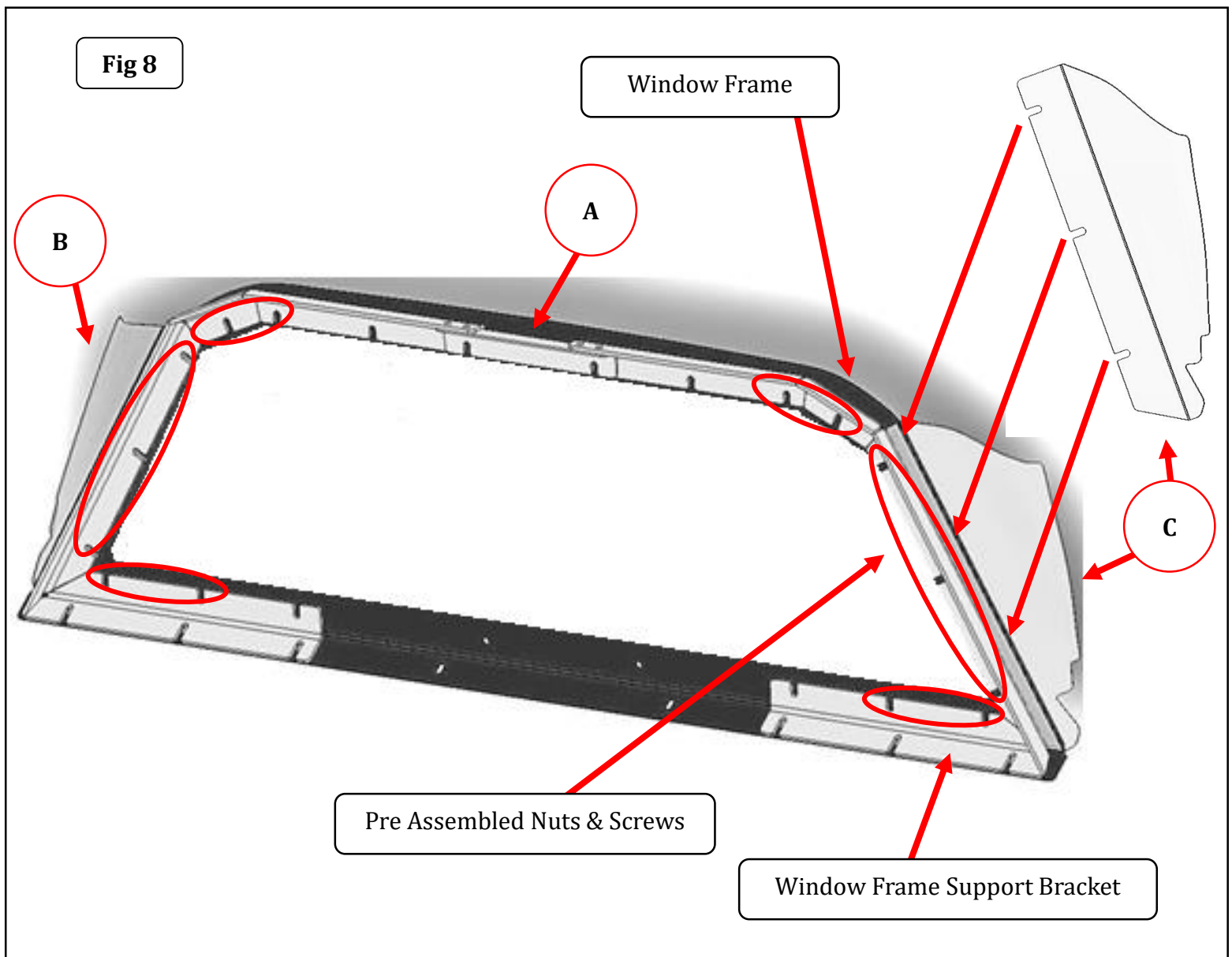
Step-10 Align the hole in foot bracket of each floor strut with the structural frame X-brace attachment hole and install (1) [Item 4] M12 x 45mm socket head screw, (1) [Item 5] 12mm lock washer and (1) [Item 6] 12mm flat washer to secure the X-brace and each floor strut, (Fig 7). Snug do not tighten the bolts.

Step-11 Align the two holes in the bracket and attach the opposite end of each floor strut and closeout panel to the crossbar main tube using (2) [Item 1] ¼" x 1" button head screws, (2) [Item 2] ¼" lock washers and (2) [Item 3] ¼" flat washers, (Fig 7). Do not tighten the screws.



INSTALLATION INSTRUCTIONS

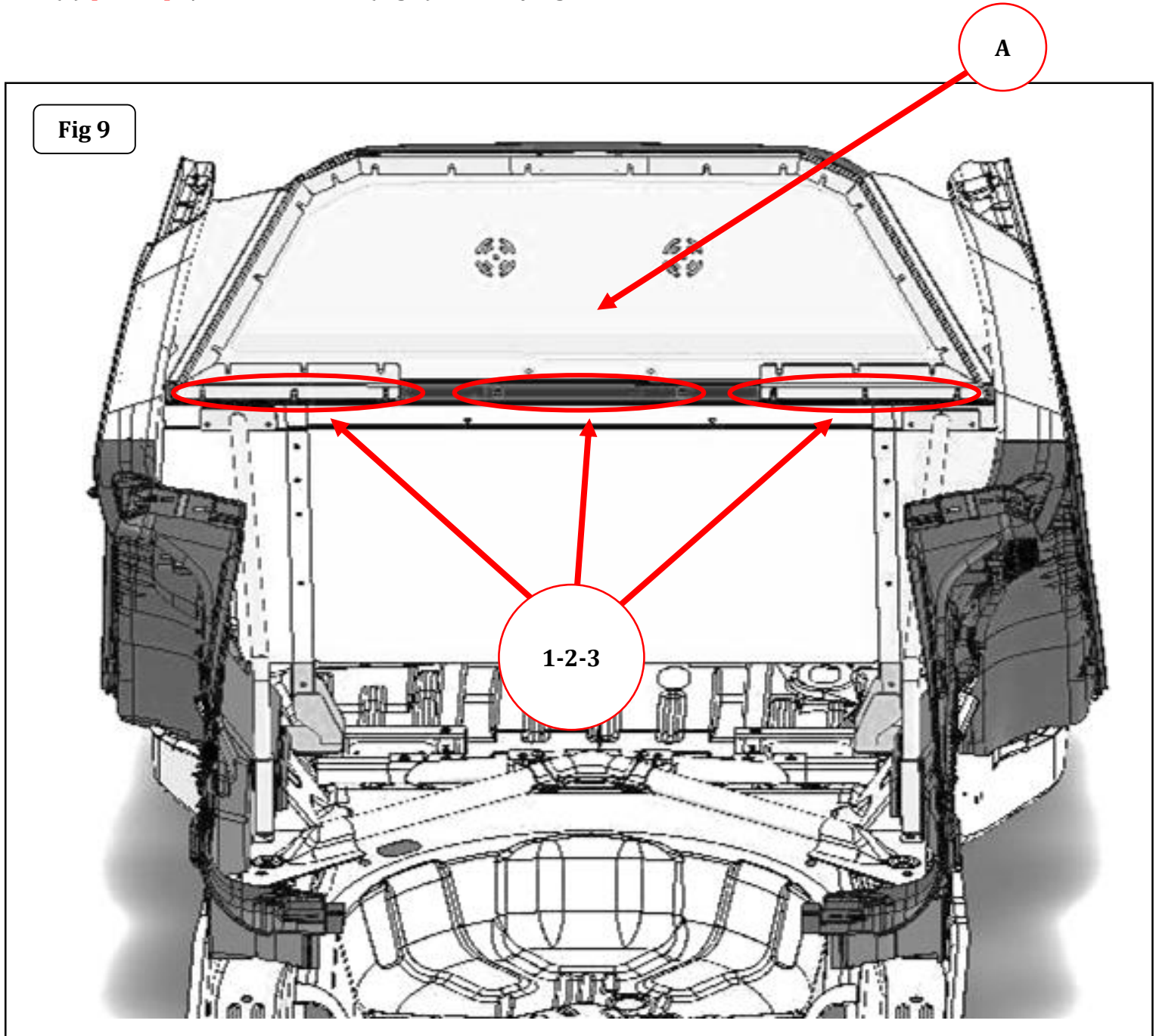
Step-12 Loosen the (7) nuts and screws on each side of the window assembly. Align the three slots with the screws and slide the polycarbonate upper filler panel into position between the window frame and the window frame support bracket then retighten the nuts and screws, (Fig 8). Repeat for the left side.



GO RHINO®

INSTALLATION INSTRUCTIONS

Step 13 With assistance place the window and upper filler panel assembly through the cargo area of the vehicle. Attach the screen window frame and the window frame support bracket to the rear crossbar main tube using (8) [Item 1] ¼" x 1" button head screws, (8) [Item 2] ¼" lock washers, and (8) [Item 3] 1/4" flat washers, (Fig 9). Securely tighten the screws.

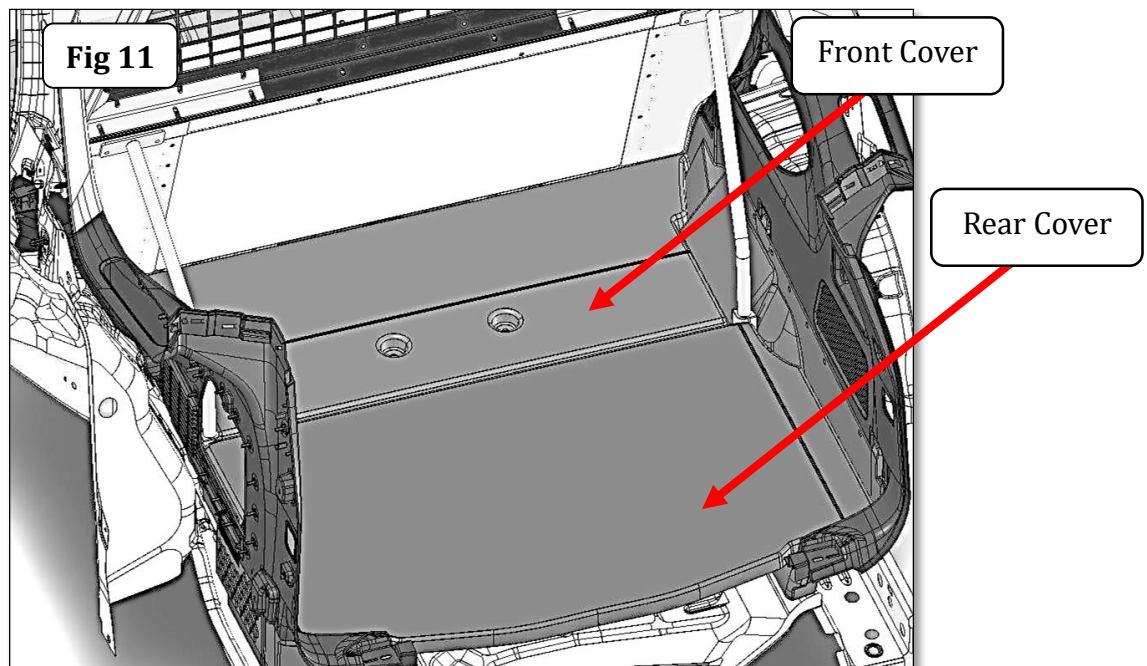
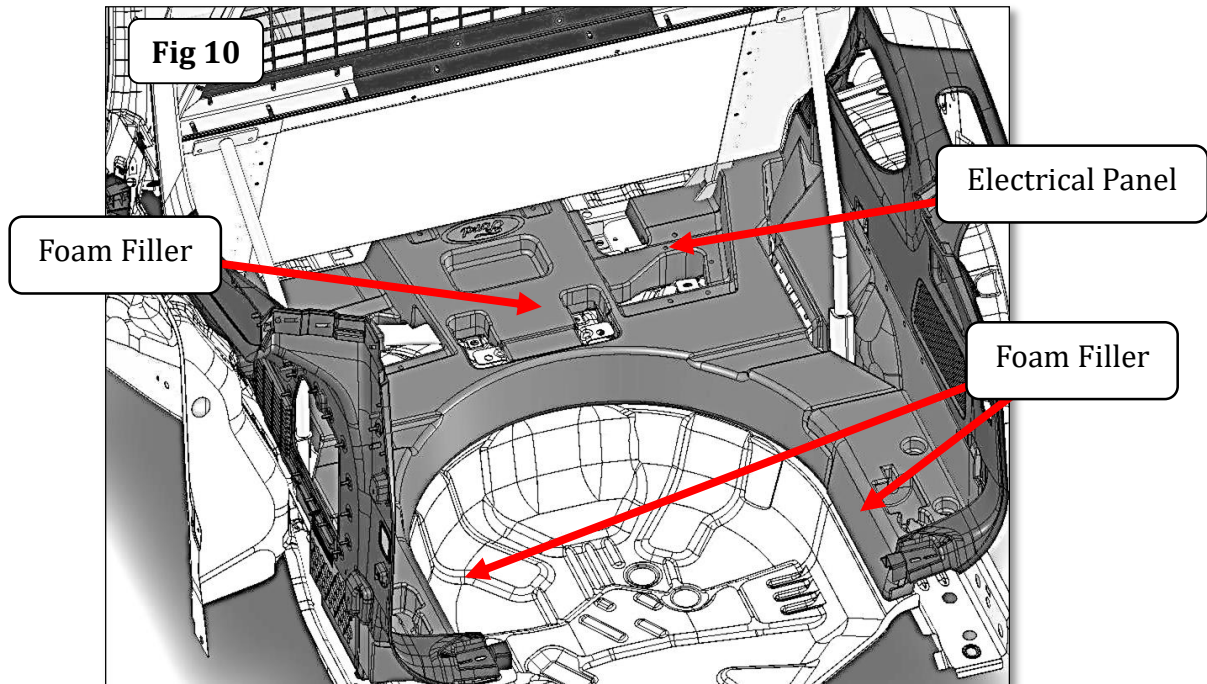


GO RHINO®

INSTALLATION INSTRUCTIONS

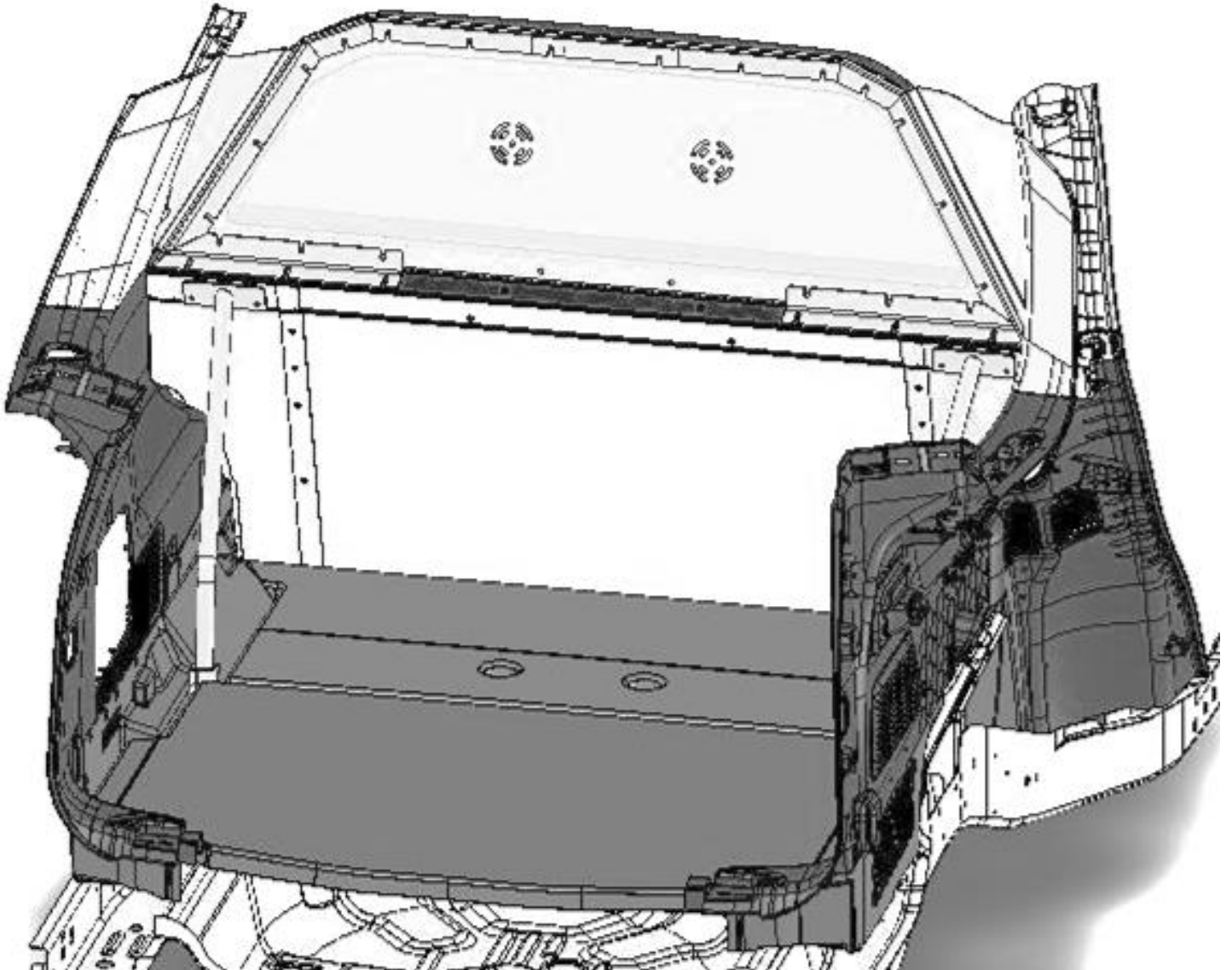
Step 14 Reinstall the large foam filler and the foam filler from each side of the tire well, (Fig 10). Reattach the electrical panel.

Step-15 Reinstall the front cover and screws, then the rear cover in the load compartment, (Fig 11).



GO RHINO[®]

INSTALLATION INSTRUCTIONS





INSTALLATION INSTRUCTIONS

LIMITED WARRANTY

Go Rhino warrants to Buyer that for a period of five (5) years from the date of shipment of the product(s) ("Warranty Period") for black finishes and chrome finishes, that such products will materially conform to the specifications set forth in Go Rhino's specifications in effect as of the date of shipment(s) and will be free from material defects in material workmanship.

Go Rhino warrants to Buyer that for the life of the product(s) from the date of shipment of the product(s) ("Warranty Period") for polished stainless steel finished products purchased after April 2004, that such products will materially conform to the specifications set forth in Go Rhino's specifications in effect as of the date of shipments and will be free from material defects in material workmanship.

Warranty claims must be accompanied with the original invoice and photos of the product. It is the customer's responsibility to clean regularly and protect finish with regular applications of a nonabrasive polish that is compatible with the product's finish.

This warranty covers the cost of the product only and does not include the cost of removal, installation, third party modifications or shipping of the product. In no event shall Go Rhino be liable to buyer or any third party for any damage or harm caused by the product or use thereof, regardless of whether such damages were foreseeable and whether or not Go Rhino has been advised of the possibility of such damages, not withstanding the failure of any agreed or other remedy of its essential purpose. This warranty is void if the product shows signs of alteration, misuse, mishandling, improper care, neglect, improper application and/or damage due to improper installation.

With respect to any such product(s) during the limited warranty period, Go Rhino shall, in its sole discretion, either: (i) provide a one-time repair or replacement of such products (or the defective part) or (ii) credit or refund the price of such products at the pro rata contract rate provided that, if Go Rhino so requests, Buyer shall, at Go Rhino's expense, return such product(s) to Go Rhino. The remedies shall be the Buyer's sole and exclusive remedy and Go Rhino's entire liability for any breach of the limited warrant(ies).

Go Rhino disclaims all other warranties except to the extent that any such warranty cannot be validly disclaimed under applicable law.

Finish Limited Warranty:

Limited lifetime on stainless steel products (after April 2004)
5 year warranty on black powder coat products
5 year warranty on chrome products
This warranty does not cover exposed welds

Finish warranty covers peeling, flaking, or cracking. Washing all finishes regularly with car wash soap and rinsing well with water is the best method for maintaining the finish on your products. You must also protect the finish with nonabrasive automotive wax on a regular basis. The use of any compound which contains abrasives becomes a self-defeating exercise as the compound scratches the finish and opens it to corrosion. The use of harsh chemicals used to remove bugs and tar may also cause the finish to fail and should be avoided.

If you are unsatisfied with your purchase please contact the establishment you purchased the product from.

If you need to place a warranty claim or need assistance, the Go Rhino customer service team will answer any questions you may have. Please contact the Go Rhino customer service team at 1-888-427-4466 during normal business hours Monday thru Friday 7 am to 5 pm PST. You may also email warranty@gorhino.com. In order to better serve you please provide a copy of the original invoice / receipt, a photo of the issue you are experiencing and a photo of the vehicle the product is installed on.

All warranty returns must have an approved RGA number. The RGA number must be clearly marked on the exterior of the return package. All approved warranty returns must be shipped to Go Rhino Products, 810 Nafta Blvd Laredo, TX 78045

PRODUCT REGISTRATION

Please remember to register your new purchase. You may register your product at www.gorhino.com. Registering your product may help speed any future warranty or customer service inquiries.

Thank you again for purchasing from Go Rhino Products

Please take a few minutes to view additional products for your vehicle and more at GORHINO.com
These installation instructions are available on the Go Rhino web site along with installation videos for many of our products.

www.gorhino.com

www.bigcountryauto.com

www.gorhinopd.com