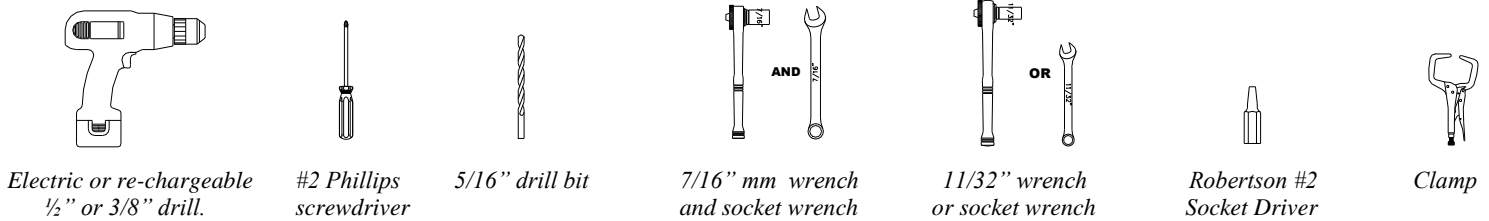


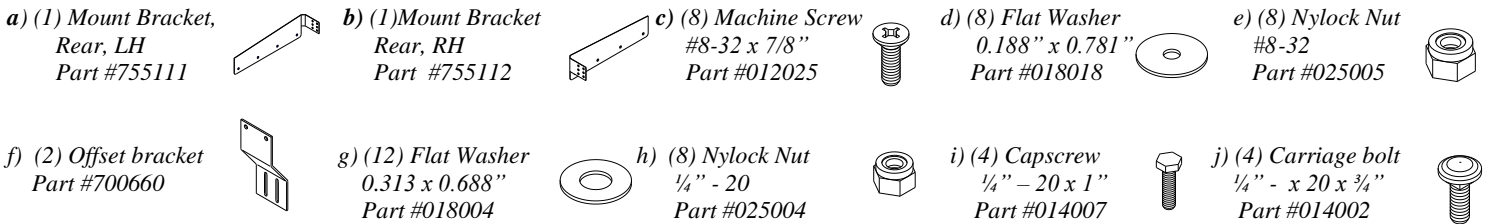
IMPORTANT:

The manufacturer is not responsible for negligent use of vehicle with mud flaps installed, including over-tightening of screws and bolts causing damage to vehicle or mud flaps.

TOOLS REQUIRED:



KIT CONTAINS: PARTS BAG #755138



INSTALLATION

For ease of installation, it is suggested that the wheel be removed.

1. Fasten the LH mount bracket to the flap with 4 machine screws / small washers and nylock nuts to Holes #1, #2, 3 and #4 or, if you prefer the flap mounted higher and farther away from the ground, then use Holes #5, #6, #7 and #8. See Diagram #1.
2. Bolt the offset bracket to the LH mount bracket of the LH mud flap assembly with 2 carriage bolts/small washers and nylock nuts. See Diagram #2. Loosely secure at this point.
4. Raise the offset bracket up against the bottom of the truck box on the frame and clamp the offset bracket in place.

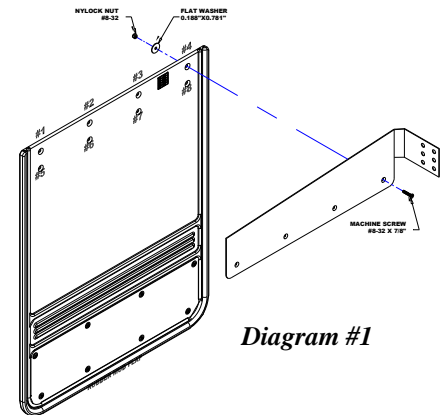
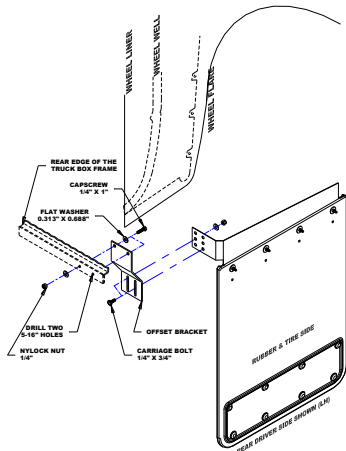


Diagram #1

Diagram #2



5. Push the offset bracket toward the back until the flap is parallel to the tire and then drill two 5/16" diameter holes from the center of the rounded holes on the offset bracket through the box flange and tighten with 2 capscrews/small flat washers and nylock nuts.

✓ Check all fasteners for tightness. Repeat procedure on the other side.