

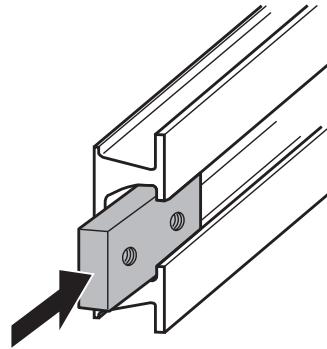
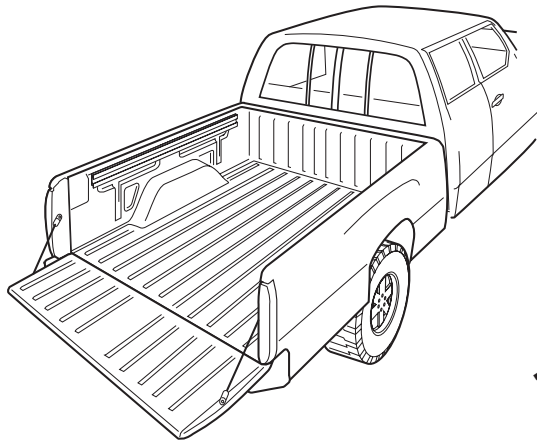
# SPECIAL INSTRUCTIONS FOR FACTORY RAILS/TRACKS

Vehicles with factory rail/track systems require the following clamp kits for installation of a TorzaTop tonneau cover

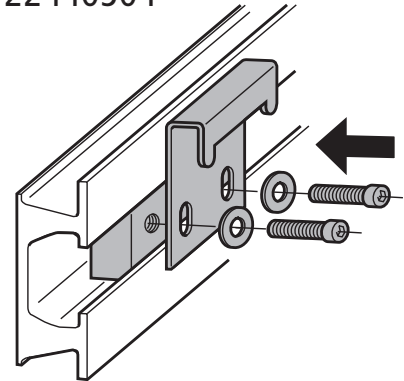
PART NO:	VEHICLE DESCRIPTION
22440504	CHEVROLET/GMC with Track System
22440702	DODGE DAKOTA with Track System
22440504	FORD with Track System
22440204	NISSAN FRONTIER with Track System
22440104	TOYOTA TACOMA with Track System
22440104	TOYOTA TUNDRA with Track System

For all rail/track systems, remove any factory bolts from rail channel if they interfere with installing the slide nut into channel. After installation, reinstall factory bolts as necessary.

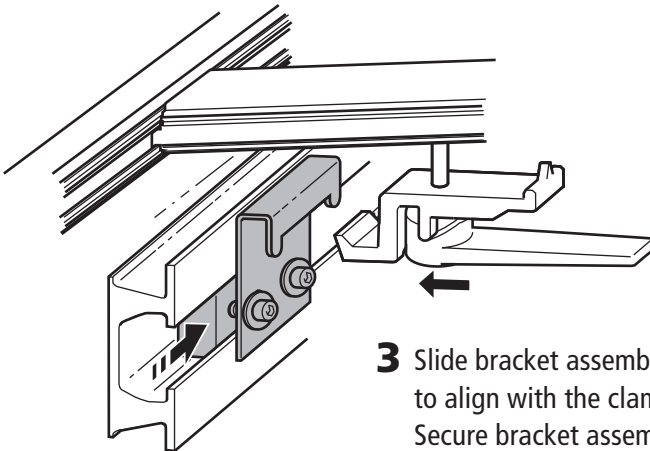
## CHEVROLET SILVERADO/GMC SIERRA - CLAMP KIT: 22440504



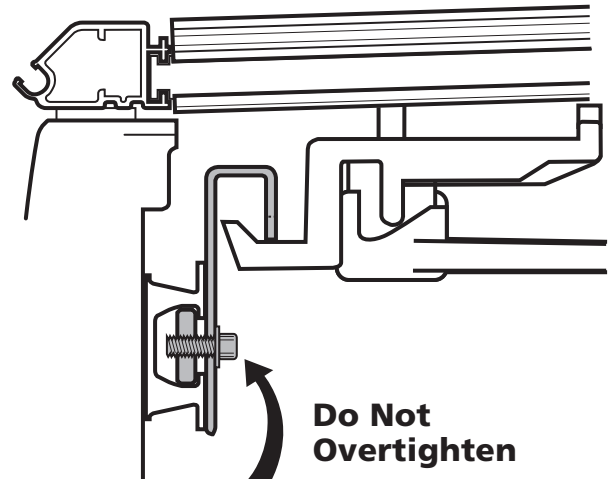
**1** Slide nut into factory track.



**2** Assemble bolts, washers and brackets into slide nut in track.



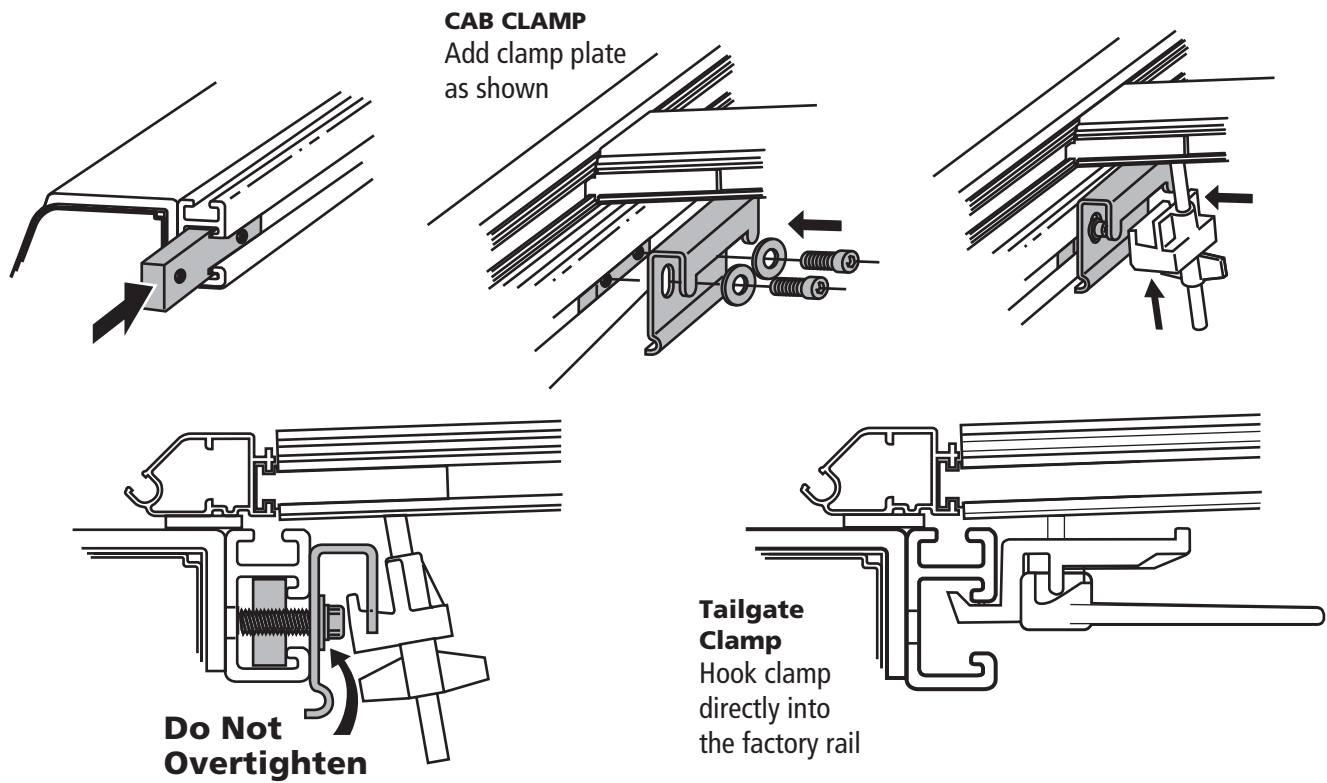
**3** Slide bracket assembly to align with the clamps. Secure bracket assembly to side rail.



**Do Not Overtighten**

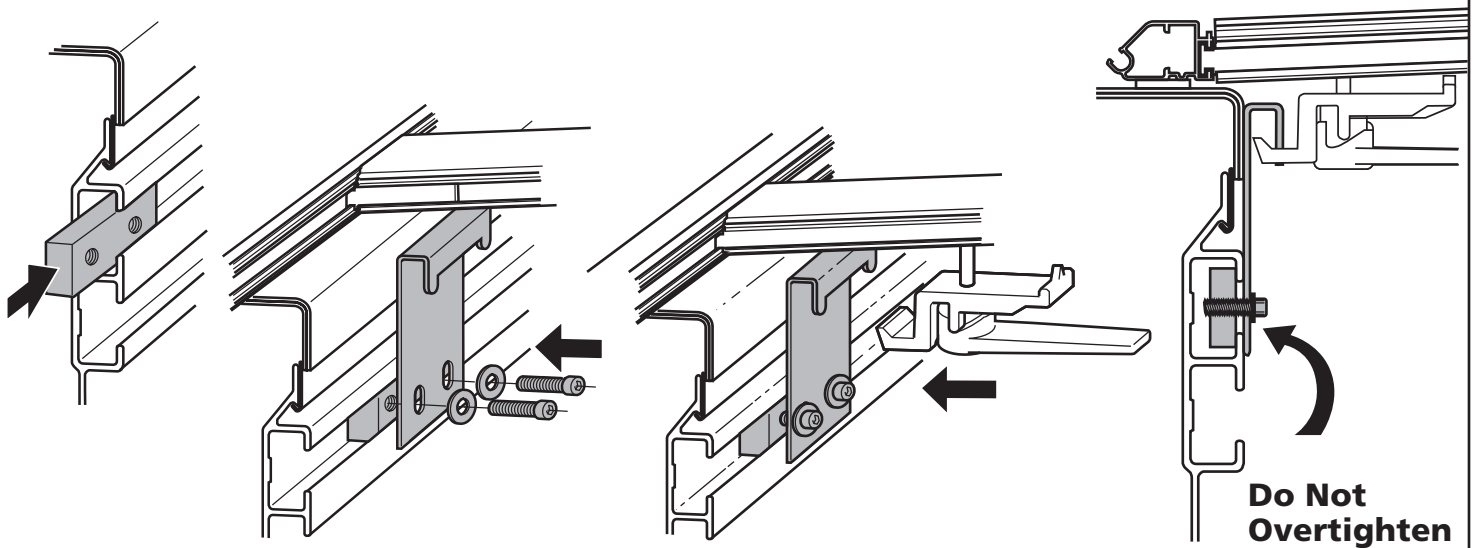
**Front and rear clamps secure to kit bracket in same manner**

## DODGE DAKOTA - CLAMP KIT: 22440702



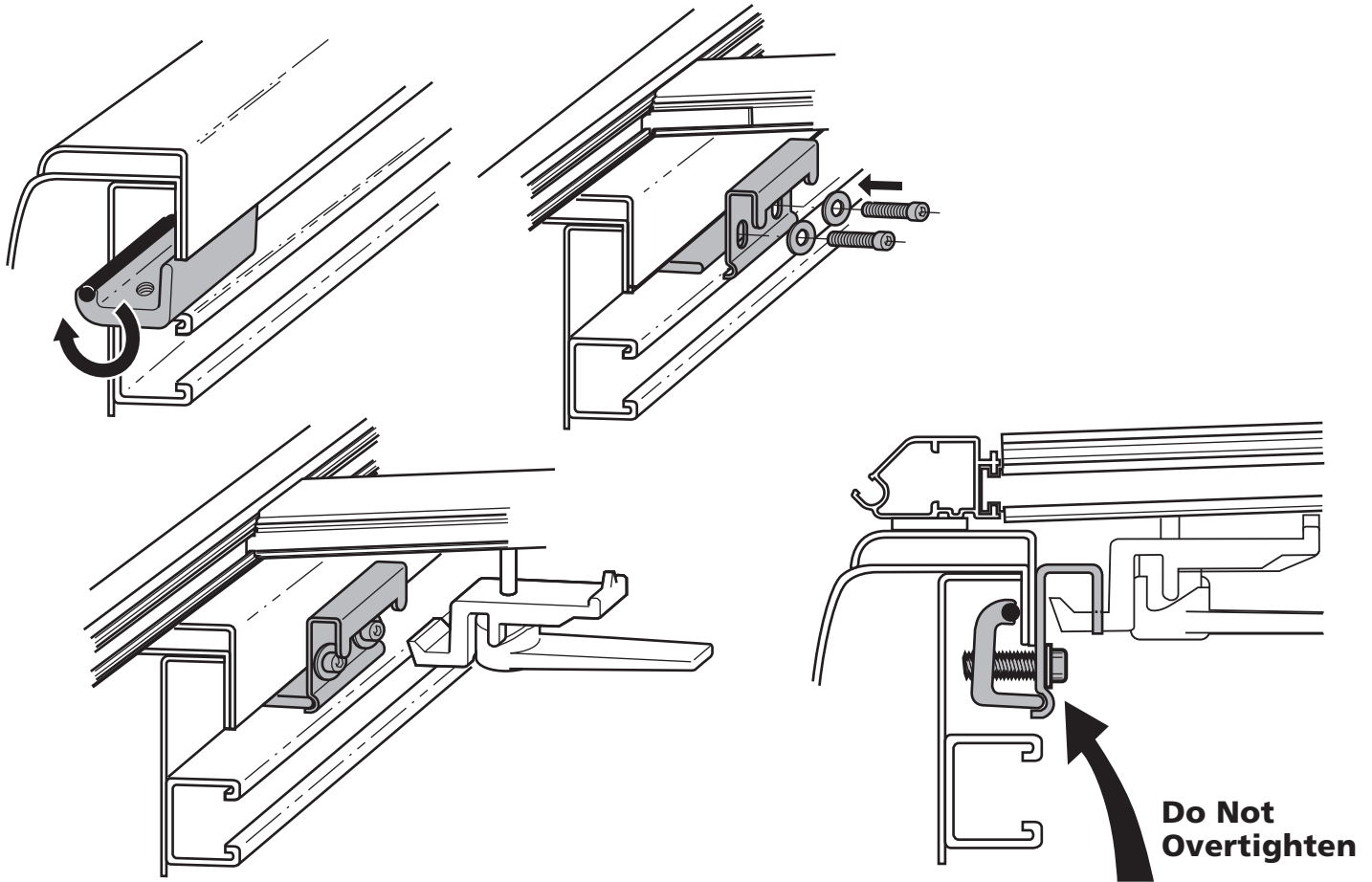
**Dodge Dakota requires special installation of the cab clamps only**

## FORD F-150 WITH RAIL - CLAMP KIT: 22440504



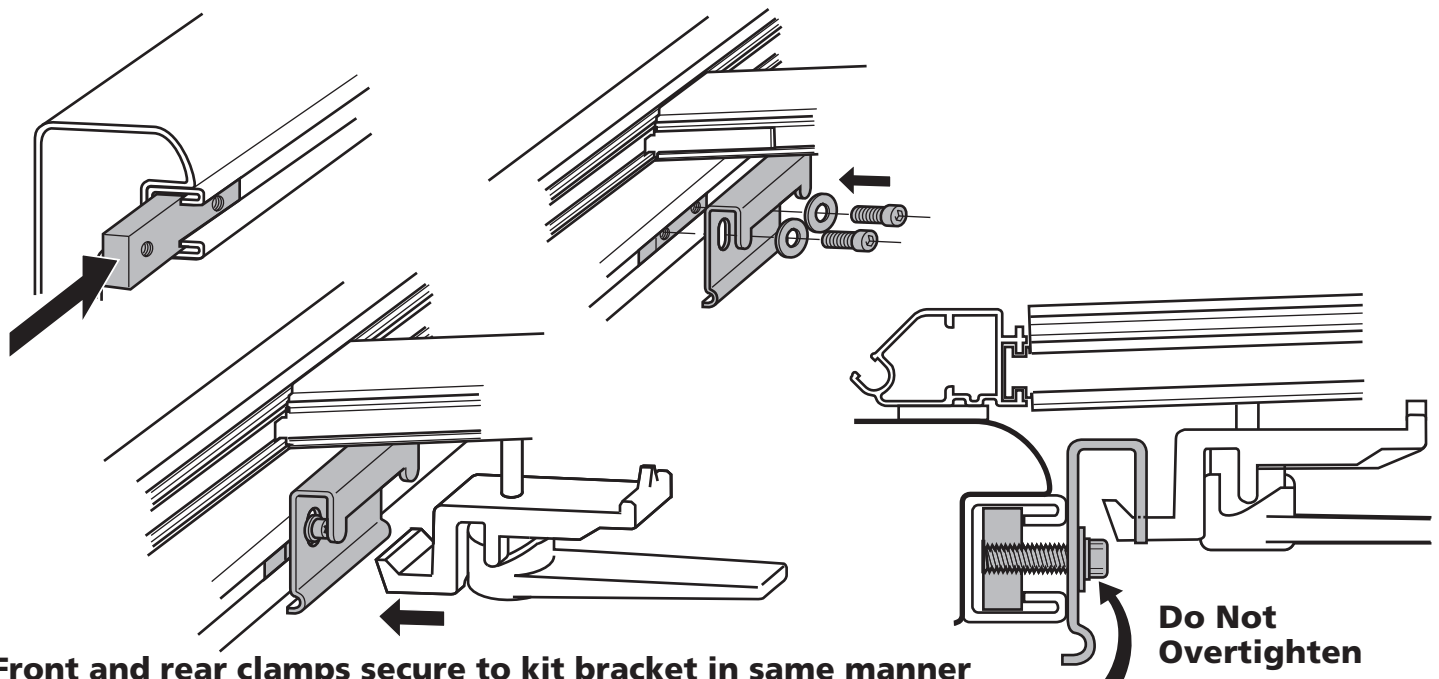
**Front and rear clamps secure to kit bracket in same manner**

**NISSAN FRONTIER (2005- PRESENT) - CLAMP KIT: 22440204**



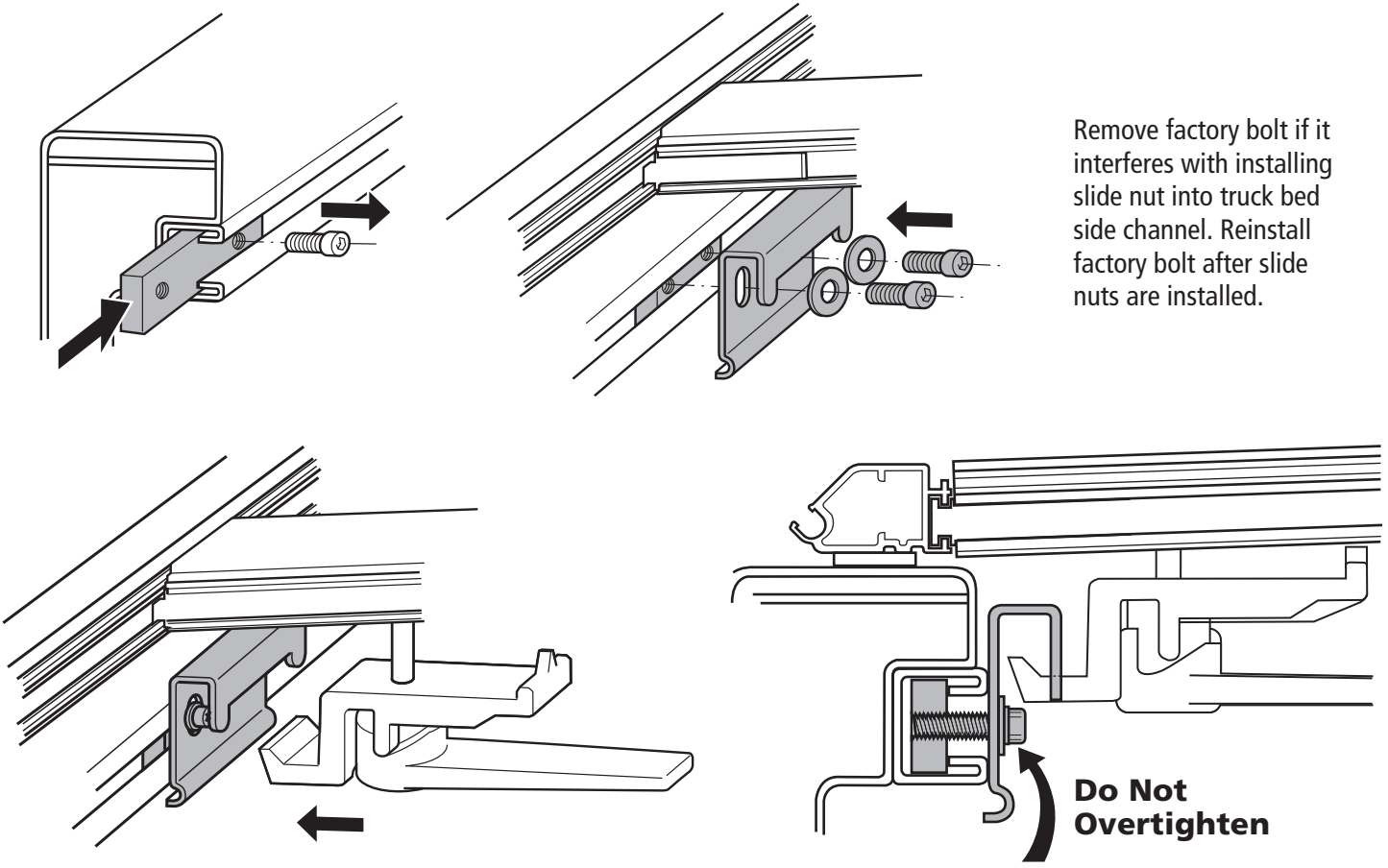
**Front and rear clamps secure to kit bracket in same manner**

**TOYOTA TACOMA (2005- PRESENT) - CLAMP KIT: 22440104**



**Front and rear clamps secure to kit bracket in same manner**

# TOYOTA TUNDRA (2007- PRESENT) - CLAMP KIT: 22440104



**Front and rear clamps secure to kit bracket in same manner**