



INSTALLATION INSTRUCTIONS

MAKE: DODGE

MODEL: CUMMINS

YEAR: 2007.5-2012

ENGINE: L6-6.7L (td)

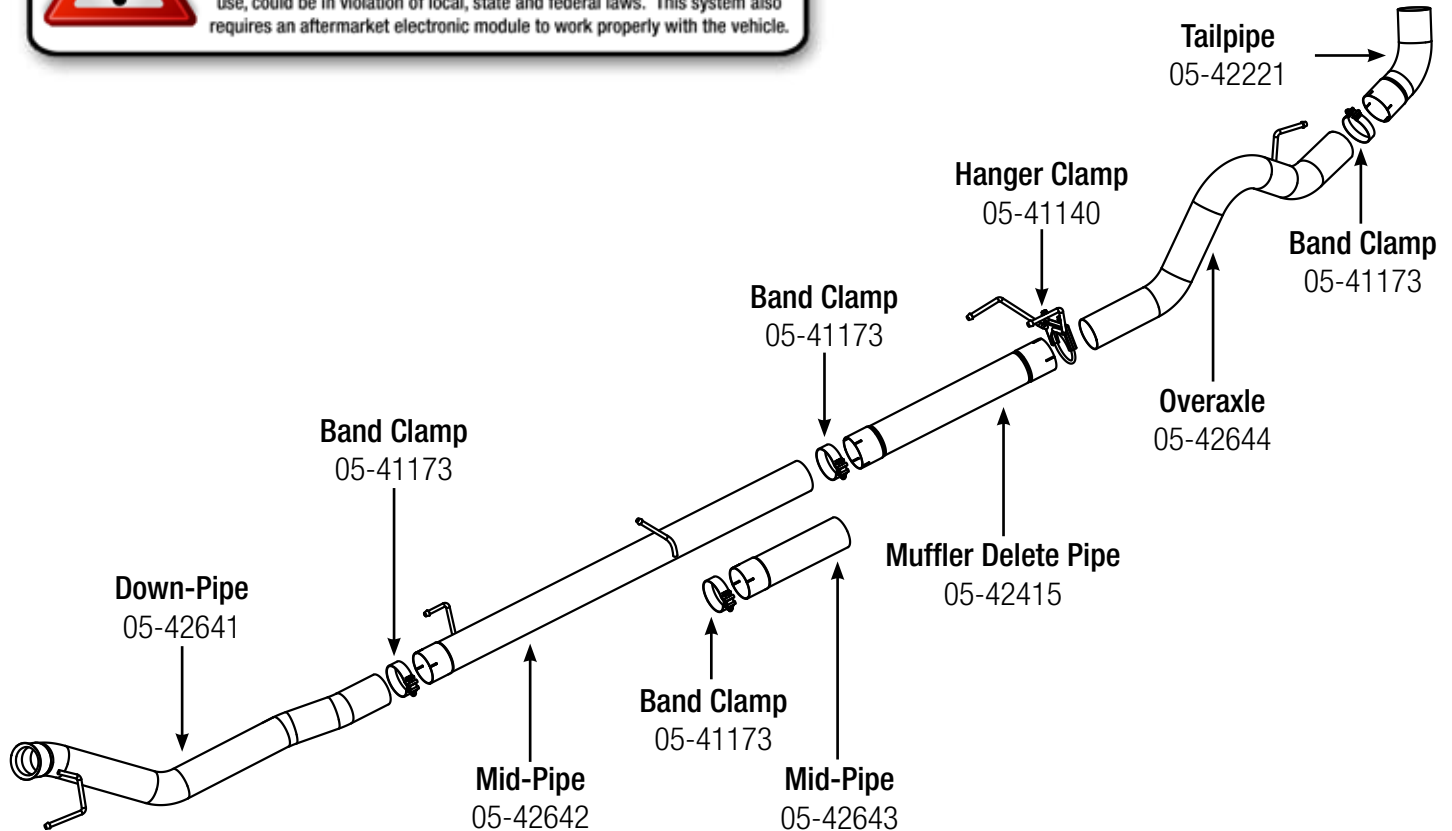
WHEELBASE: Does Not Fit Cab & Chassis

**5" Turbo-Back
49-02030NM (w/o Muffler)**



THIS PART IS FOR RACE USE ONLY

This is a "Race Only" Product Used solely for Competition. Its use is limited to closed-course and open-course racing that is formally sanctioned by a recognized racing organization. Any other use, including recreational off-road use, could be in violation of local, state and federal laws. This system also requires an aftermarket electronic module to work properly with the vehicle.



Step 1: (Read Instructions prior to installation) Remove the stock exhaust from the rear of the truck working your way forward. Take caution not to damage the factory isolation mounts as they will be reused. Disconnect all sensors and urea injector at the connections. Take caution as not to damage any sensors. **It is recommended to not fully tighten the clamps until the entire system has been installed.**

Step 2: For faster installation spread the pieces of the exhaust along side of your vehicle according to the diagram shown.

Step 3: Install down-pipe w/flange first attach hanger and isolation mounts before installing midpipe.

Step 4: Then install the muffler delete pipe using the hanger clamps indicated. **Do not fully tighten.**

Step 5: Utilizing the factory isolation mounts now install overaxle/tail-pipe section with band clamp indicated. Tighten all clamps from front to rear.

Step 6: Adjust for alignment and tighten all connections. Your installation is now complete. It is recommended to re-tighten all exhaust components after the first 50-100 miles.

NOTES:

- aFe recommends that the tailpipe be at least 1/2"-1" away from any body panels to avoid heat related body damage. **Tighten and secure.**
- Controller/Programmers are required to operate this system.

Caution: Allow time for your vehicle to cool down prior to installation. When working on or under your vehicle proceed with caution. Exhaust systems reach high temperatures and may cause serious burns. Wear protective safety equipment; eye goggles and gloves to ensure a safe installation. **aFe recommends professional installation on our products.**