



**TEL: 1-866-XANATOS**

# **INSTALLATION INSTRUCTIONS**

**PART # 8D116703SS -1**

**2014-2015 NISSAN ROGUE STAINLESS STEEL**

**REAR BUMPER GUARD (SINGLE TUBE)**

# INSTALLATION INSTRUCTION

ITEM No.: 8D116703SS -1

DESCRIPTION: 14-15 Nissan Rogue SS Rear Bumper Guard (Single Tube)

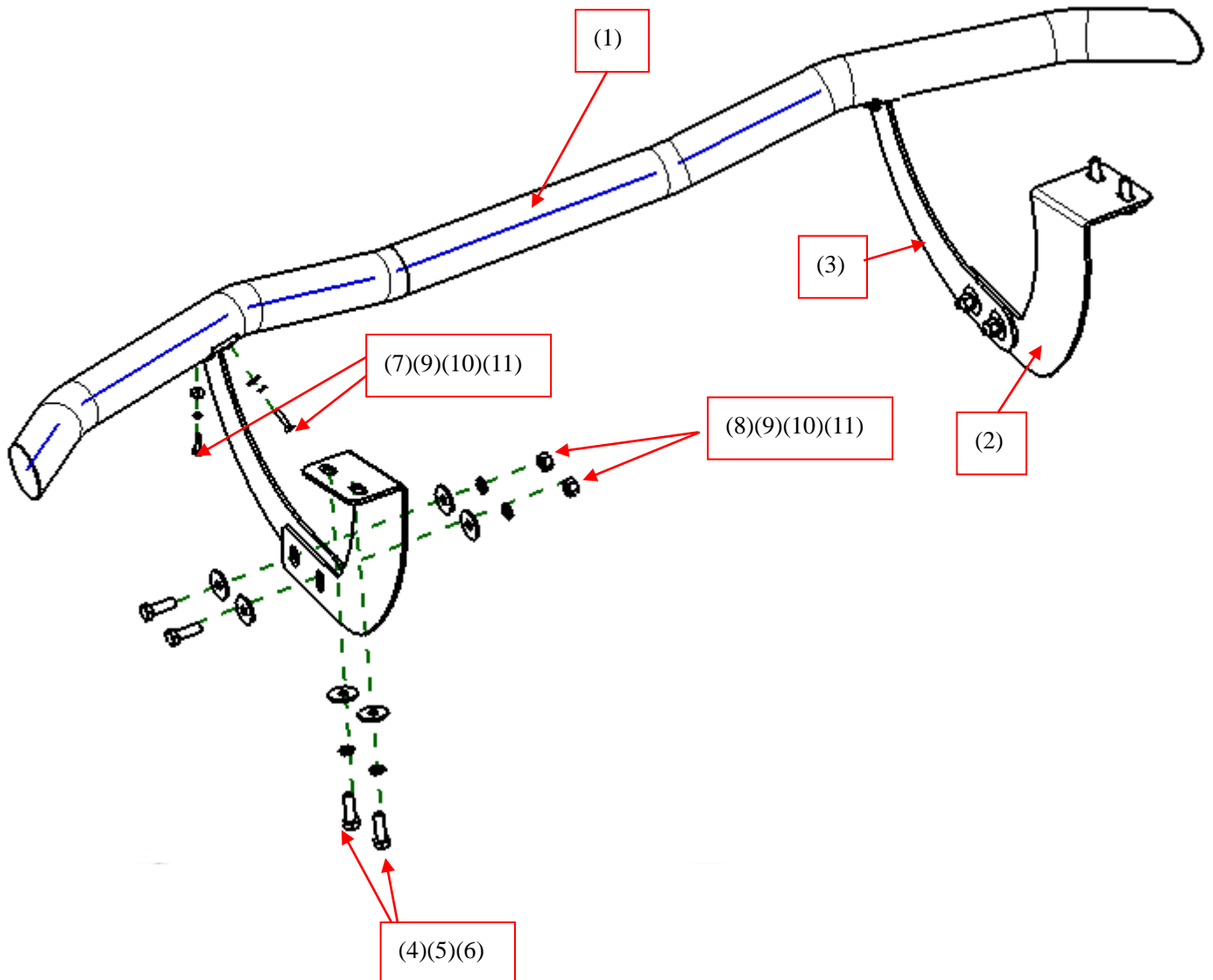
Attention:

- Please read this installation menu before installing this part. Protect your car properly in case there is any scratch might happen.
- You may need to periodically to re-tighten all hardware for safety use after installation.
- Installation pictures are only for your reference, there might be some differences between pictures and real parts but no affection for your fitting.

**PART LIST**

No.	NAME	QTY	REMARK	No.	NAME	QTY	REMARK
(1)	Rear Guard	1		(7)	Hexagon Head Bolt (fin thread)	4	M12*35
(2)	Mounting Bracket 1	2		(8)	Hexagon Head Bolt	4	M12*35
(3)	Mounting Bracket 2	2		(9)	Extra Large Washer	12	φ12*35*3.0
(4)	Hexagon Head Bolt	4	M8*25	(10)	Spring Washer	8	φ12
(5)	Spring Washer	4	φ8	(11)	Hexagon Nut	4	M12
(6)	Flat Washer	4	φ8*20*2.0				

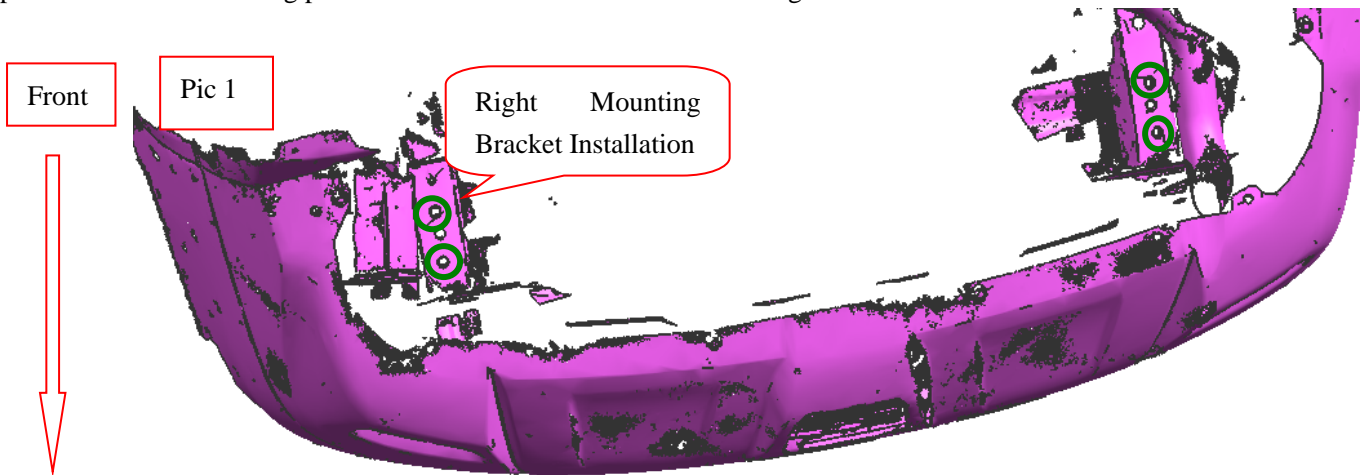
## INSTALLATION PICTURES



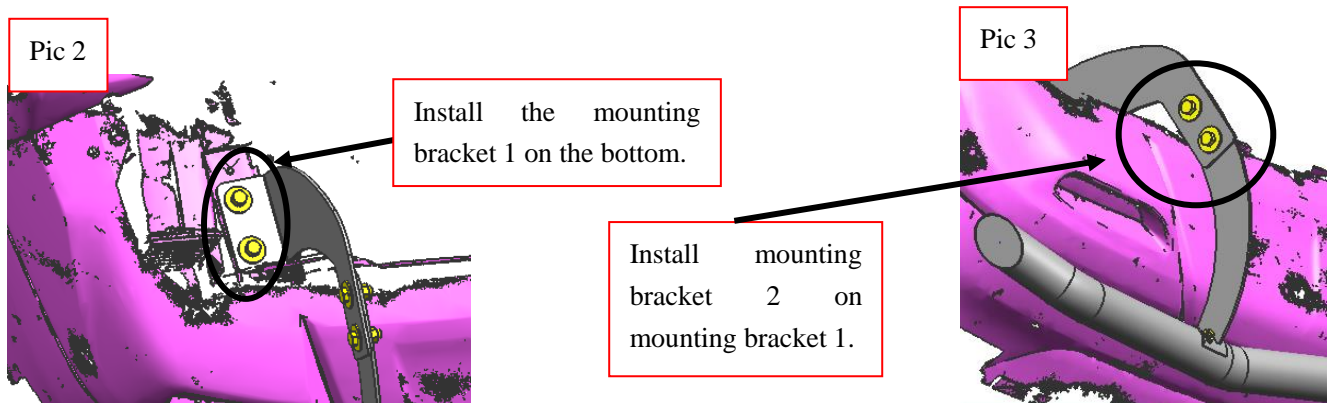
# INSTALLATION PROCEDURES

Step 1: Refer to Part List to check if all hard ware are included.

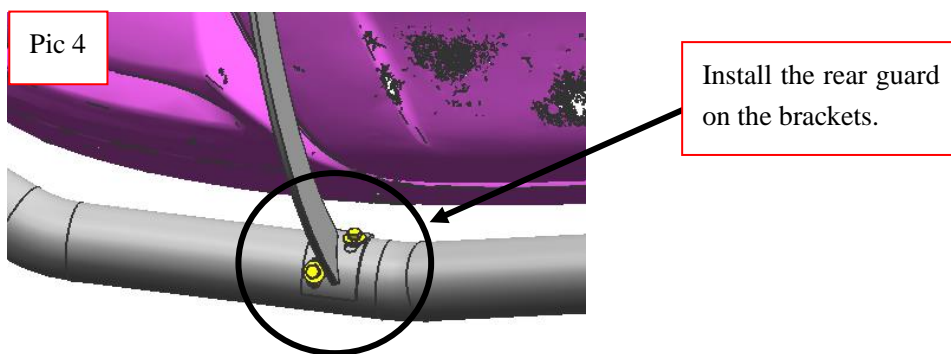
Step 2: Refer to the following picture to install the front and rear mounting brackets.



Step 3: Refer to the following picture to install the mounting brackets on the bottom but do not fasten.



Step 4: Install the rear guard on the brackets.



Step 5: According to the position of the rear guard to adjust the brackets.

Step 6: Check if all hardware are installed and complete the installation.



Disclaimer: Caused due to improper installation initiates or some related problem and losses, are beyond our company's quality assurance.