



TEL ☐ 1-866-XANATOS

INSTALLATION INSTRUCTIONS

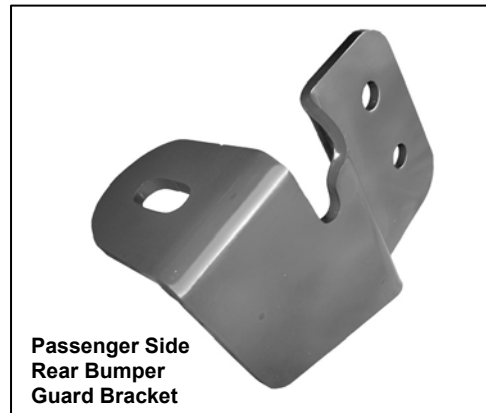
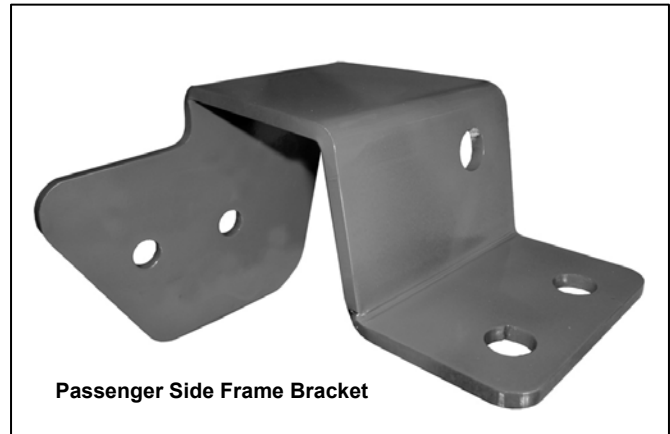
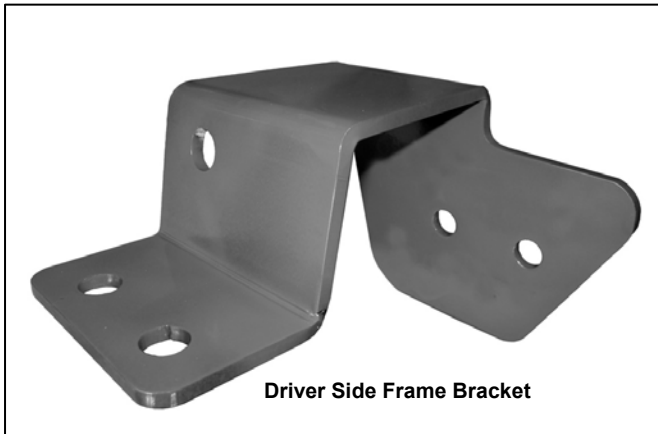
PART#: 8D009701SS\8D009701A

REAR BUMPER GUARD FOR GMC ACADIA\ SATURN OUTLOOK 08-09



PARTS LIST:

1	Rear Bumper Guard	12	12-1.75mm x 35mm Hex Head Bolts
1	Driver/Left Frame Bracket	12	12mm Lock Washers
1	Passenger/Right Frame Bracket	10	12mm ID x37mm OD x 3mm Flat Washers(Large)
1	Driver/Left Bumper Guard Bracket	6	12mm ID x 24mm OD x 2.5mm Flat Washers(Small)
1	Passenger/Right Bumper Guard Bracket	4	12mm Hex Nuts



PROCEDURE:

1. REMOVE CONTENTS FROM BOX. VERIFY ALL PARTS ARE PRESENT. READ INSTRUCTIONS CAREFULLY BEFORE STARTING INSTALLATION.
2. On the rear end of the passenger side frame rail, locate the three factory threaded holes. There are two threaded holes on the bottom of the frame rail and one on the inner side of frame rail; these are located right above the muffler.
3. Partially hang the driver side Frame Bracket to these threaded holes using the included (3) 12mm x 35mm Hex Head Bolts, (3) 12mm Lock Washers, and (3) 12mm Flat Washers. Repeat this step for passenger side Frame Bracket (**Figure 1**).
4. Attach Rear Bumper Guard Brackets on the outer side of the already installed Frame Brackets using the included (4) 12mm x 35mm Hex Head Bolts, (4) 12mm Hex Nuts, and (8) 12mm Flat Washers (4) 12mm Lock Washers ;(**Figure 2 & 3**). **NOTE:** The offset Rear Bumper Guard Bracket mounts on the passenger side.
5. Position the Rear Bumper Guard up the Rear Bumper Guard Brackets. Attach Rear Bumper Guard to Brackets using the included (2) 12mm x 35mm Hex Head Bolts, (2) 12mm Lock Washers, and (2) 12mm Flat Washers (**Figure 4**).
6. Level and adjust Rear Bumper Guard Properly; and then tighten all hardware at this time.
7. Do periodic inspections to the installation to make sure that all hardware is secure and tight.

Driver Side Frame Bracket Shown

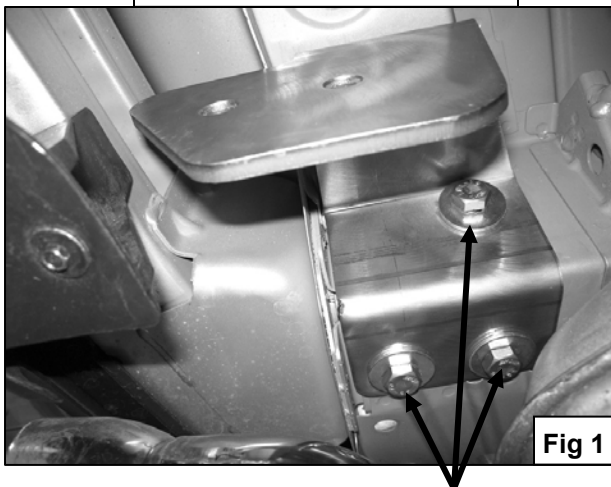


Fig 1

12mm x 35mm Hex Bolts
12mm Lock Washers
12mm Flat Washers

Driver Side Rear Bumper Guard Bracket Shown

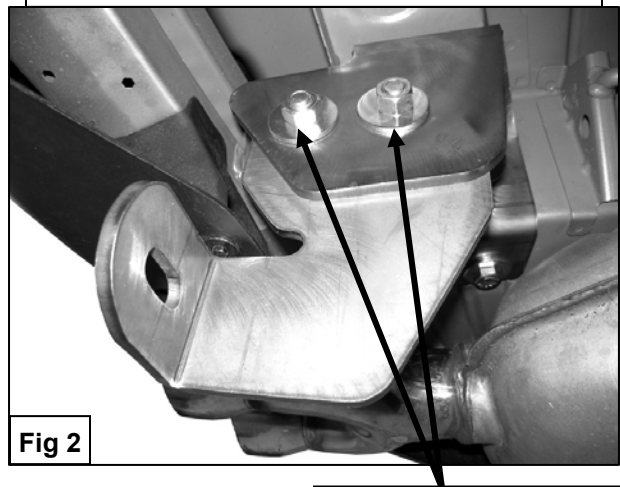


Fig 2

12mm x 35mm Hex Bolts
12mm Hex Nuts
12mm Lock Washers
12mm Flat Washers

Passenger Side Rear Bumper Guard Bracket Shown

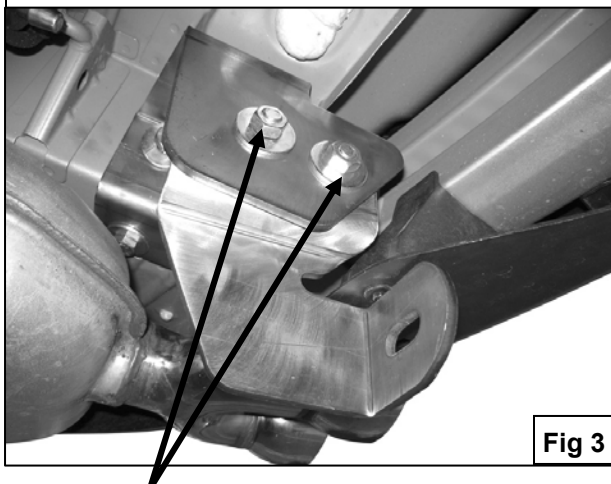


Fig 3

12mm x 35mm Hex Bolts
12mm Hex Nuts
12mm Flat Washers
12mm Lock Washers

Driver Side Shown

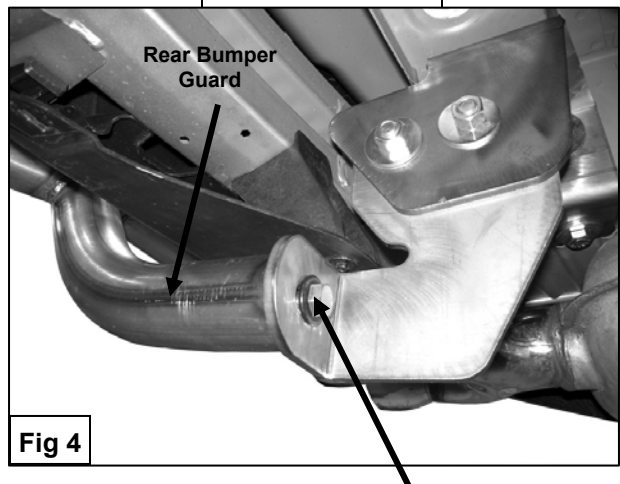


Fig 4

12mm x 35mm Hex Bolts
12mm Lock Washers
12mm Flat Washers