



**TEL: 1-866-XANATOS**

# **INSTALLATION INSTRUCTIONS**

**PART # 8B0520SS-1**

**2012-2015 HONDA CRV STAINLESS STEEL**

**REAR BUMPER GUARD SINGLE TUBE WITH PAD**

# INSTALLATION INSTRUCTION

ITEM NO.: 8B0520SS-1

DESCRIPTION: 12-15 Honda CRV Stainless Steel Rear Bumper Guard Single Tube WITH PAD

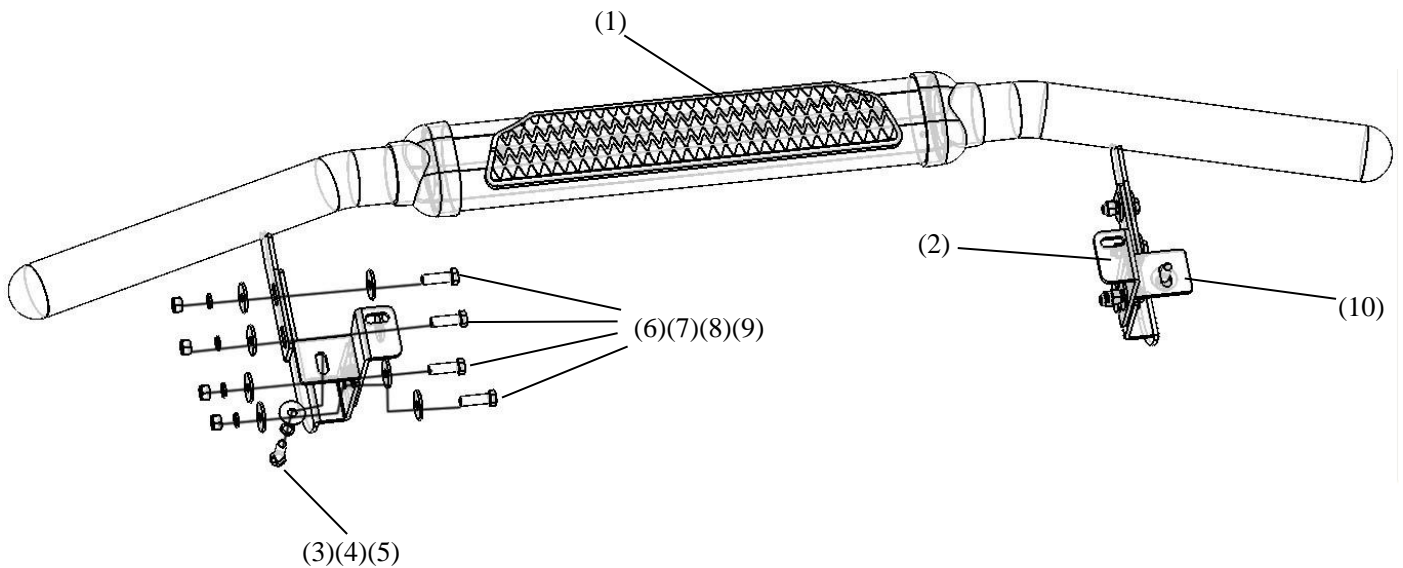
Attention:

- Please read this installation menu before installing this part. Protect your car properly in case there is any scratch might happen.
- You may need to periodically to re-tighten all hardware for safety use after installation.
- Installation pictures are only for your reference, there might be some differences between pictures and real parts but no affection for your fitting.

## PART LIST

NO.	NAME	QTY	REMARK	NO.	NAME	QTY	REMARK
(1)	Rear Bumper	1		(6)	Hexagon Head Screw	8	M10*35
(2)	Bracket	2		(7)	Large Washer	16	$\phi 10*30*2.0$
(3)	Hexagon Head Screw (fin thread)	2	M10*30	(8)	Spring Washer	8	$\phi 10$
(4)	Spring Washer	2	$\phi 10$	(9)	Hexagon Nut	8	M10
(5)	Extra Large Washer	2	$\phi 10*30*1.5$	(10)	Fitting Kit	2	

## INSTALLATION PICTURES



Disclaimer: Caused due to improper installation initiates some related problem and losses, are beyond our company's quality assurance.