



**TEL: 1-866-XANATOS**

# **INSTALLATION INSTRUCTIONS**

**PART # 15NIROSS-14**

**2014-2015 NISSAN ROGUE**

**STAINLESS STEEL FRONT RUNNER**

# INSTALLATION INSTRUCTION

ITEM NO.: 15NIROSS-14

DESCRIPTION: FRONT RUNNER FOR ROGUE 2014-2015

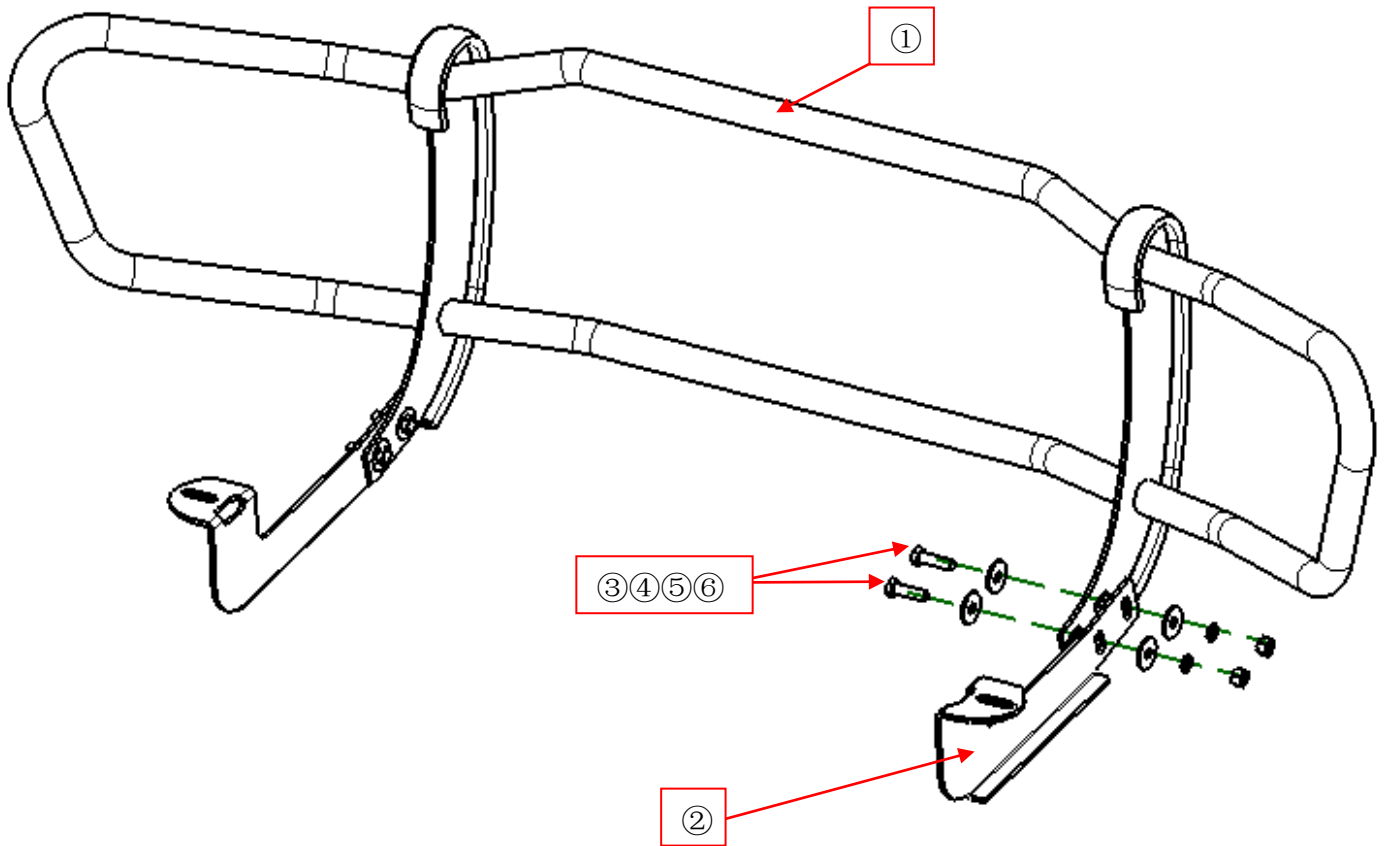
Attention:

- Please read this installation menu before installing this part. Protect your car properly in case there is any scratch might happen.
- You may need to periodically to re-tighten all hardware for safety use after installation.
- Installation pictures are only for your reference, there might be some differences between pictures and real parts but no affection for your fitting.

## PART LIST

NO.	NAME	QTY	REMARK	NO.	NAME	QTY	REMARK
①	Front Guard	1		④	Large Washer	8	φ12*30*3.0
②	Bracket	2		⑤	Spring Washer	4	φ12
③	Hexagon Head Bolt	4	M12	⑥	Hexagon Nut	4	M12

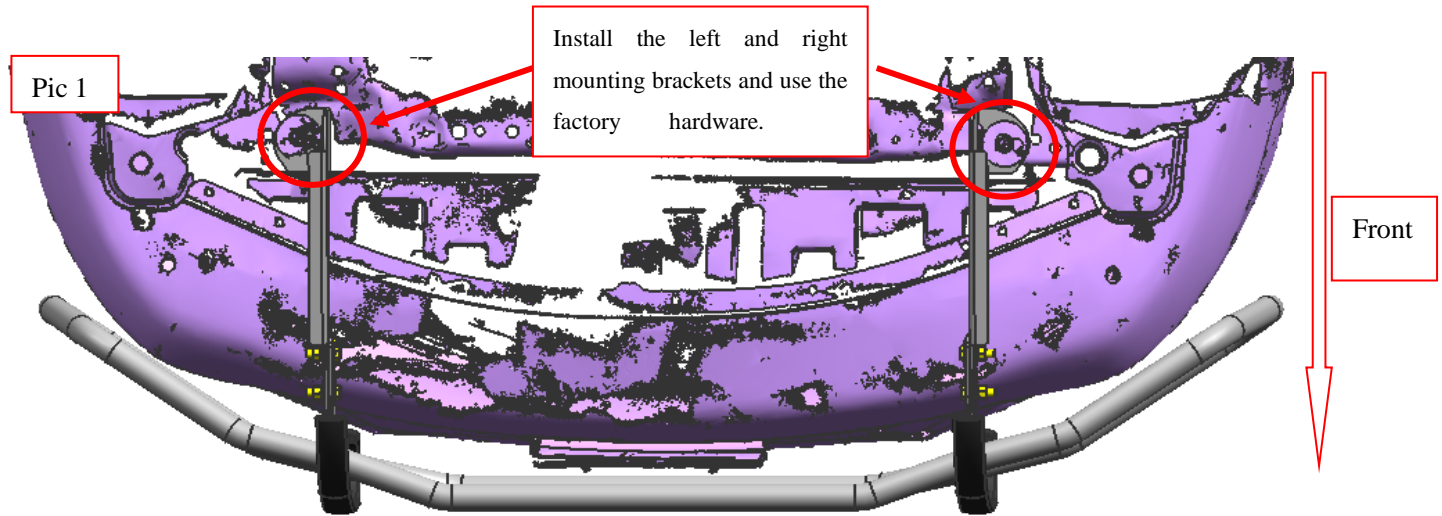
## INSTALLATION PICTURES



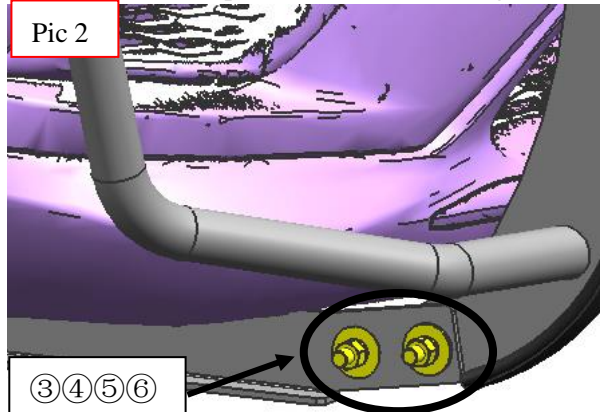
## INSTALLATION PROCEDURES

Step 1: Refer to the Part list to check if all the hardware are included.

Step 2: Refer to the car bottom, and then install the left and right mounting brackets.

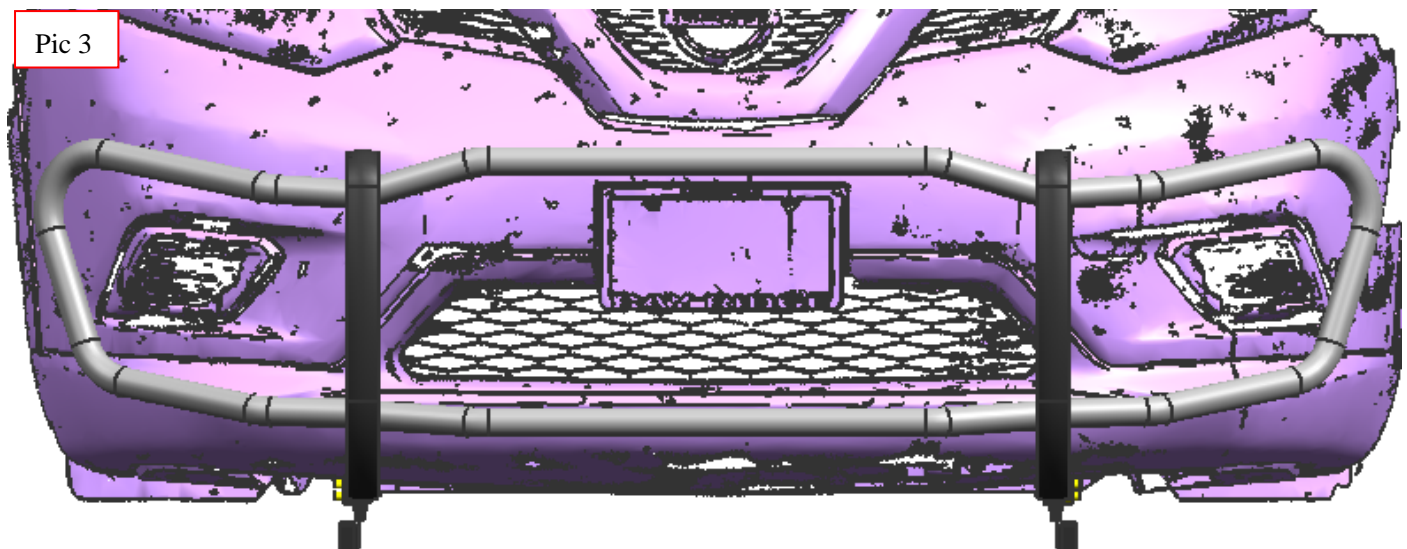


Step3: Refer to the pic 2 to install the front guard on the brackets, and then adjust the brackets.



Step4: Check if all hard ware are installed and tighten up.

Step 5: Complete the installation.



**Disclaimer:** Caused due to improper installation initiates or some related problem and losses, are beyond our company's quality assurance.