



TEL: 1-866-XANATOS

INSTALLATION INSTRUCTIONS

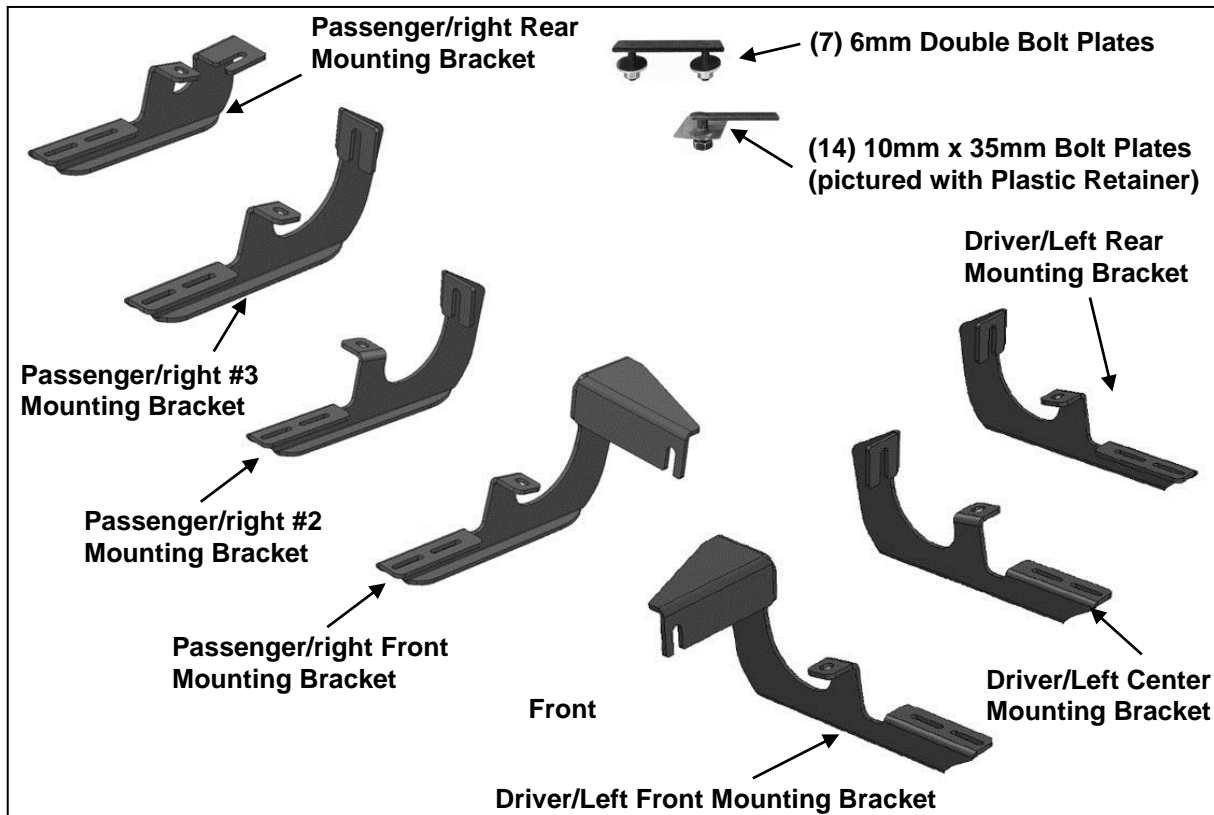
PART#: SR-NIR405396

SPARTAN RUNNING BOARD

NISSAN NV 1500/2500/3500 12-UP

PARTS LIST:

1	Driver/left Spartan Running Board	14	10-1.5mm x 35mm Bolt Plates
1	Passenger/right Spartan Running Board	15	10mm x 27mm OD x 3mm Flat Washers
1	Driver/left Front Mounting Bracket	14	10mm Nylon Lock Nuts
1	Driver/left Center Mounting Bracket	7	10mm Plastic Retainers
1	Driver/left Rear Mounting Bracket	14	6mm x 22mm OD x 2mm Flat Washers
1	Passenger/right Front Mounting Bracket	14	6mm Lock Washers
1	Passenger/right #2 Mounting Bracket	14	6mm Hex Nuts
1	Passenger/right #3 Mounting Bracket	7	6mm Double Bolt Plates
1	Passenger/right Rear Mounting Bracket		



PROCEDURE:

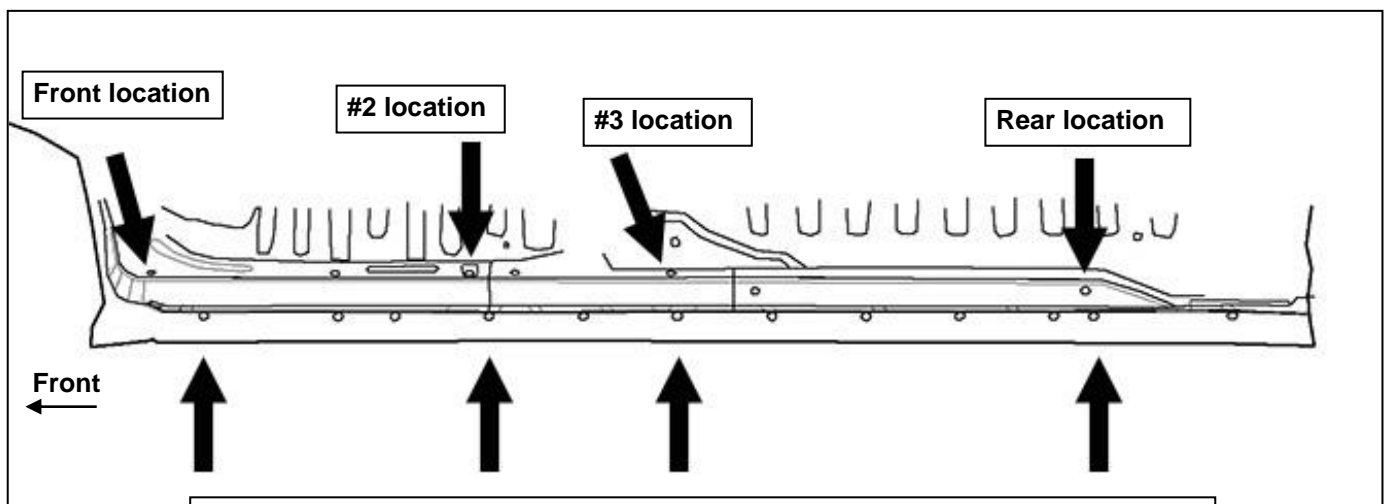
REMOVE CONTENTS FROM BOX. VERIFY ALL PARTS ARE PRESENT. READ INSTRUCTIONS CAREFULLY BEFORE STARTING INSTALLATION. ASSISTANCE IS RECOMMENDED.

1. Start the installation under the passenger side of the vehicle. Locate the factory hole closest to the front wheel opening along the bottom of the body, **(Figures 1 & 3)**. **NOTE:** Holes will be covered with plugs or tape, remove as necessary. Select (1) 10mm Bolt Plate, **(Figure 2)**. Insert the Bolt Plate into the hole.
2. Next, locate the first factory hole along the inner body panel, **(Figures 1 & 3)**. Remove excess undercoating from all mounting locations so that Brackets will install flat against body panel. Select (1) 10mm Bolt Plate and (1) 10mm Plastic Retainer, **(Figure 2)**. Thread the Retainer part way onto the Bolt Plate. Insert the Bolt Plate into the hole and tighten the Retainer against the side of the body panel, **(Figure 3)**. **IMPORTANT:** The Plastic Retainer is designed to prevent the Bolt Plate from falling into the body panel and to aid in Bracket installation. Retainers are not required for the Bolt Plates installed along the bottom of the outer body panel (outside of pinch weld).

3. Select the passenger side front Mounting Bracket, **(Figure 4)**. Line up the Bracket with the (2) Bolt Plates. Attach the Bracket to the Bolt Plates with (2) 10mm Flat Washers and (2) 10mm Nylon Lock Nuts, **(Figure 5)**. Do not tighten hardware at this time.
4. Move to the next mounting location below the center of the passenger side front door, **(Figures 1 & 6)**. Locate the hole in the bottom of the body panel and the hole in the inner side of the body panel. Repeat **Steps 1—3** to install the passenger side #2 Bracket, **(Figures 6—8)**.
5. Continue along the body to the #3 mounting location beneath the front of the sliding door, **(Figures 1 & 9)**. Repeat **Steps 1—3** to install the passenger side #3 Mounting Bracket, **(Figures 9—11)**.
6. Next, locate the last (2) mounting holes along the bottom of the body and bottom of the inner body panel, **(Figures 1 & 12)**. Repeat **Steps 1—3** to install the passenger side rear mounting bracket, **(Figures 12—14)**. **NOTE:** The rear Bracket will attach to the bottom not the side of the inner body panel.
7. Select the long passenger side Running Board. Place the Running Board on top of the (4) Brackets. Select (4) 6mm Double Bolt Plates, **(Figure 15)**. Locate the channels in the bottom of the Running Board, **(Figure 16)**. Insert the Bolt Plates into the channels in the bottom of the Running Board closest to the Brackets. Lift the Running Board up and guide the studs down through the Brackets.
8. Attach the Running Board to the Brackets with (8) 6mm Flat Washers, (8) 6mm Lock Washers and (8) 6mm Hex Nuts, **(Figure 17)**. **NOTE:** The Running Board is designed to fit close to the vehicle. It may be necessary to loosen the Bracket hardware and tilt the Brackets downward to insert the Running Board between the Brackets and the body. Do not tighten hardware at this time.
9. Level and adjust the Running Board and fully tighten all hardware. Line up the front end of the Board with the front of the front door.
10. Move to the driver side of the vehicle. Repeat **Steps 1—3**, **(Figures 1 & 2)**, to install the driver side front Bracket, **(Figures 19—22)**.
11. Move to the center location. Repeat **Steps 1—4** to install the center Bracket, **(Figures 19, 23 & 25)**.
12. Continue to the driver side rear location at the back of the front door. Repeat **Steps 1—6** to install the driver side rear Bracket, **(Figures 19, 24 & 25)**.
13. Select the driver side Running Board. Place the Running Board on top of the (3) Brackets. Select (3) 6mm Double Bolt Plates. Repeat **Steps 7 & 8** to attach Running Board to the (3) Brackets, **(Figure 25)**.
14. Level and adjust the Running Board to match passenger side and fully tighten all hardware.
15. Do periodic inspections to the installation to make sure that all hardware is secure and tight.

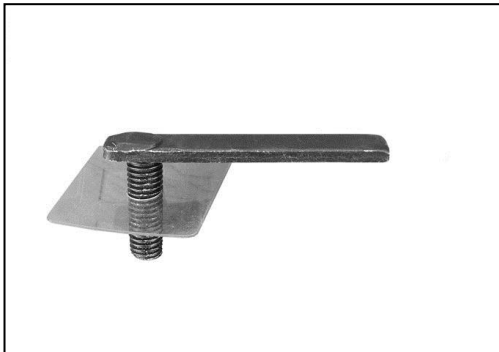
To protect your investment, wax this product after installing. Regular waxing is recommended to add a protective layer over the finish. Do not use any type of polish or wax that may contain abrasives that could damage the finish. Mild soap may be used also to clean the Running Board.

Passenger/right Side Installation Pictured

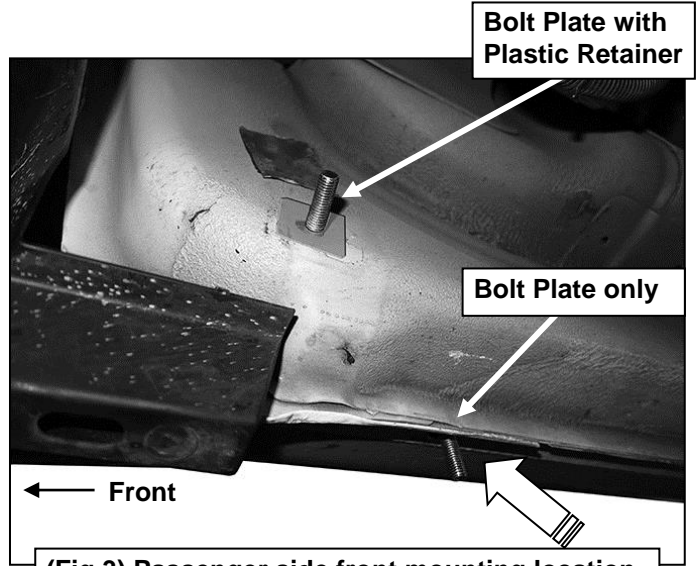


(Fig 1) Passenger side mounting location illustrated from behind/below vehicle

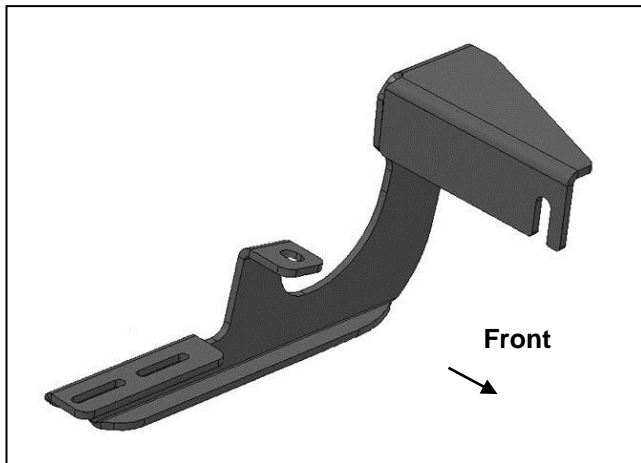
Passenger/right Side Installation Pictured



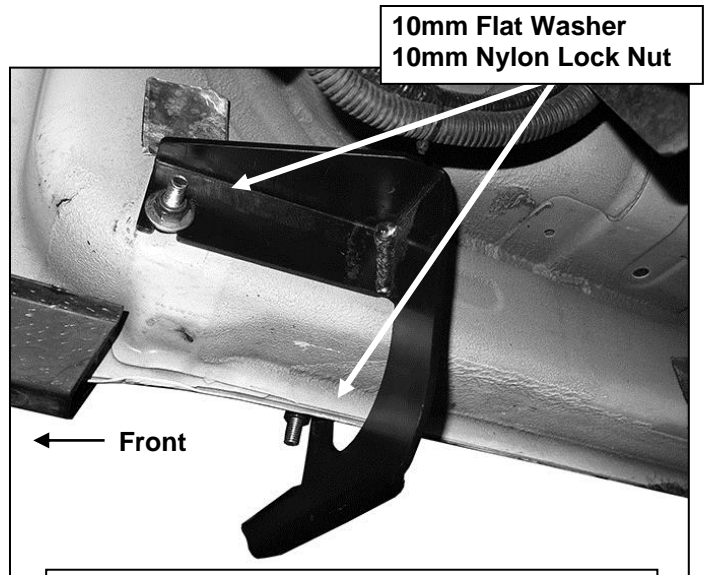
(Fig 2) Bolt Plate w-Plastic Retainer



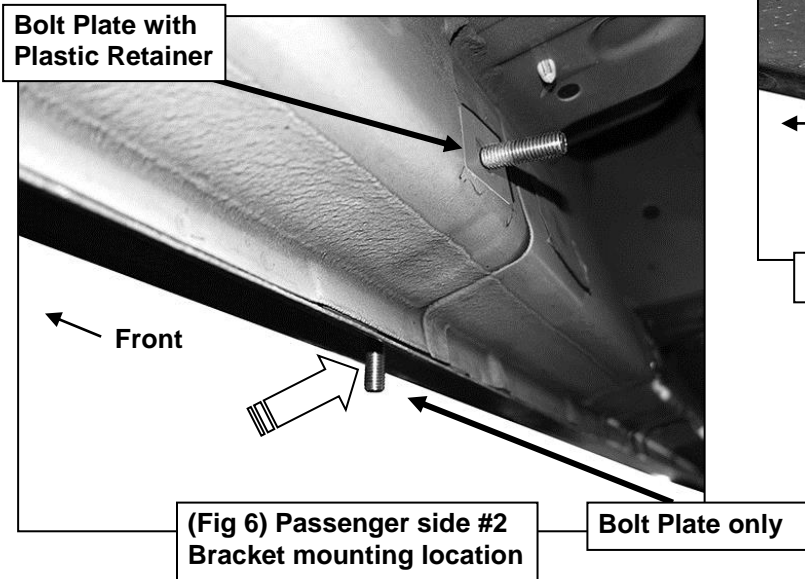
(Fig 3) Passenger side front mounting location



(Fig 4) Passenger side front Mounting Bracket

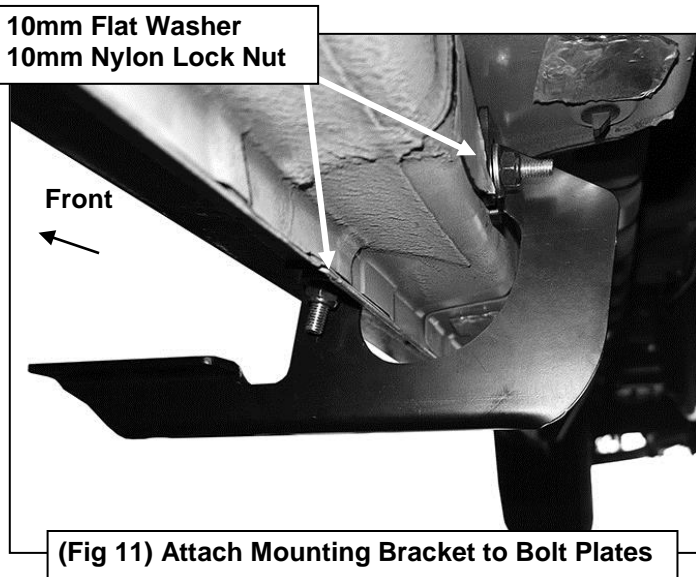
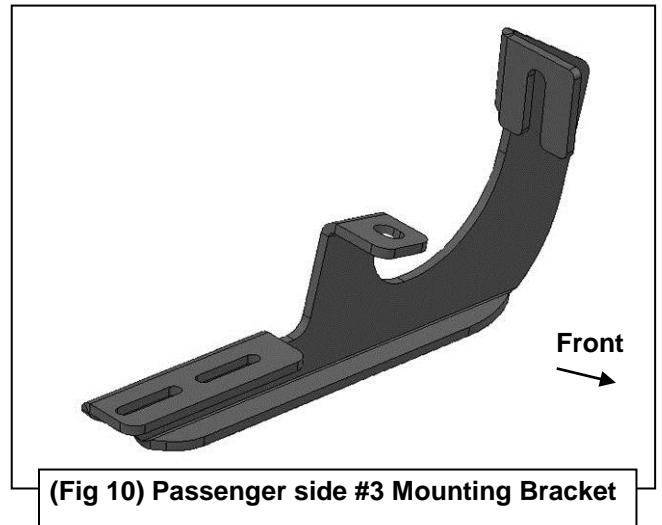
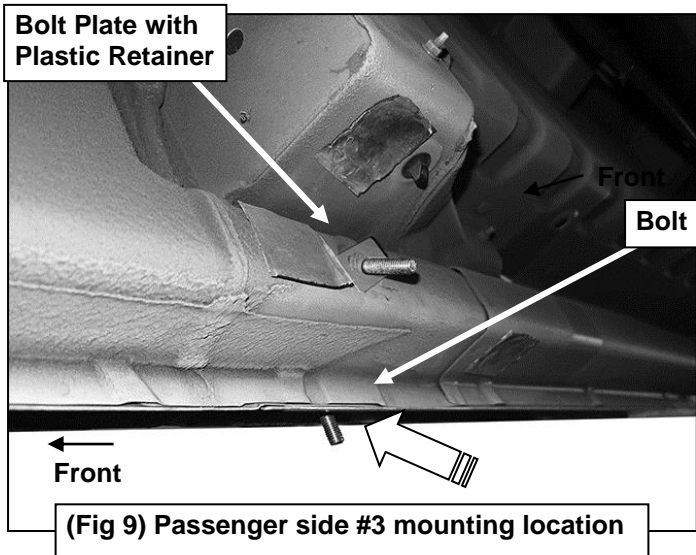
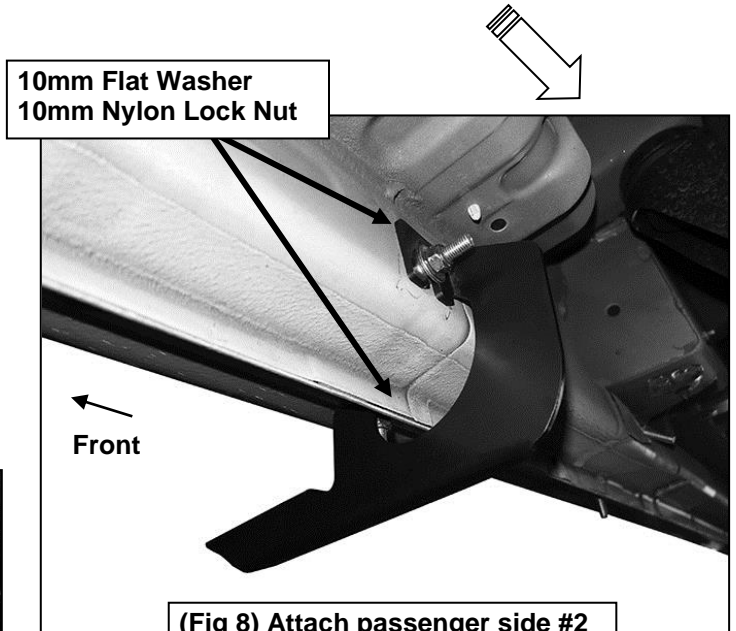
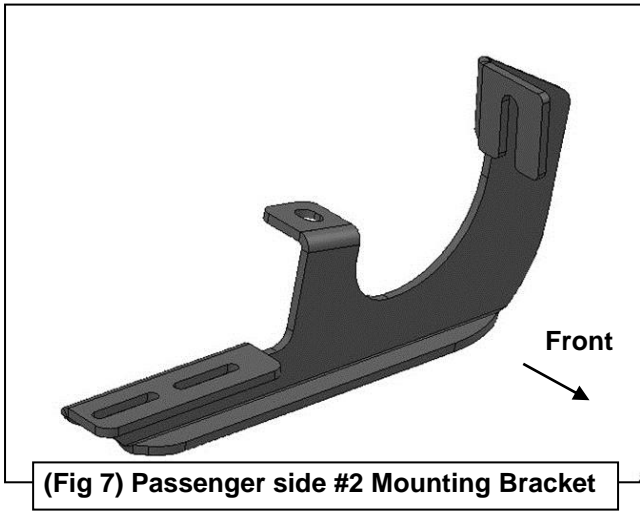


(Fig 5) Attach Mounting Bracket to Bolt Plates

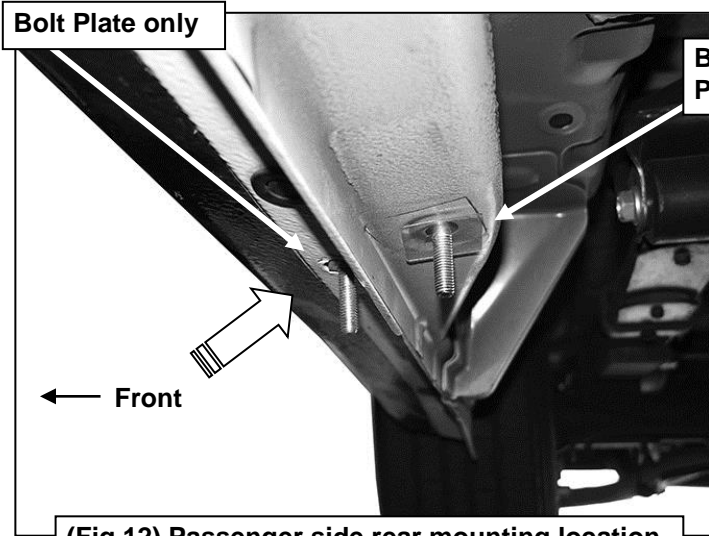


(Fig 6) Passenger side #2 Bracket mounting location

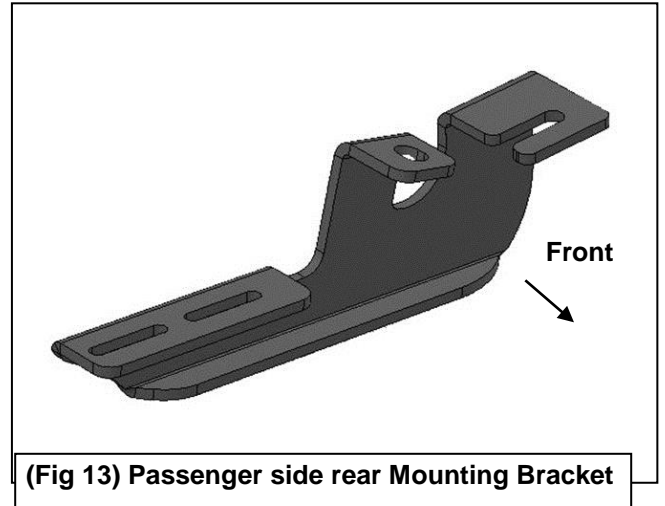
Passenger/right Side Installation Pictured



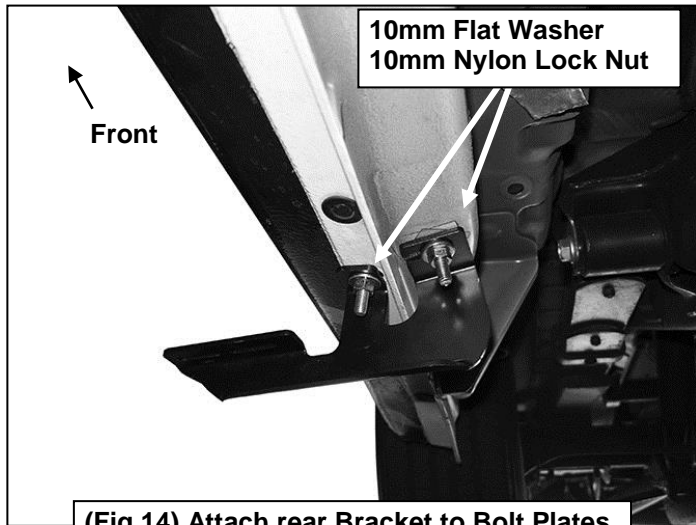
Passenger/right Side Installation Pictured



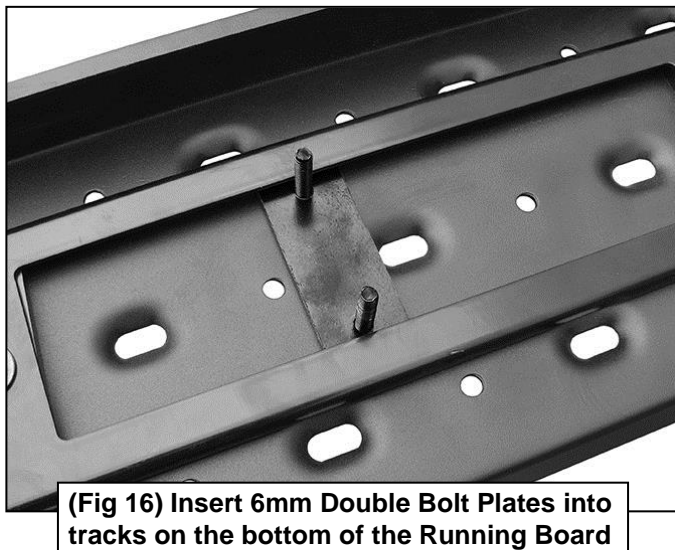
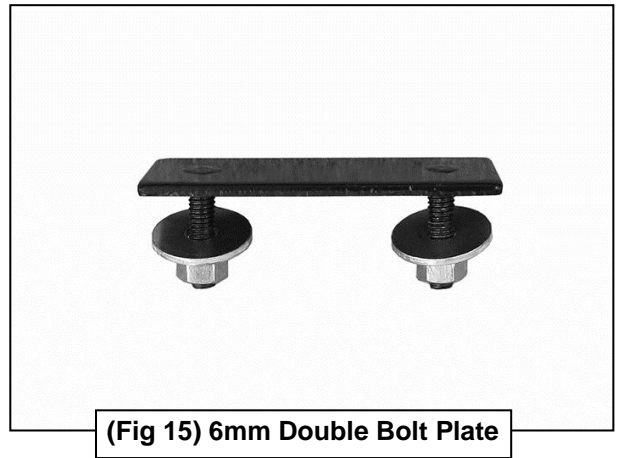
(Fig 12) Passenger side rear mounting location



(Fig 13) Passenger side rear Mounting Bracket



(Fig 14) Attach rear Bracket to Bolt Plates



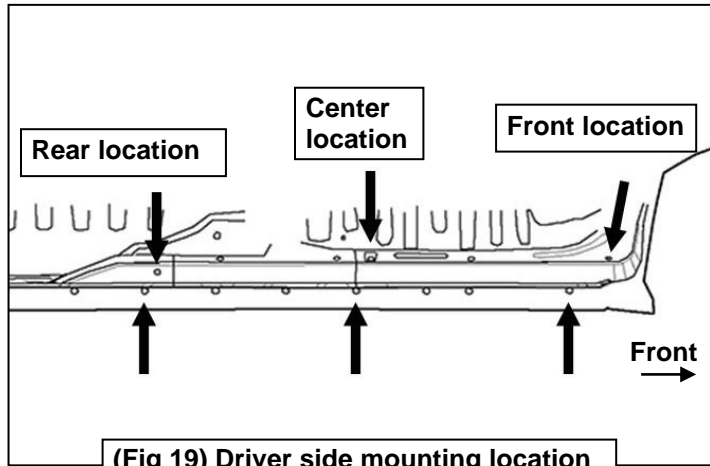
- (2) 6mm Flat Washers
- (2) 6mm Lock Washers
- (2) 6mm Hex Nuts



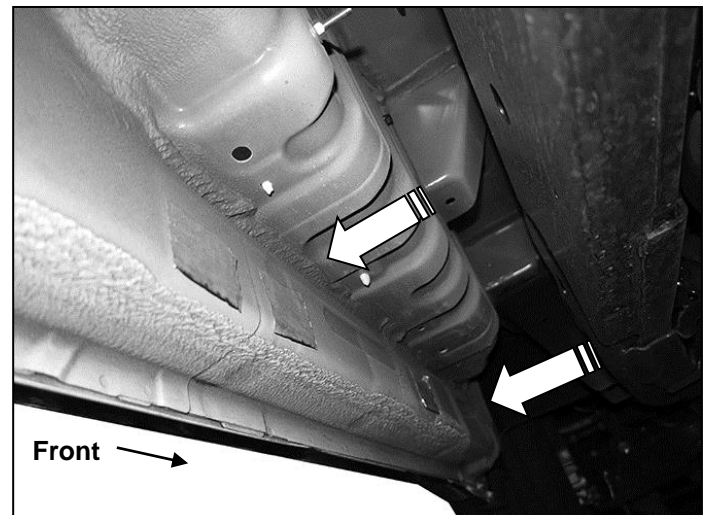
(Fig 17) Passenger front Bracket with Running Board



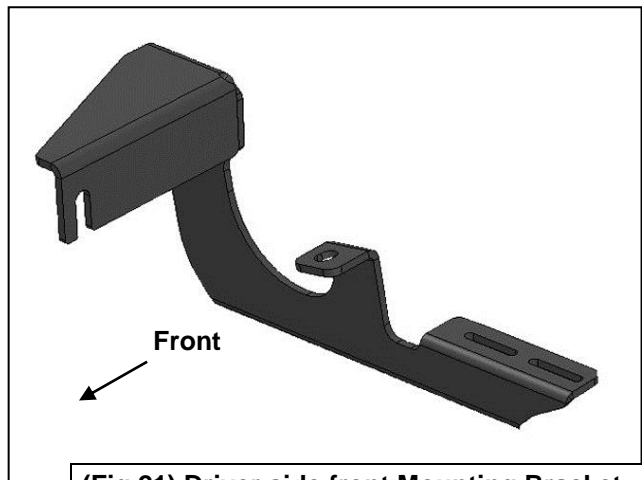
(Fig 18) Passenger side complete installation



(Fig 19) Driver side mounting location illustrated from behind/below vehicle

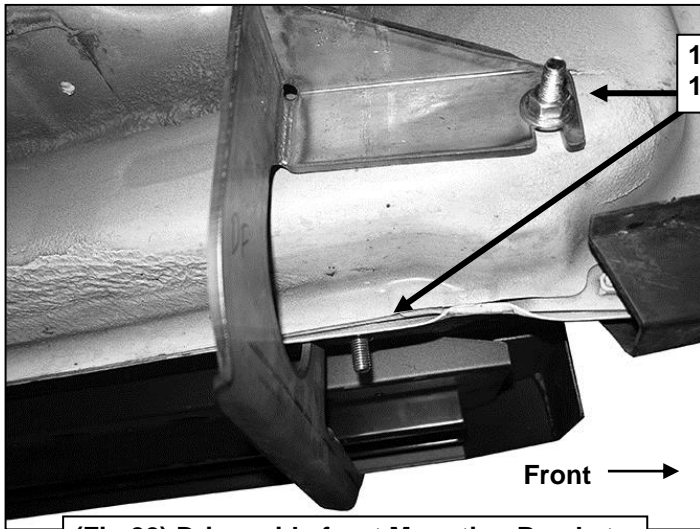


(Fig 20) Driver side front and center mounting locations



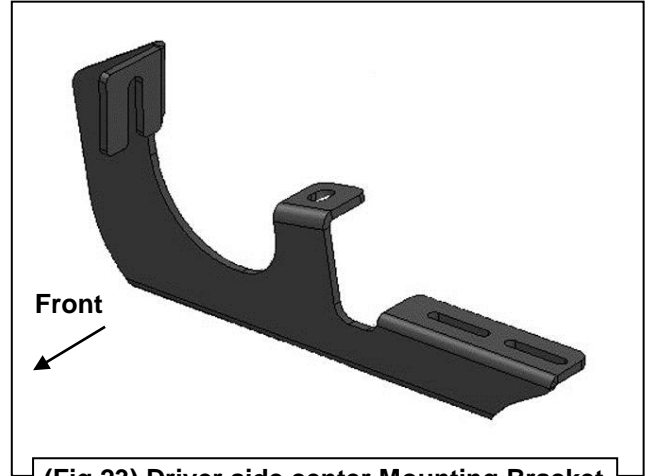
(Fig 21) Driver side front Mounting Bracket

Driver/left Side Installation Pictured

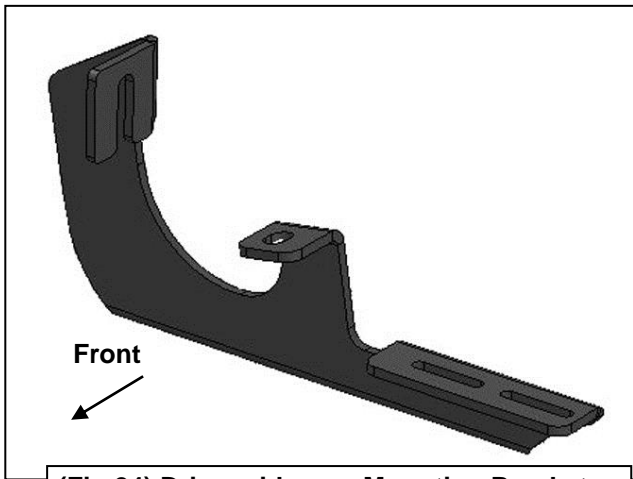


10mm Flat Washer
10mm Nylon Lock Nut

(Fig 22) Driver side front Mounting Bracket



(Fig 23) Driver side center Mounting Bracket



(Fig 24) Driver side rear Mounting Bracket



10mm Flat Washer
10mm Nylon Lock Nut

(Fig 25) Driver side center and rear
Mounting Brackets completely installed



(Fig 26) Driver side complete installation