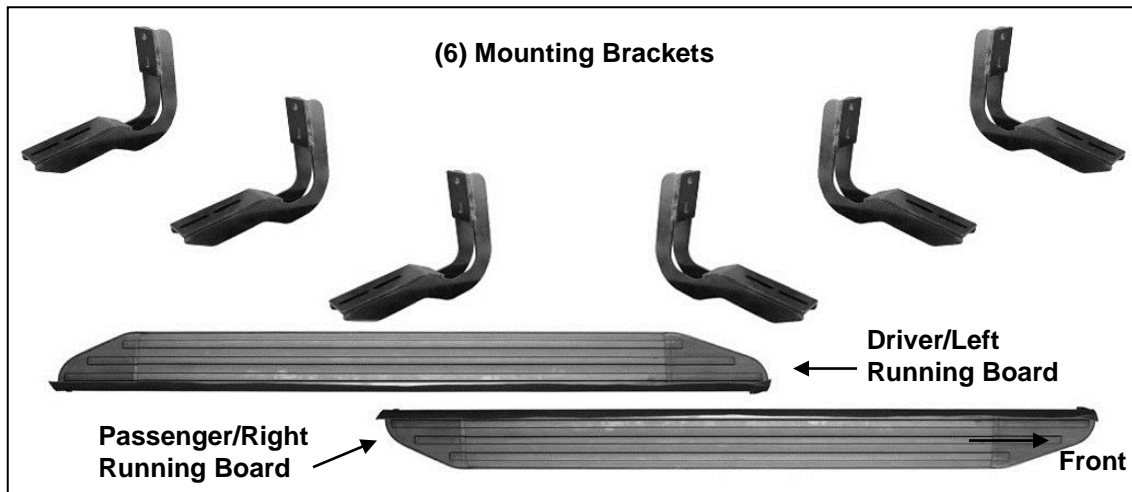


Parts List:

1	Driver/ Left Running Board	12	8mm Hex Nuts
1	Passenger/Right Running Board	12	6mm "T" Bolts
6	Mounting Brackets	12	6mm x 22mm OD x 2mm Large Flat Washers
12	8mm x 24mm x 2mm Flat Washers	12	6mm Lock Washers
12	8mm Lock Washers	12	6mm Hex Nuts



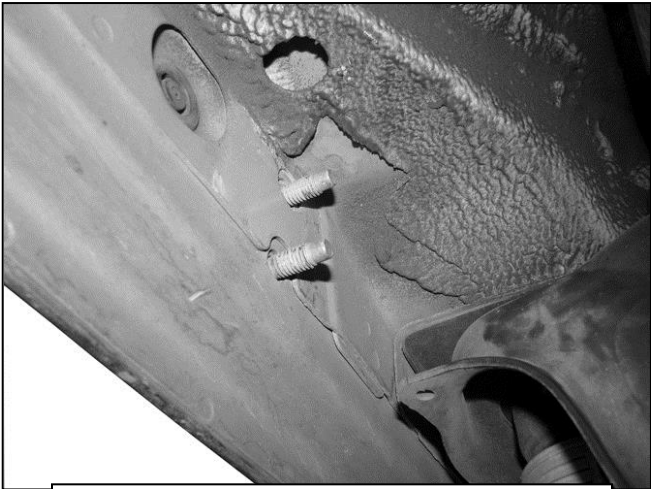
PROCEDURE:

- 1. REMOVE CONTENTS FROM BOX. VERIFY ALL PARTS ARE PRESENT. READ INSTRUCTIONS CAREFULLY. PLEASE NOTE: 200LBS IS THE MAXIMUM RATED LOAD FOR THE VIEWPOINT RUNNING BOARDS.**
- Locate the threaded studs on the inner body panel, **(Figure 1)**. Select (1) Mounting Bracket and hang it from the front mounting location, **(Figures 2 & 3)**. Secure it with the included (2) 8mm Flat Washers, (2) 8mm Lock Washers and (2) 8mm Hex Nuts. Snug hardware but do not tighten at this time.
- Repeat **Step 2** for the driver side Center and Rear Mounting Bracket installation, **(Figures 2 & 3)**.
- Select the driver/left side Running Board. Locate the openings cut at the end of the slots on the bottom of the Running Board, **(Figure 4)**. Insert (3) 6mm T-Bolts into each channel through the openings. Slide the T-Bolts into the approximate position in line with the (3) Brackets.
- Carefully place the Running Board in position on top of the Brackets. Slide the T-Bolts forward or back until they line up and drop into the slots on the Brackets. Secure the Running Board to the Brackets with (6) 6mm Flat Washers, (6) 6mm Lock Washers and (6) 6mm Hex Nuts, **(Figure 5)**. Do not tighten hardware at this time.
- Adjust and level the Running Board and tighten all hardware.
- Repeat **Steps 2 - 6** for passenger Running Board installation.
- Do periodic inspections to the installation to make sure that all hardware is secure and tight.

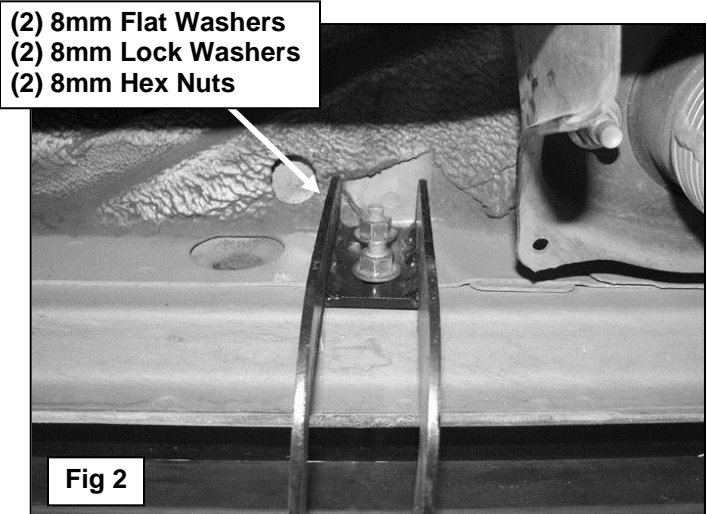
To protect your investment, wax this product after installing. Regular waxing is recommended to add a protective layer over the finish. Do not use any type of polish or wax that may contain abrasives that could damage the finish.

For stainless steel: Aluminum polish may be used to polish small scratches and scuffs on the finish. Mild soap may be used also to clean the Running Board.

Driver Side Installation Pictured

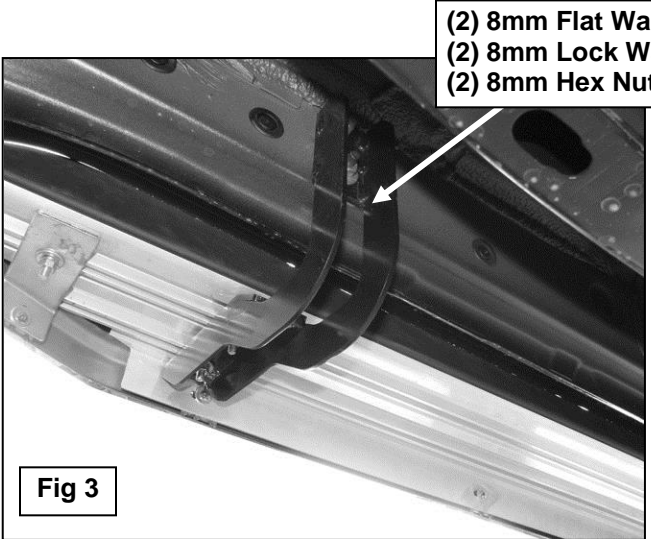


(Fig 1) Locate factory mounting locations



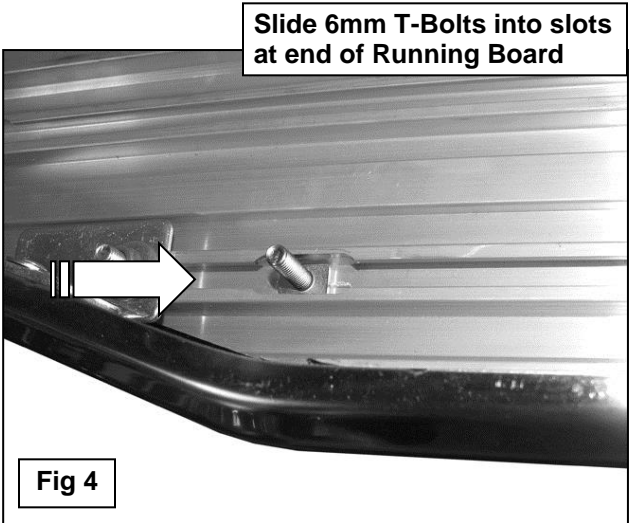
- (2) 8mm Flat Washers
- (2) 8mm Lock Washers
- (2) 8mm Hex Nuts

Fig 2



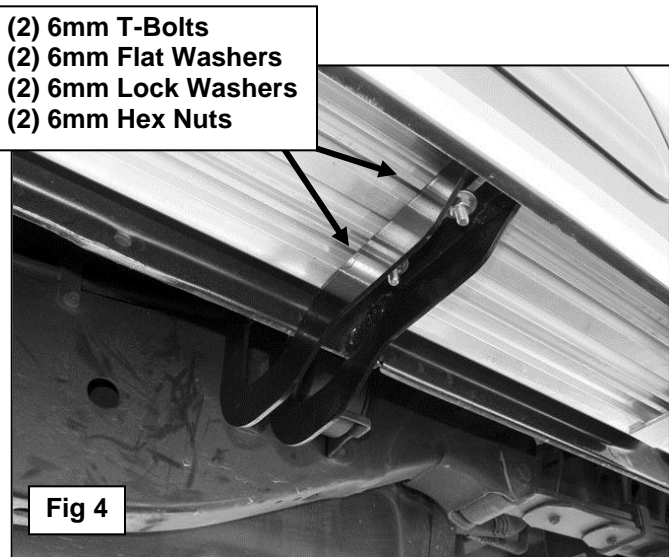
- (2) 8mm Flat Washers
- (2) 8mm Lock Washers
- (2) 8mm Hex Nuts

Fig 3



Slide 6mm T-Bolts into slots at end of Running Board

Fig 4



- (2) 6mm T-Bolts
- (2) 6mm Flat Washers
- (2) 6mm Lock Washers
- (2) 6mm Hex Nuts

Fig 4



Complete Installation