

# **INSTALLATION INSTRUCTIONS**

**Bull Bar 2.5" W/O Skid Plate**

**2015-2016 Nissan Murano**

**PART # BB8505SS**



**BLACK HORSE  
OFF ROAD**

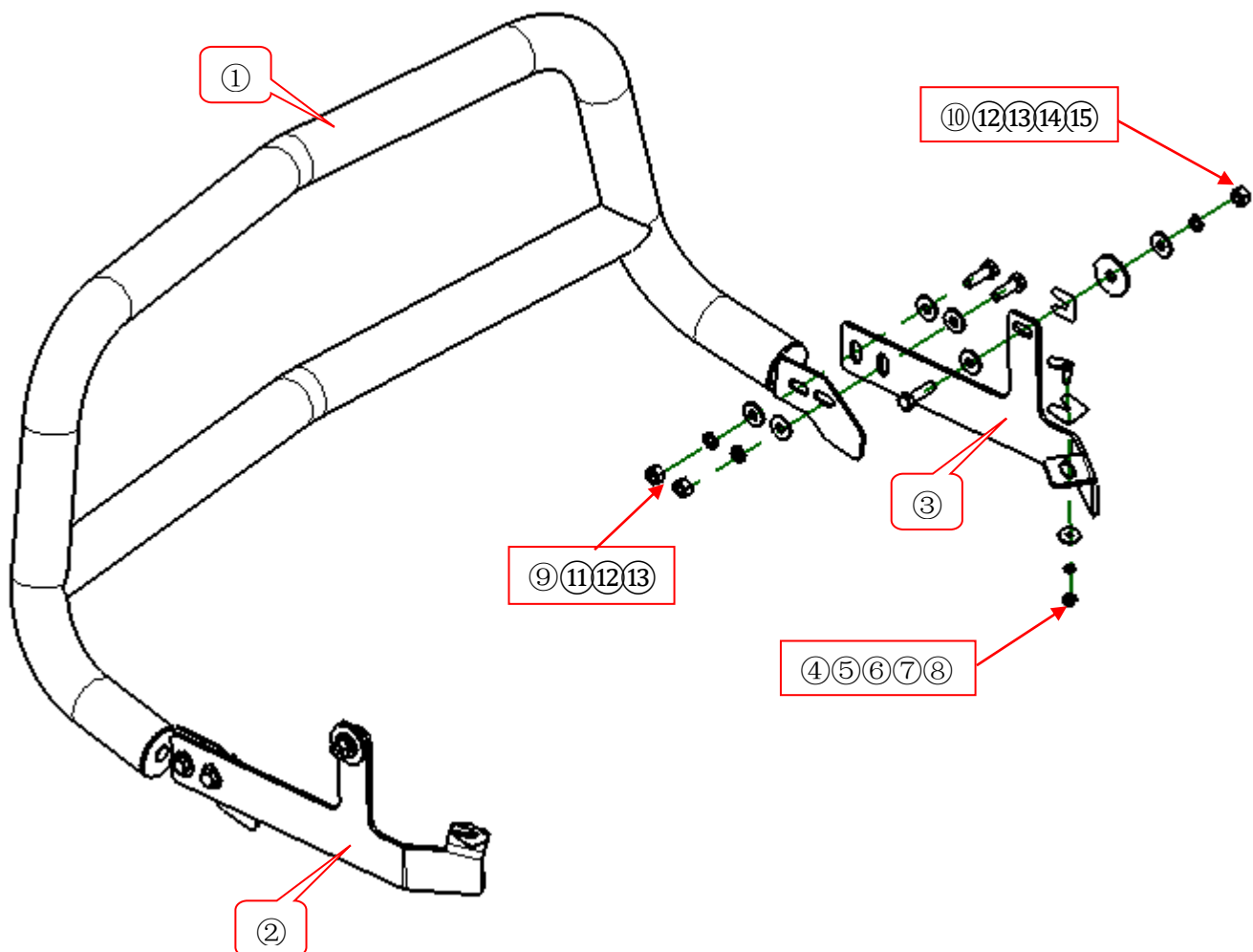
Attention:

- Please read this installation menu before installing this part. Protect your car properly in case there is any scratch might happen.
- You may need to periodically to re-tighten all hardware for safety use after installation.
- Installation pictures are only for your reference, there might be some differences between pictures and real parts but no affection for your fitting.

Part List

No.	NAME	QTY	REMARK	No.	NAME	QTY	REMARK
①	Nudge Bar	1		⑨	Hexagon Bolt	4	M12x35
②	Bracket(left)	1		⑩	Hexagon Bolt	2	M12x40
③	Bracket(right)	1		⑪	Large Washer	12	$\phi 12 \times 30 \times 3.0$
④	T Bolt	2	M8x30	⑫	Spring Washer	6	$\phi 12$
⑤	Plastic Fixture	2	$\Phi 8$	⑬	Hexagon Nut	6	M12
⑥	Large Washer	2	$\phi 8 \times 25 \times 2.0$	⑭	Extra Large Washer	2	$\phi 14 \times 50 \times 4.0$
⑦	Spring Washer	2	$\phi 8$	⑮	PVC Fixture	2	$\Phi 12$
⑧	Hexagon Nut	2	M8				

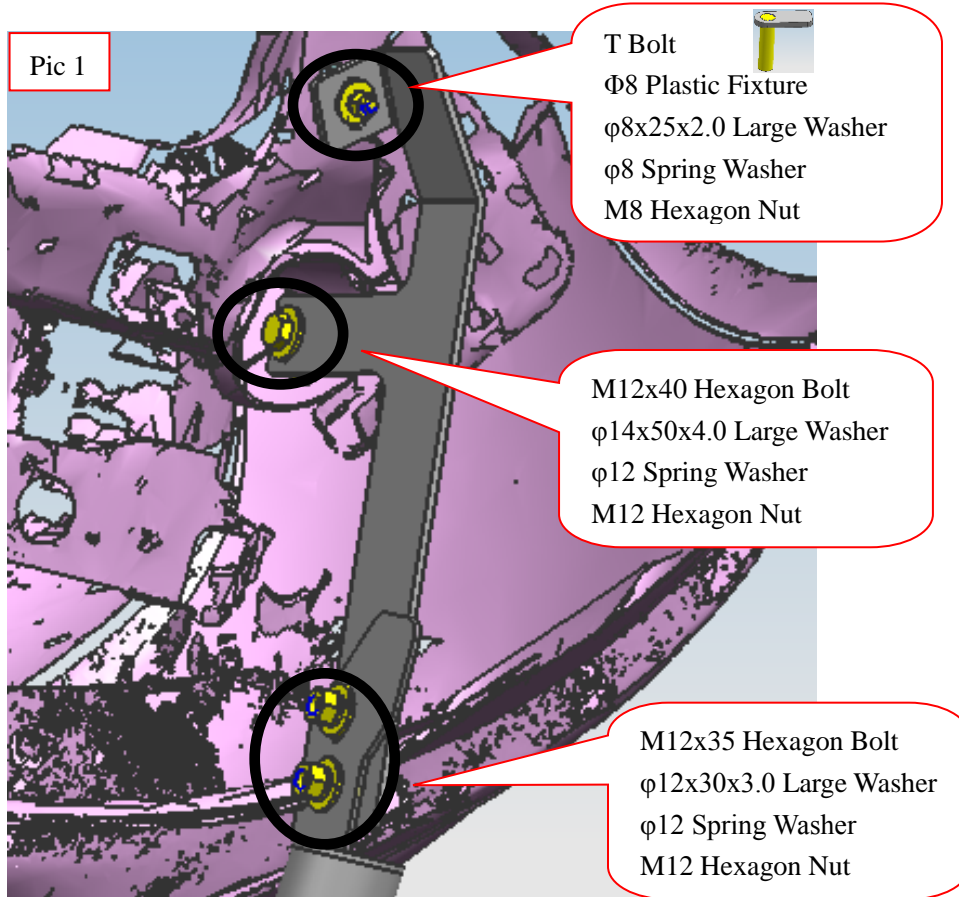
INSTALLATION PICTURE



## INSTALLATION PROCEDURES

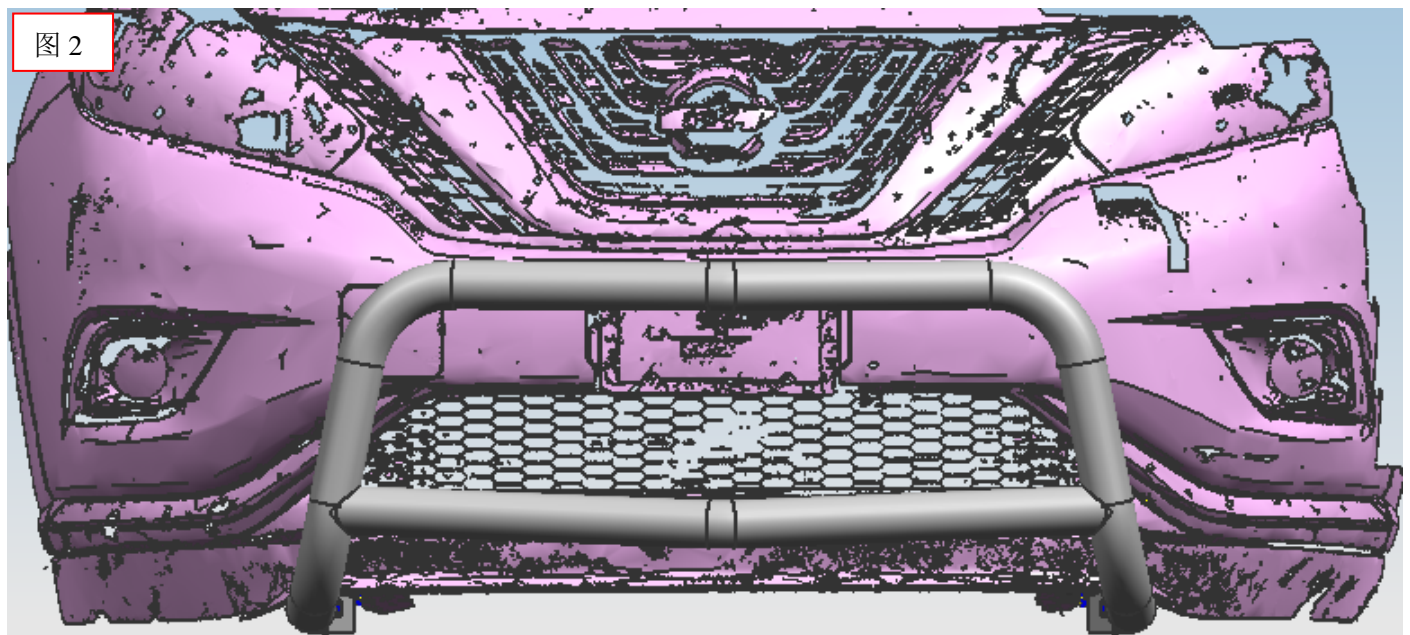
Step 1: Refer to Part List to check if all hard ware are included.

Step 2: Refer to the following picture to install left and right bracket.



Step 3: Install the nudge bar on the brackets and then adjust them to the proper positions.

Step 4: Check if all hard ware are installed and then fasten all to complete the installation.



Disclaimer: Caused due to improper installation initiates or some related problem and losses, are beyond our company's quality assurance.