



TEL:1-866-XANATOS

INSTALLATION INSTRUCTIONS

BULL BAR FOR NISSAN PATHFINDER 05-09

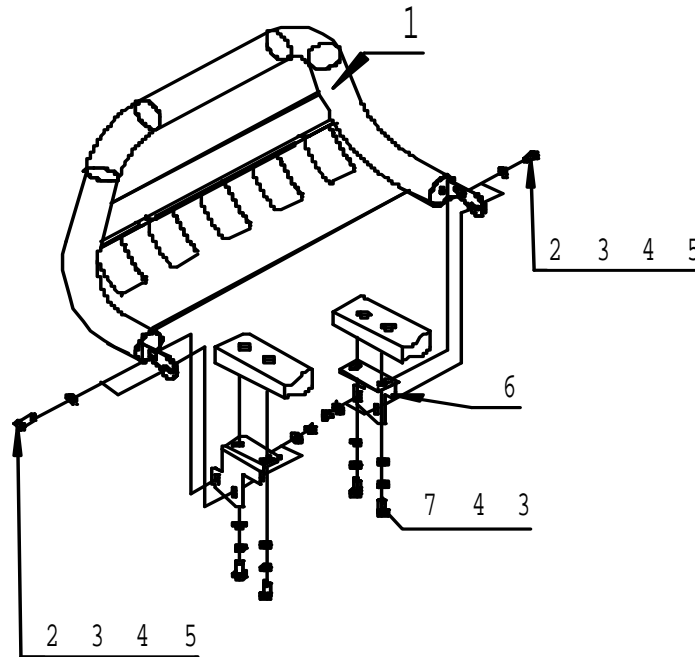
PART#:BB110209- SP/BB110209A-SP

STEP 1. REMOVE THE CONTENTS FROM BOX AND CHECK FOR DAMAGE. VERIFY ALL PARTS ARE PRESENT. READ INSTRUCTIONS COMPLETELY BEFORE BEGINNING.

STEP 2. NOTE: IT MAY BE NECESSARY TO REMOVE/RELOCATE FRONT LICENSE PLATE AND LICENSE PLATE BRACKET. IT IS NOT REQUIRED, BUT STRONGLY RECOMMENDED. IF LOCAL/STATE LAWS REQUIRES A LICENSE PLATE, :

STEP 3. REMOVE LOWER AIR DAM BY REMOVING SIX BOLTS FROM BOTTOM OF BUMPER. SAVE FOR LATER INSTALLATION.

STEP 4. DETERMINE PASSENGER AND DRIVER BRACKETS AND INSTALL AS SHOWN. NOTE: IF VEHICLE IS EQUIPPED WITH OPTIONAL TOW HOOKS, THEY MUST BE REMOVED.



NO	NAME	QTY	REMARKS
1	GRILLE GUARD		
2	HEX BOLT	4	M12*35
3	FLAT WASHER	12	∅12
4	SPRING WASHER	8	∅12
5	HEX NUT	4	M12
6	MOUNTING BRACKET	2	
7	HEX BOLT	4	M12*1.25*35