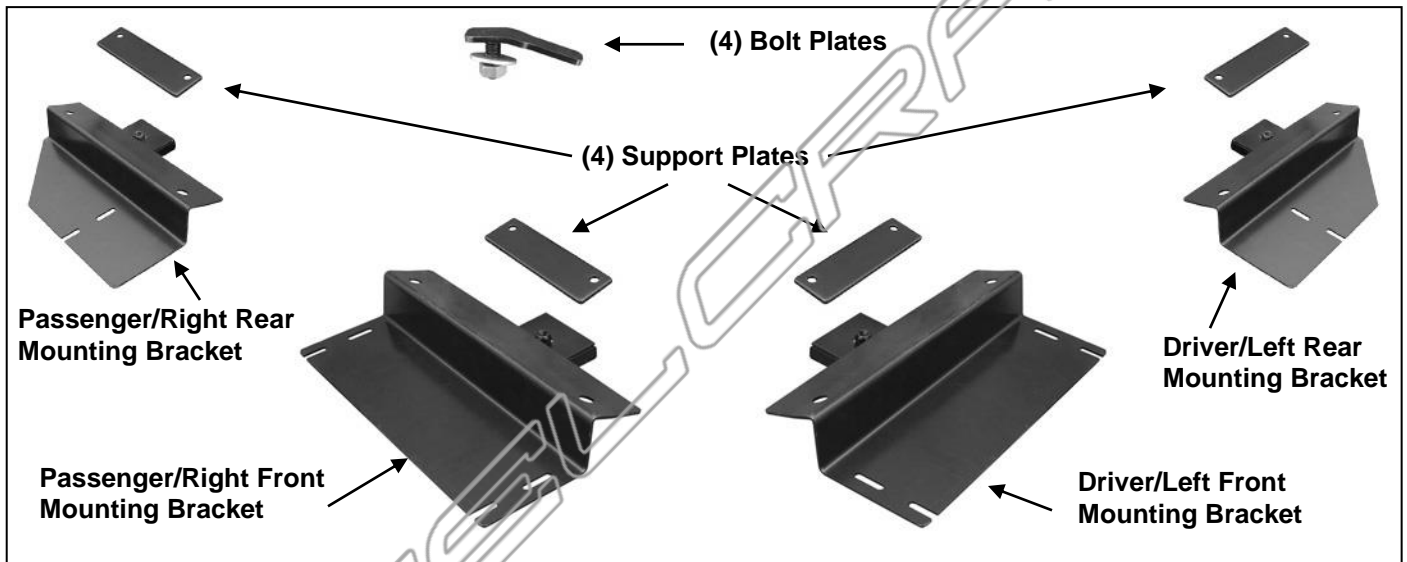


PARTS LIST:

1	Driver/Left Running Board	4	10-1.5mm x 50mm Hex Bolts
1	Passenger/Right Running Board	8	10mm x 27mm OD x 3mm Flat Washers
1	Driver/Left Front Mounting Bracket	8	10mm Lock Washers
1	Passenger/Right Front Mounting Bracket	8	10mm Hex Nuts
1	Driver/Left Rear Mounting Bracket	12	6mm T-Bolts
1	Passenger/Right Rear Mounting Bracket	12	6mm x 22mm x 2mm Flat Washers
4	140mm x 40mm x 5mm Support Plates	12	6mm Lock Washers
8	10mm x 28mm Bolt Plates	12	6mm Hex Nuts



PROCEDURE:

- 1. REMOVE CONTENTS FROM BOX. VERIFY ALL PARTS ARE PRESENT. READ INSTRUCTIONS CAREFULLY BEFORE STARTING INSTALLATION.**
- Starting on the passenger side of the vehicle, locate and remove the 2nd and 3rd round factory rubber plugs in the bottom of the body panel located closest to the front tire opening, **(Figure 1)**. Select (2) Bolt Plates, **(Figure 2)**. Insert each Bolt Plate into the factory hole with long end of the plates facing each other, **(Figure 8)**. Hold the Front Bracket over the bolt plates and line up the (2) mounting holes, **(Figure 3)**. Secure the bracket to the bolt plates with (2) 10mm Flat Washers, (2) 10mm Lock Washers and (2) 10mm Hex Nuts, **(Figure 4)**. Snug but do not tighten hardware at this time.
- Next, select (1) Support Plate and (1) 10mm x 50mm Hex Bolt, **(Figure 5)**. Thread the 10mm Hex Bolt a few threads into and through the Lock Nut welded onto the back tab on the front Bracket, **(Figure 4)**. Insert the Support Plate with the welded socket facing down, into the space between the Front Bracket and the floor panel behind the pinch weld, **(Figure 6)**. Tighten the Hex Bolt until the Plate is close to but not touching the floor panel. Do not tighten hardware at this time.
- Repeat **Steps 2—3** to install the passenger side rear Bracket, **(Figures 7—9)**.
- Carefully unwrap the Running Boards. From either open end, slide (3) T-Bolts into each channel in the bottom of the Running Board, **(Figure 10)**. Slide the T-Bolts forward or back to line up with the slots in the (2) previously installed Mounting Brackets. Hold the Running Board

**STX200 ALUMINUM RUNNING BOARD
2010-13 TOYOTA HIGHLANDER**

up to the vehicle at a slight angle and gently push it into position against the rocker panel. Insert the T-Bolts through the slots in the Brackets, **(Figure 10)**.

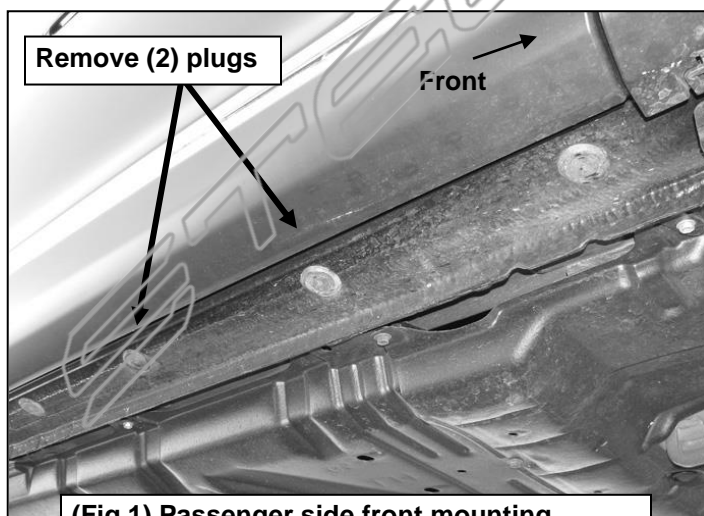
6. Attach the Running Board to the Mounting Brackets with the included (6) 6mm Flat Washers, (6) 6mm Lock Washers and (6) 6mm Hex Nuts, **(Figure 11)**. Do not tighten at this time.
7. Note that the mounting locations, (front and rear lower body panels), for the Brackets are slightly curved and not flat.
 - a. Check to see if the Running Board is level to the car, front to rear, not level to the ground, **(Figure 12)**. To adjust, loosen the 10mm Bracket hardware and slide the Brackets up or down the lower body panel. Once level, tighten the 10mm Bolt Plate to Bracket hardware only. The Hex Bolt on the back of the Mounting Bracket for the Support Plate should be completely loose at this time.
 - b. Next, check for level to the ground, side to side only. If the outside edge of the running board is tilted down, tighten the long 10mm x 50mm Hex Bolts on the back of the (2) Mounting Brackets evenly until the Running Board is level. If the Running Board is tilted up, loosen the Hex Bolt in the Support Plate a little until the Running Board is level. If the Support Plate is loose and the Board is still not level, loosen the Brackets completely and move them up or down on the body panel until the Board is properly adjusted. Once level, tighten all hardware.
8. Repeat **Steps 2—7** for the driver side Running Board installation.
9. Do periodic inspections to the installation to make sure that all hardware is secure and tight.

To protect your investment, wax this product after installing. Regular waxing is recommended to add a protective layer over the finish. Do not use any type of polish or wax that may contain abrasives that could damage the finish.

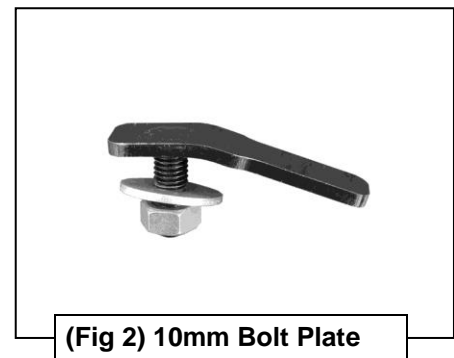
For stainless steel: Aluminum polish may be used to polish small scratches and scuffs on the finish. Mild soap may be used also to clean the Running Board.

For gloss black finishes: Mild soap may be used to clean the Running Board Brackets.

Passenger Side Installation Pictured

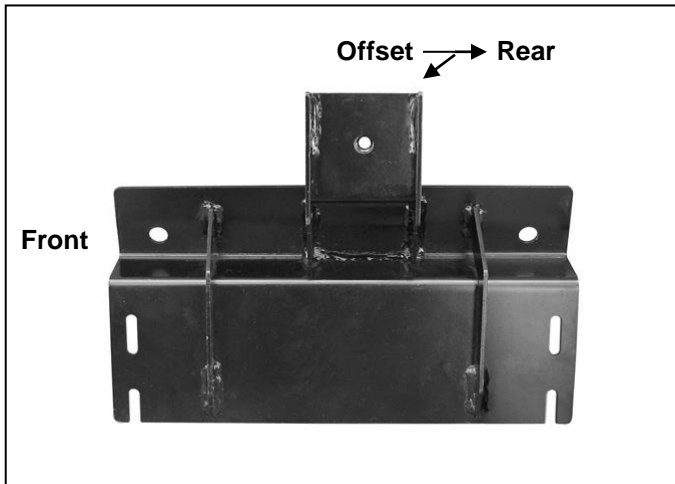


(Fig 1) Passenger side front mounting location pictured. Use the 2nd and 3rd mounting hole from the front fender opening



(Fig 2) 10mm Bolt Plate

Passenger Side Installation Pictured



(Fig 3) Bottom of Passenger side front Bracket pictured. IMPORTANT: Note rear offset mounting tab

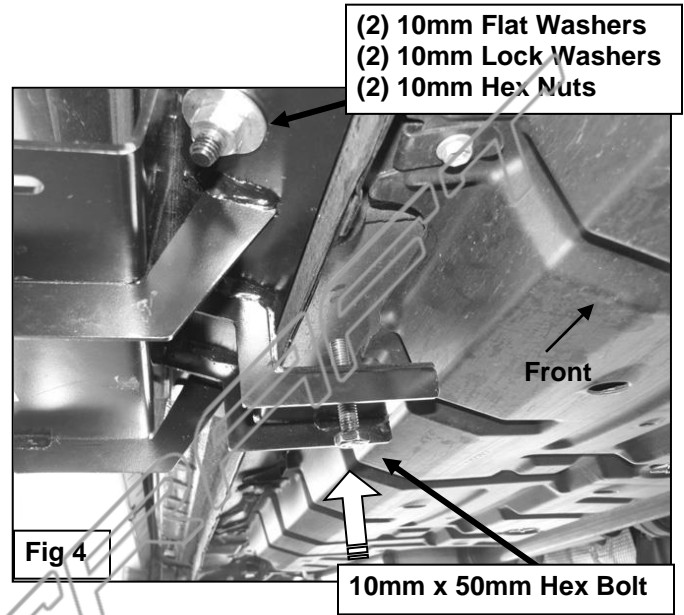
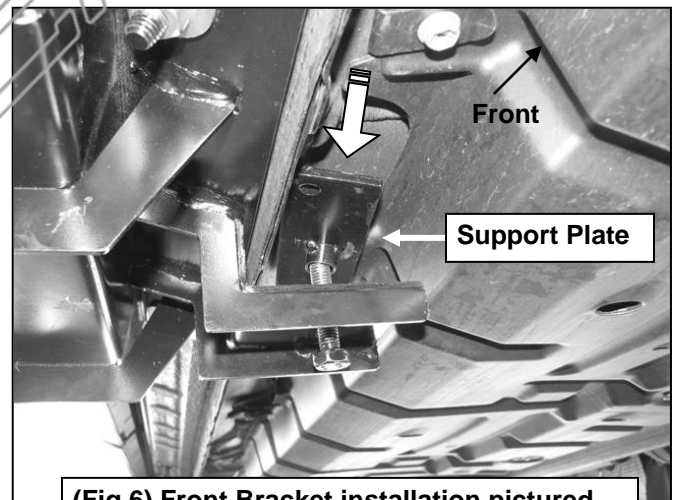


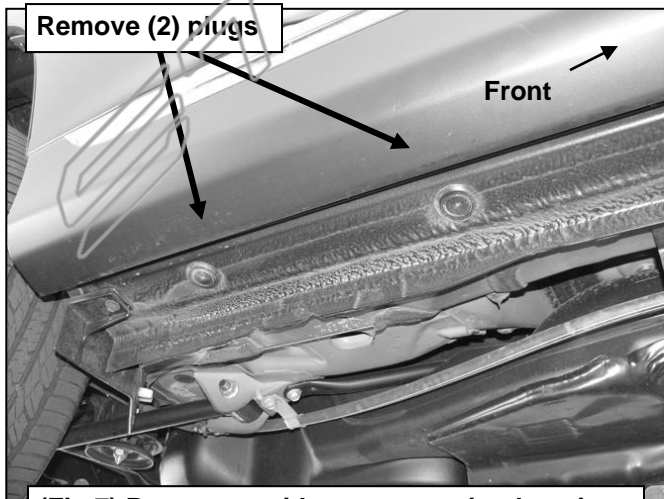
Fig 4



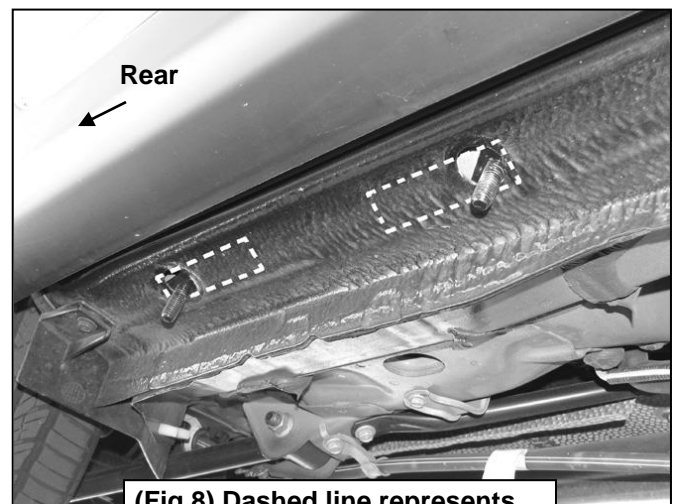
(Fig 5) Support Plate w/10mm x 50mm Hex Bolt



(Fig 6) Front Bracket installation pictured



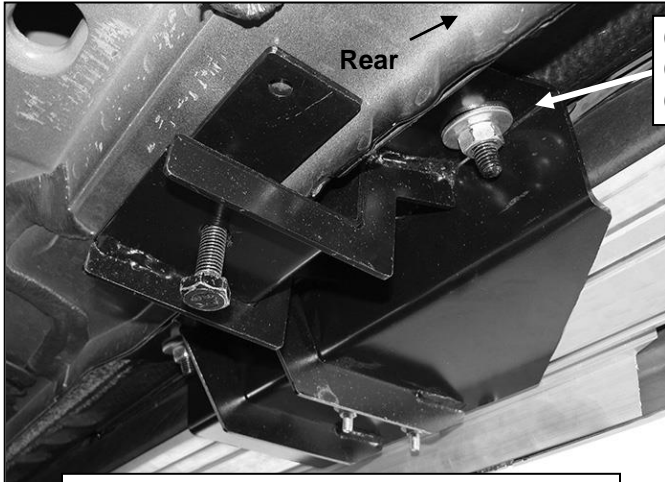
(Fig 7) Passenger side rear mounting location



(Fig 8) Dashed line represents long end of plate on Bolt Plate

**STX200 ALUMINUM RUNNING BOARD
2010-13 TOYOTA HIGHLANDER**

Passenger Side Installation Pictured



- (2) 10mm Flat Washers
- (2) 10mm Lock Washers
- (2) 10mm Hex Nuts

(Fig 9) Passenger rear Bracket installation

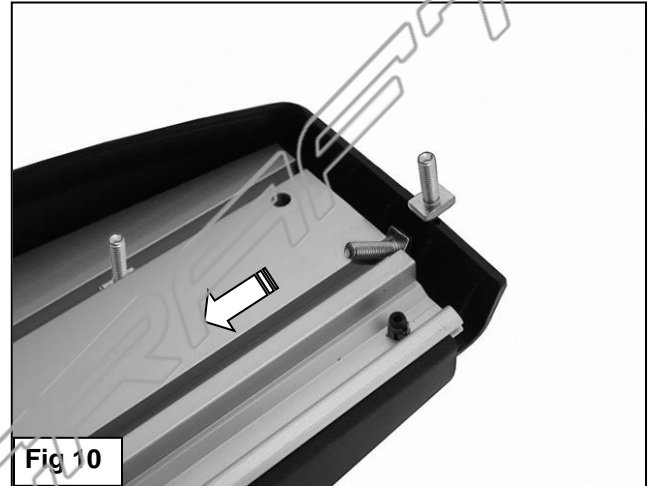


Fig 10

Tilt the Running Board up and push back into position against rocker panel. Line up T-Bolts with Brackets

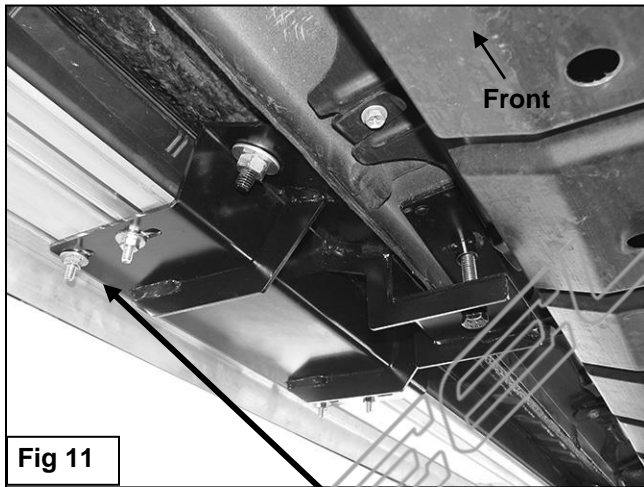


Fig 11

- (2) 6mm Flat Washers
- (2) 6mm Lock Washers
- (2) 6mm Hex Nuts



Complete Installation



Fig 12