

2009-2014 Ford F-150 Regular Cab - *Behind-the-seat Storage*

Fits DU-HA Part Number
70201

Installation Instructions:

Attach Handle (M) to top of DU-HA, refer to instructions on last page.

- 1 Flip and slide the seats forward so you can gain access behind the seats.
- 2 Set the DU-HA (A) in the truck behind the seats. Space the DU-HA 2" from the back wall and center left to right. Make sure lid opens all the way and that the latches work properly and do not hit the sides of the truck. Once you have the DU-HA positioned where you want it you have 3 options for anchoring the DU-HA into your truck. **Option 1** is to use Self-Tapping Screws, use this option if you want your DU-HA permanently attached in your truck. **Option 2** is to use Jack-Nuts, use this option if you want to be able to remove and re-install your DU-HA in your truck. **Option 3** is to use thru-bolts, use this option for a more secure permanent installation. Once you have the DU-HA in the desired position secure the DU-HA to the truck using one of the three anchoring options.

3 Anchoring Option 1: Self-Tapping Screws

Tools Needed: // Tape Measure // Socket – 1/4" // Socket Wrench or Drill

Warning: Before drilling into the truck floor make sure the area where you are going to drill through is clear of any electrical wiring, fuel lines, tanks, and reservoirs. You will have to look under the vehicle to make sure there are no obstructions at the hole locations.

Insert the self-tapping screws (D) through a Washer – 1/4" (H) and the pre-drilled holes in the bottom of the DU-HA and screw through the carpet or vinyl and into the floor of the truck using a Socket – 1/4" and Socket Wrench or Drill. DO NOT over-tighten.

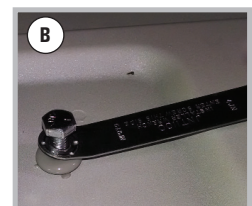
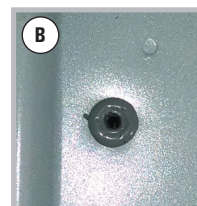
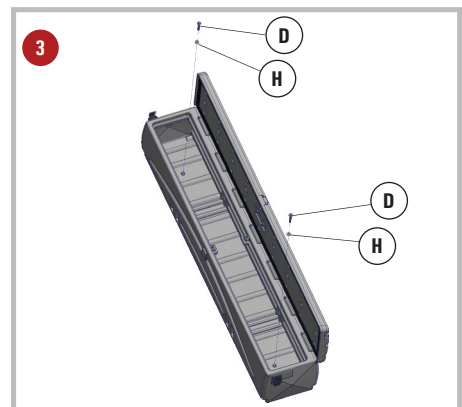
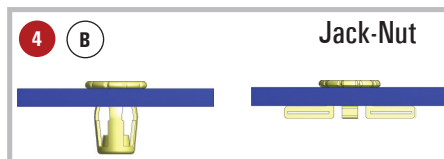
4 Anchoring Option 2: Jack-Nuts

Tools Needed:

// Drill	// Nail or Sharp Punch
// Socket – 7/16"	// 7/16" Drill Bits
// Socket Wrench	// Hammer
// Phillips Screwdriver – #3	// Tape Measure
	// Pliers
	// Jack-Nut Friction Wrench (supplied)

Warning: Before drilling into the truck floor make sure the area where you are going to drill through is clear of any electrical wiring, fuel lines, tanks, and reservoirs. You will have to look under the vehicle to make sure there are no obstructions at the hole locations.

- A With the DU-HA set in your desired position, mark the two holes in the bottom of the DU-HA on the truck floor using a nail or sharp punch. You will need to poke through the carpet and make a mark on the metal floor of the truck. Next remove the DU-HA and pull back the carpet or vinyl flooring to expose the metal floor. Find the previously made marks and drill a 7/16" hole at each of the marks.
- B Prior to installing the Jack-Nut-1/4" (E), hold the Jack-Nut with a pliers, and using the phillips screwdriver, make a hole through the rubber on the Jack-Nut by pressing and twisting into the rubber on the head of the Jack-Nut-1/4" (E). Next insert the Bolt Hex Head – 1/4" x 2-1/2" (F) through the hole in the Jack-Nut Friction Wrench (J) and thread all the way into the Jack-Nut-1/4" (E). Place the Jack-Nut-1/4" (E) in the drilled hole (*may need a hammer to tap into hole*). Secure the Jack-Nut to the vehicle by tightening the Bolt Hex Head – 1/4" x 2-1/2" (F) using a Socket 7/16" and Socket Wrench, press firmly on the Jack-Nut Friction Wrench (J) and tighten Jack-Nut – 1/4" (E) until you see the rubber on the Jack-Nut starting to get squished. Do not over tighten (max torque = 41 in/lbs). Remove the bolt from the Jack-Nut-1/4" (E). Repeat this procedure for the other Jack-Nut. **Note:** Jack-Nut Friction Wrench is only used to install Jack-Nuts. It does not take a lot of torque to break a Jack-Nut so it is best to use a 7/16" Socket and Socket Wrench. If using a drill with a 7/16" Socket, be very careful not to over tighten and strip out the Jack-Nut.



2009-2014 Ford F-150 Regular Cab – *Behind-the-seat Storage* Fits DU-HA Part Number

70201

4 Anchoring Option 2: Jack-Nuts – *Continued*

- (C) Place the DU-HA back into the truck and position it so the Jack-Nuts line up with the holes in the DU-HA. Secure the DU-HA to the truck using Bolt Hex Head – 1/4 x 2-1/2" (F), Washer – 1/4" (H) and thread into Jack-Nut – 1/4" (E). DO NOT over tighten.

5 Anchoring Option 3: Thru-Bolt – Note: This will require 2 people since you will have to go under the truck to tighten the bolts.

Tools Needed: // Tape Measure // Nail or Sharp Punch // Socket – 7/16" // Socket Wrench // 5/16" Drill Bit // Wrench – 7/16" // Drill // Hammer

Warning: Before drilling into the truck floor make sure the area where you are going to drill through is clear of any electrical wiring, fuel lines, tanks, and reservoirs. You will have to look under the vehicle to make sure there are no obstructions at the hole locations.

With the DU-HA in the truck mark the two holes in the bottom of the DU-HA onto the floor of the truck using a nail or sharp punch. Remove the DU-HA and drill two 5/16" holes at the previously marked locations. Place the DU-HA (A) back in the truck and secure with one Bolt Hex Head – 1/4" x 2-1/2" (F), two Washers – 1/4" (H), one Lock Washer – 1/4" (I) and one Nut – 1/4" (G) two places, using Socket – 7/16", Socket Wrench and Wrench – 7/16".

6 Foam Organizer / Gun Holders / Stiffeners

Sandwich each Foam Organizer / Gun Rack (B) in between two Plastic Stiffeners (C). Place each Foam Organizer / Gun Rack / Stiffener assembly into the channel slots in the side walls of the DU-HA (A), facing opposing directions.

Note: You may have to flex the assembly to get it into place.

(Hint – Stock of gun should rest in large groove; barrel should rest in small groove.)

7 Velcro Straps

To secure guns in the DU-HA, loop each Velcro Strap (K) through the holes in the top of the Foam Organizer / Gun Rack (B) / Stiffener (C) assembly. Wrap the Velcro Strap around the gun, then attach the Velcro Strap to itself and make sure it is securely fastened.

Note: Proper use of Velcro Straps helps prevent guns from bouncing on rough terrain.

8 Center Brace

To maximize strength and stability, use the Center Brace (L). Insert each end into a hole on the top lip of the DU-HA (A) at the middle. To access cargo while using the Center Brace, lift one end out of the hole and rotate the Center Brace out of the way. Return Center Brace to hole when finished.

9 Locking the DU-HA

To lock the DU-HA, use one or more standard padlocks. Insert lock through the latch hole.

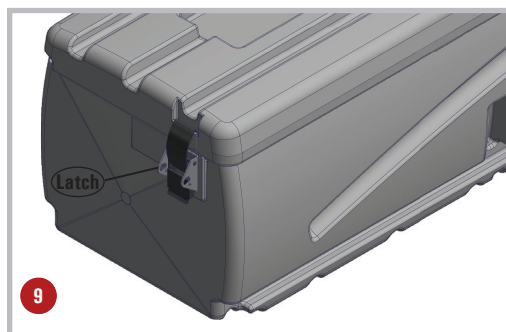
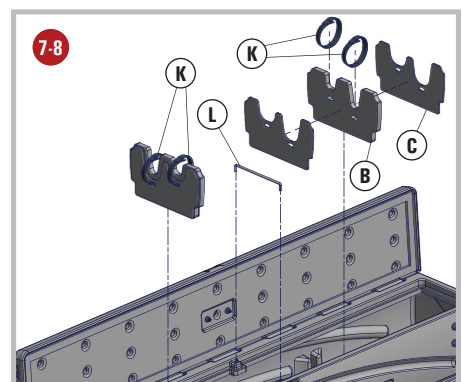
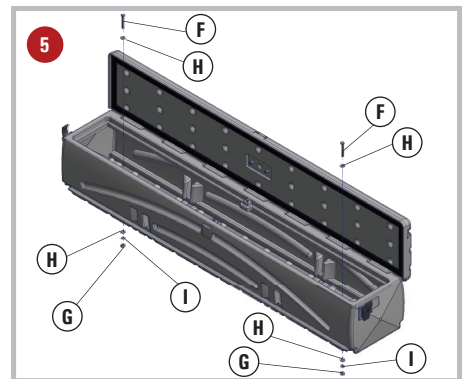
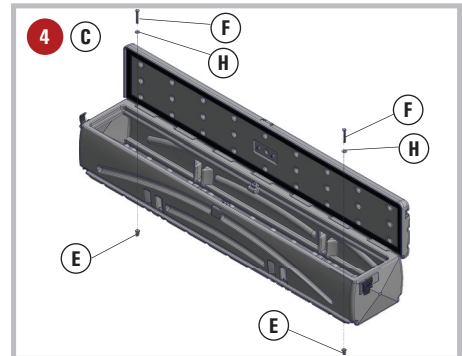
Note: Lock only needs to go through one hole in the latch.

Note: Lid may need to be pressed down in order to close the latches when the seal is new. Once the seal has formed to the lid it should close on its own.

Safety Instructions:

Warning: Make sure the DU-HA is secured in the vehicle according to installation instructions. Do not store explosives or hazardous materials in the DU-HA. Do not place loaded guns in the DU-HA.

For further instructions refer to truck owner's manual or contact DU-HA, Inc.



Exploded View / Parts List

Attach Handle

Place Handle (M) over holes in Lid Top. Insert two Bolts – #10 x 1.5 (N) through Handle (M) and DU-HA (A) Lid. Secure with Flat Washer – #10 (O) and Lock Nut – #10 (P) Use supplied 1/8" Hex Key Wrench (Q).

Part	Description	Qty
A	DU-HA Storage Unit	1
B	Foam Organizer / Gun Rack	2
C	Plastic Stiffener	4
D	Self-Tapping Screw	2
E	Jack-Nut – 1/4" (1 extra)	3
F	Bolt Hex Head – 1/4"x2-1/2"	2
G	Nut – 1/4"	2
H	Washer – 1/4"	4
I	Lock Washer – 1/4"	2
J	Jack Nut Friction Wrench	1
K	Velcro Strap	4
L	Center Brace	1
M	Handle	1
N	Bolt – #10 x 1.5	2
O	Flat Washer – #10	2
P	Lock Nut – #10	2
Q	1/8" Hex Key Wrench	1

