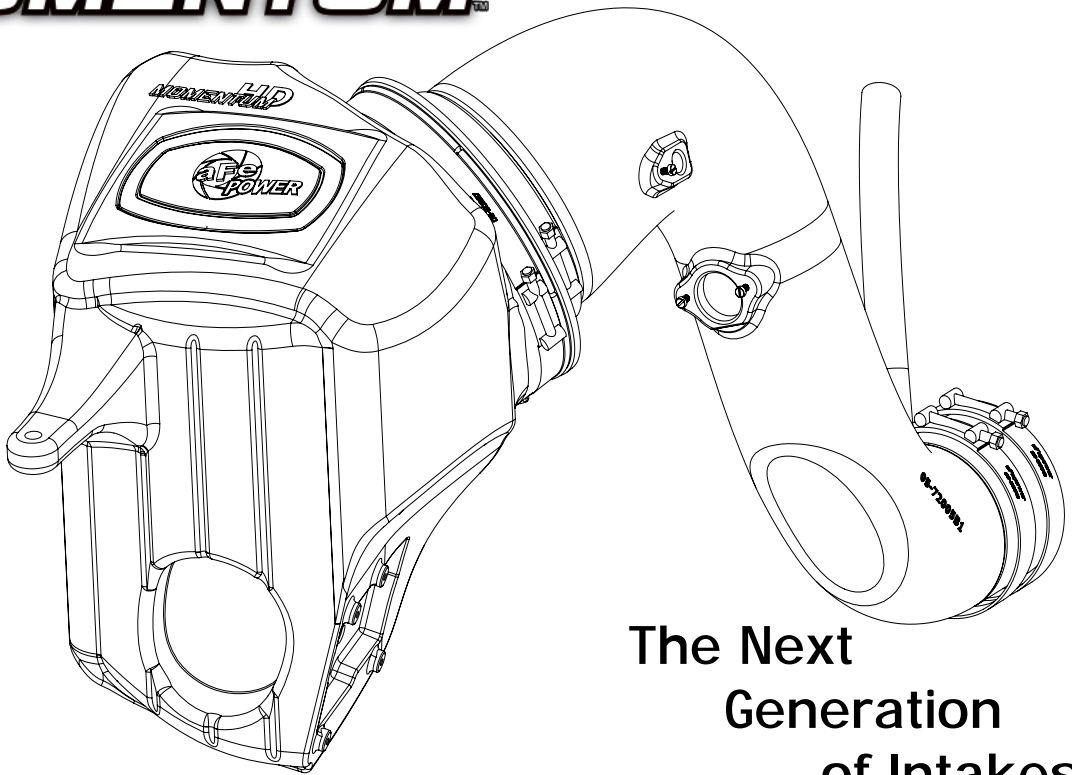




MOMENTUM HD



The Next
Generation
of Intakes

advanced FLOW engineering

Instruction Manual P/N: 50-72005 / 51-72005 / 75-72005

Make: **RAM** Model: **2500/3500** Year: **2013-2017** Engine: **L6-6.7L (td) Cummins**



- Please read the entire instruction manual before proceeding.
- Ensure all components listed are present.
- If you are missing any of the components, call technical support at 951-493-7100 or e-mail tech@afepower.com.
- Ensure you have all necessary tools before proceeding.
- Do not attempt to work on your vehicle when the engine is hot.
- Disconnect both the negative battery terminal before proceeding.

Retain factory parts for future use.

Label	Qty.	Description	Part Number
A1	1	Pro 10R Air Filter (Blue Media)	20-91059
A2	1	Pro DRY S Air Filter (Grey Media)	21-91059
A3	1	Pro GUARD 7 Air Filter (Yellow Media)	72-91059
B	1	Clamp- Mini (11/16" - 1-1/4")	03-50023
C	3	Screw, M4	03-50490
D	2	Clamp, T-Bolt (4-1/8" - 4-1/2")	03-50499
E	1	Clamp, T-Bolt (8-5/16" - 8-5/8")	03-50267
F	1	Hose 3/4" ID, Black (8")	05-00070
G	1	Coupling, Straight 4" ID	05-00715
H	1	Tube	05-72005B1
I	1	Housing	05-72005B2

Installation will require the following tools:

7mm, 8mm, 10mm and 13mm socket or nut driver, 1/2" socket, ratchet and extension, pliers, flat-head screwdriver, T30 torx driver.

Note: Not legal for use in California. The use of this device in any on-road or off-road vehicles registered with the California Dept of Motor Vehicles (DMV) is strictly prohibited.

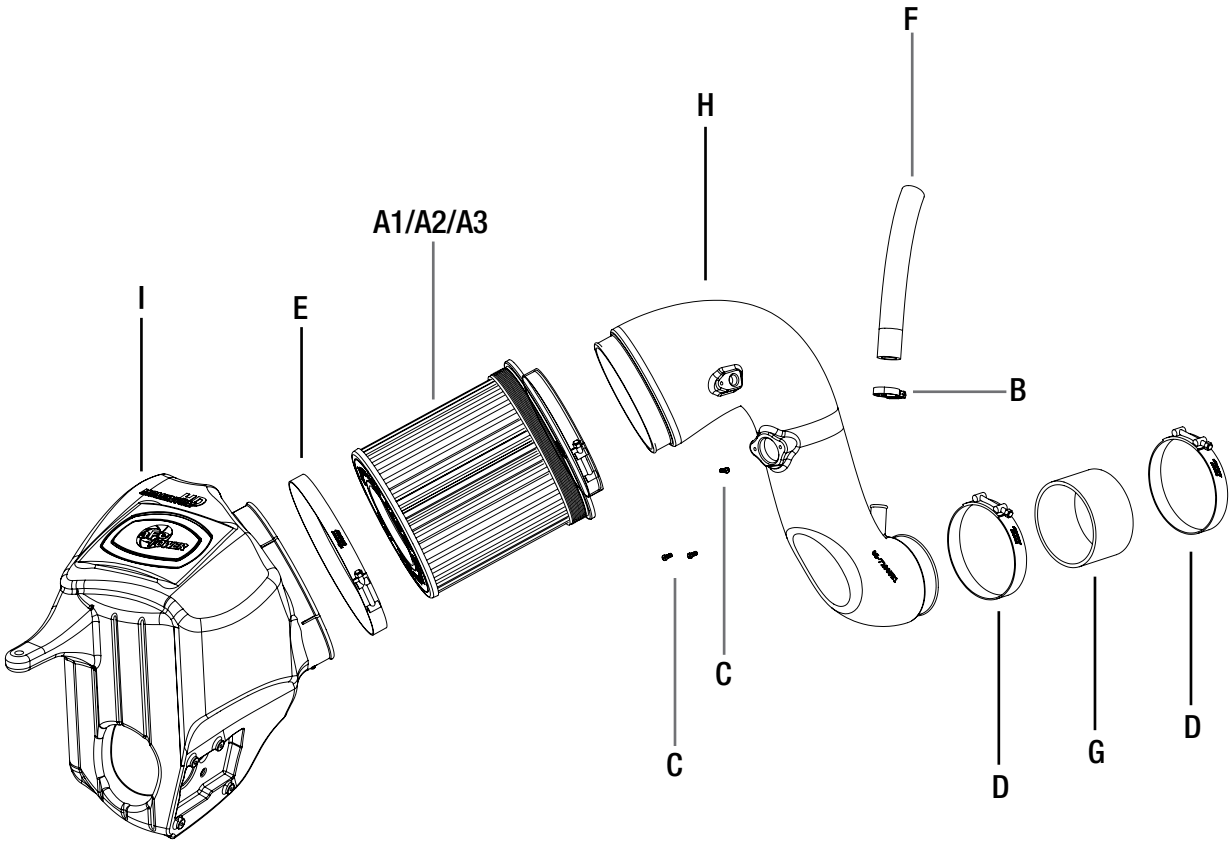




Figure A

Refer to Figure A for steps 1-3

Step 1: Disconnect the negative cable ① on both batteries.

Step 2: Remove the screw holding ② the factory air box down with a 1/2" socket.

Step 3: Disconnect the wiring harness from the Mass Air Flow (MAF) sensor ③ and temperature sensor ④.



Figure B

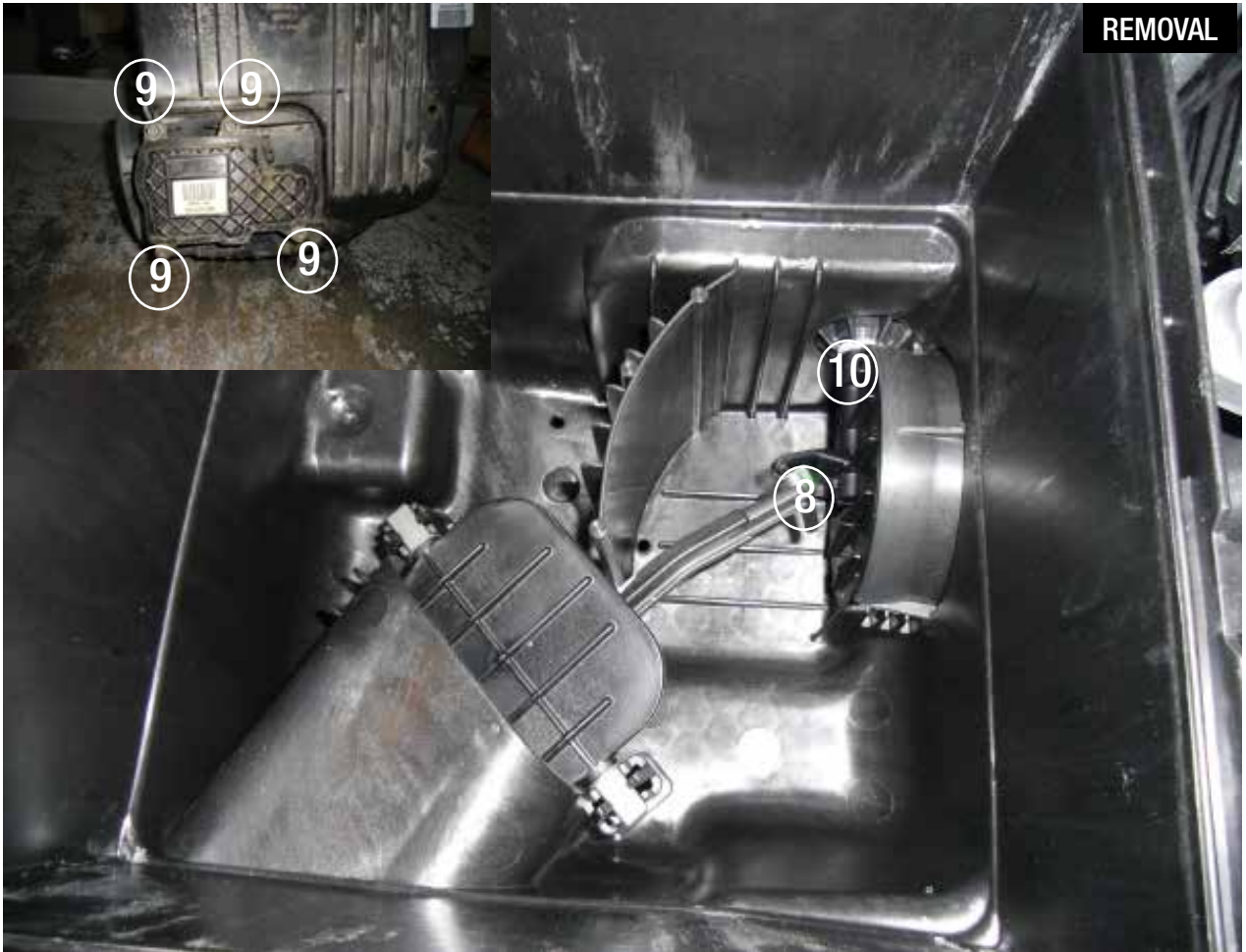
Refer to Figure B for steps 4-5

Step 4: Disconnect the crank case vent line (5) using pliers (factory clamp will be re-used).

Step 5: Loosen the clamp (6) connecting the factory intake tube to the turbocharger.

**Figure C****Refer to Figure C for step 6**

Step 6: Lift the entire factory intake system up out of the vehicle. Once you are able to reach it, disconnect the wiring harness ⑦ from the Ram Active Air Mechanism. Then pull the factory intake system out of the vehicle.

**Figure D****Refer to Figure D for steps 7-10**

Step 7: Open up the factory air box and remove the filter.

Step 8: Disconnect the ball (8) joint connected to the flap.

Step 9: Using a T30 torx driver, remove the screws (9) securing the Ram Active Air mechanism. Those screws will be re-used to install the Ram Active Air mechanism onto the aFe air box.

Step 10: Remove the flap (10) from the motor shaft. This will require a lot of force. Take the Ram Active Air motor and flap off the factory air box.

**Figure E****Refer to Figure E for steps 11-13**

- Step 11: Transfer the Ram Active Air motor to the aFe air box. Re-install the flap on the motor shaft by firmly pushing on it.
- Step 12: Secure the assembly to the aFe air box using the factory screws. Make sure the flap is fully engaged to the motor shaft.
- Step 13: Slide the aFe filter into the aFe housing. Install the larger clamps on the housing and filter. Do not tighten at this time.



Figure F

Refer to Figure F for steps 14-15

Step 14: Install the housing assembly into the vehicle. Re-connect the wiring harness to the Ram Active Air mechanism. Firmly push the housing into the factory mounting grommets.

Step 15: Re-install the factory screw (11) removed in step 2 to secure the housing. Do not completely tighten yet.

**Figure G****Refer to Figure G for steps 16-18**

- Step 16: Transfer the MAF sensor and the temperature sensor from the factory air box to the aFe tube. Use the furnished M4 screws to secure the sensors.
- Step 17: Install the supplied hose on the tube. Install supplied mini clamp on aFe tube side and tighten. Slide the factory clamp on the other end of the hose.
- Step 18: Install the furnished coupling and T-bolt clamps on the small end of the tube. Do not tighten yet.



Figure H

Refer to Figure H for steps 19-20

Step 19: Install the aFe tube into the vehicle by sliding the coupling over the turbo then by connecting the tube to the filter. Align the tube, filter and housing, then tighten all clamps and screws.

Step 20: Reconnect the hose (12) to the factory crankcase line. Using pliers, secure it with the factory clamp.



Figure I

Refer to Figure I for steps 21-23

Step 21: Reconnect the MAF sensor and temperature sensor harness.

Step 22: Reconnect both batteries.

Step 23: Verify all connections are secured. Your installation is now completed.

NOTE: Verify all connections are secured after 100-200 miles.

Page left blank intentionally



Air Filter



PRO 10R P/N: 20-91059
PRO DRY S P/N: 21-91059
PRO 5R P/N: 24-91059
PRO-GUARD 7 P/N: 72-91059

Pre-Filter



P/N: 28-10273

Blue Aerosol Restore Kit



P/N: 90-50001

Blue Squeeze Restore Kit



P/N: 90-50501

Fuel Filter



P/N: 44-FF016

F3 Torque Converters



P/N: 43-12031

Differential Cover



P/N: 46-70043

Intake Manifold



P/N: 46-10071

SAVE \$25
ON A REPLACEMENT
MOMENTUM HD
AIR FILTER. TO RECEIVE YOUR DISCOUNT PLEASE CALL
888.901.7693

To purchase any of the items above, view airflow charts, dyno graphs, photos, and video; please go to aFepower.com.

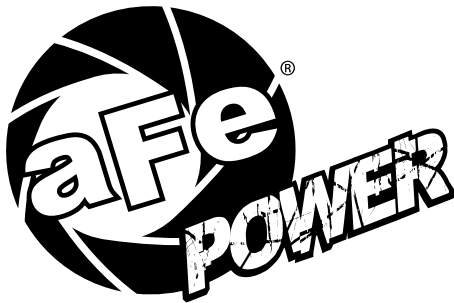
Warranty

General Terms:

- aFe warrants their products to be free from manufacturer's defects due to workmanship and material.
- This warranty applies only to the original purchaser of the product and is non-transferrable.
- Proof of purchase of the aFe product is required for all warranty claims.
- Warranty is valid provided aFe instructions for installation and/or cleaning were properly followed.
- Proper maintenance with regular inspections of product is required to insure warranty coverage.
- Damage due to improper installation, abuse, unauthorized repair or alteration is not warranted.
- Incidental or consequential damages or cost, including installation and removal of part, incurred due to failure of aFe product is not covered under this warranty.
- All warranty is limited to the repair and/or replacement of the aFe part. To request Return Goods Authorization ("RGA"), email RGA@afepower.com or call (951)493-7100. Upon receipt of the RGA, you must return the product to the address provided in the RGA, freight prepaid and accompanied with a dated proof of purchase and the RGA. Upon receipt of the defective product and upon verification of proof of purchase, aFe will either repair or replace the defective product within a reasonable time, not to exceed thirty days.

Product Category	P/N Prefix	Warranty duration
Direct OE Replacement Filters	10, 11, 30, 31, 71, 73	Life of the vehicle
Racing Filters	18	1 year
Universal	21, 24, 72	2 years
Air Intake Systems	50, 51, 54, 55, 75	2 years
Exhaust Systems	49	2 years
Intercoolers & Intercooler Tubes	46-2	2 years
Intake Manifolds	46-1	2 years
Differential Cover	46-7	Life of the vehicle
Exhaust Manifolds	46	2 years
Throttle Body Spacers	46-3	2 years
Fluid Filters	44	90 days
Pre-Filters	28	2 years
Heavy Duty OE Replacement	70	2 years
PowerSports OE Replacement	81, 87	2 years
PowerSports Intake Systems	85	2 years

No other warranty expressed or implied applies nor is any person or advanced FLOW engineering authorized to assume any other warranty. Some States do not allow the exclusion or limitation of incidental or consequential damages or do not allow limitations on how long an implied warranty lasts, so the above limitations or exclusions may not apply to you. This warranty gives you specific legal rights, and you may also have other rights which vary from State to State.



advanced FLOW engineering, inc.

252 Granite Street Corona, CA 92879

TEL: 951.493.7155 • TECH: 951.493.7100