

INSTALLATION INSTRUCTIONS AND PARTS LIST

APPLICATION: MODEL **571443** MEGA STEP BRACKETS ON:
2014+ GM 1500 DOUBLE CAB/CREW CAB PICKUPS, GAS
2015 GM 2500/3500HD DOUBLE CAB/CREW CAB PICKUPS, GAS
ROCKER PANEL MOUNT APPLICATION



NO DRILL APPLICATION

1. READ INSTRUCTIONS COMPLETELY AND CHECK TO MAKE SURE THAT ALL REQUIRED PARTS (LISTED ON SERVICE PARTS LIST) ARE ON HAND BEFORE STARTING THE INSTALLATION. THE SIDE ENTRY STEP ASSEMBLIES SHOULD BE MOUNTED TO THE PINCH WELD AND VERTICAL WALL OF THE ROCKER PANEL AS FOLLOWS. **NOTE: DEPENDING ON THE VEHICLE, THE HOLE CONFIGURATION MAY CHANGE. FASTENERS ARE PROVIDED FOR ALL APPLICATIONS.**
2. ON THE LEFT SIDE OF THE VEHICLE REMOVE THE PLASTIC BODY PLUGS THAT ARE LOCATED ON THE VERTICAL WALL OF THE ROCKER PANEL AND INSERT A 5/16"-18 U-NUT (ITEM #7) AS SHOWN. **NOTE: IF THERE ARE THREADED INSERTS IN THE UPPER LOCATION, USE THE BLACK M8-1.25 X 30 MM BOLTS (ITEM #9).**
3. POSITION THE MOUNTING BRACKETS (ITEM #2) SO THAT THE HOLES ON THE BRACKET LINE UP WITH THE HOLES ON THE INSIDE WALL OF THE ROCKER PANEL. INSTALL A 5/16"-18 X 1.0" HEX BOLT, AND A 5/16" FLAT WASHER (ITEMS #4, 5) FINGER TIGHT.
4. INSTALL A BLACK M8-1.25 X 30 MM HEX BOLT, 5/16" FLAT WASHER, AND THE PINCH WELD SUPPORT (ITEMS #5, 8, 9) THROUGH THE HOLE AND INSTALL AM8-1.25 NUT (ITEM #6) FINGER TIGHT ON THE BACK AS SHOWN.
5. REPEAT STEPS 3 – 4 FOR THE REMAINING BRACKETS
6. INSTALL THE STEP BOARD AS DESCRIBED BY THE INSTRUCTIONS INCLUDED WITH YOUR STEP BOARDS.
7. PRESS STEP DOWN AND BACK, TIGHTEN THE MOUNTING BOLTS TO 19 LB-FT STARTING WITH THE BOTTOM BOLTS FOLLOWED BY THE TOP BOLTS.
8. REPEAT STEPS 2 – 7 FOR THE RIGHT SIDE OF THE VEHICLE

SERVICE PARTS LIST

| ITEM | PART NO. | QTY | DESCRIPTION |
|------|----------|-----|------------------------------------|
| 1 | | 1 | STEP ASSY, MEGA STEP / O-MEGA STEP |
| 2 | 552628 | 3 | BRKT-MTG, LH, MS 07+ GM PICKUPS |
| 3 | 552627 | 3 | BRKT-MTG, RH, MS, 07+ GM PICKUPS |
| 4 | 106998 | 12 | 5/16" – FLATWASHER SST, BZP |
| 5 | 100647 | 6 | 5/16"-18 X 1.00" SCR ZP |
| 6 | 105859 | 6 | NUT SERR FLG, M8-1.25, ZP |
| 7 | 105541 | 6 | U-NUT,5/16"-18 |
| 8 | 551666 | 6 | BRKT-MTG,PINCH WELD SUPPORT |
| 9 | 100180 | 10 | SCREW-HEX, M8-1.25 X 30MM, BZP |



(A LUVERNE Company)

1200 E. Birch St.

Brandon, SD 57005

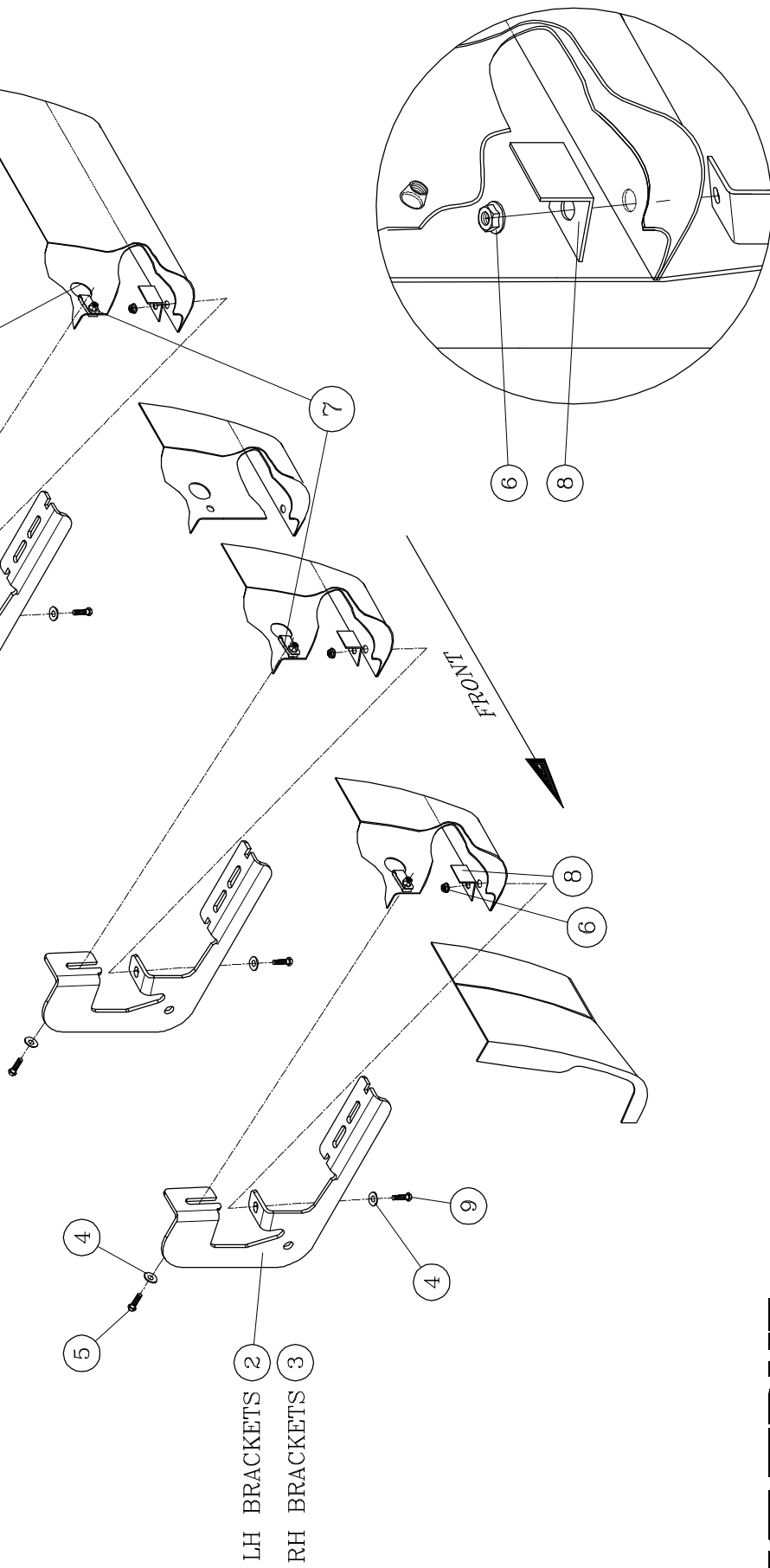
552763 SHEET 1 OF 2 22OCT14

SERVICE PARTS LIST

MODEL NO. - 571443

GM DOUBLE CAB GM CREW CAB

REMOVE 3 BODY PLUGS



PINCH WELD SUPPORT ASSEMBLY

LEFT (DRIVER) SIDE SHOWN

- RIGHT (PASSENGER) SIDE OPPOSITE -



(A LOVERNE COMPANY)

1280 E. 21st St. Spindon, OH 47705