

**INSTALLATION INSTRUCTIONS AND PARTS LIST**  
**MODEL**  
**571161 MEGA STEP BRACKETS SHORT/SHORT**  
**401161 GRIP STEP BRACKETS SHORT/SHORT**  
 2011 NISSAN NV VANS

READ INSTRUCTIONS COMPLETELY AND CHECK TO MAKE SURE THAT ALL REQUIRED PARTS (LISTED ON SERVICE PARTS LIST) ARE ON HAND BEFORE STARTING THE INSTALLATION.

**DRIVER SIDE INSTALLATION**

1. DRILL (2) 3/8" DIAMETER HOLE THROUGH THE MIDDLE OF THE PINCH WELD FOR THE BOTTOM MOUNTING HOLE. SEE **FIG.1** TO MARK THESE LOCATIONS WHICH ARE MEASURED FROM THE FRONT WHEEL WELL OPENING.
2. HOLD TWO OF THE BRACKETS (ITEM #1) UP TO THE VEHICLE AS SHOWN SECURING THEM WITH A 5/16-18X1.0 BOLT, FLANGE NUT, AND 2 WASHERS (ITEMS #2,3,4). TIGHTEN THESE FASTENERS DOWN ENSURING THAT THEY ARE LEVEL WITH THE VEHICLE.
3. WITH THE (2) BRACKETS IN PLACE AND THAT THE UPPER SURFACE IS IN CONTACT WITH THE VEHICLE, USE THE TOP (2) HOLES IN THE BRACKET AS A GUIDE AND DRILL (2) 5/32" HOLES THROUGH THE INNER ROCKER PANEL FOR EACH BRACKET. INSTALL THE 1/4" X 3/4" SELF TAPPING SCREWS (ITEM #5) **USE CARE NOT TO OVER TIGHTEN.**

REPEAT STEPS 1 THROUGH 3 FOR THE PASSENGER SIDE.  
**TORQUE ALL 5/16" NUTS AND BOLTS TO 20 LB FT.**

4. ATTACHING THE STEP ASSEMBLY:  
 PLEASE REVIEW THE INSTALLATION INSTRUCTIONS THAT ARE INCLUDED IN YOUR STEP ASSEMBLY FOR SPECIFIC DETAILS.

**SERVICE PARTS LIST**

ITEM	PART NO.	QTY	DESCRIPTION
<b>PARTS INCLUDED IN THE BRACKET PACKAGE</b>			
1	552021	4	BRKT- MTG, NISSAN NV, <b>MEGA STEPS</b>
1	552131	4	BRKT- MTG, NISSAN NV, <b>GRIP STEPS</b>
2	106997	4	SCREW- HEX HEAD CAP, 5/16_18 UNC X 1.00".SST,BZP
3	106998	8	WSHR-FL, 5/16, SST,BZP
4	106996	4	NUT-SERRATED FLANGE, 5/16-18,SST,BZP
5	100004	8	SCREW- HEX HEAD SELF TAPPING,1/4" X 3/4", ZP



(A LUVERNE Company)

1200 E. Birch St.

Brandon, SD 57005

SERVICE PARTS LIST

BRACKET NO. - 401161  
- 571161

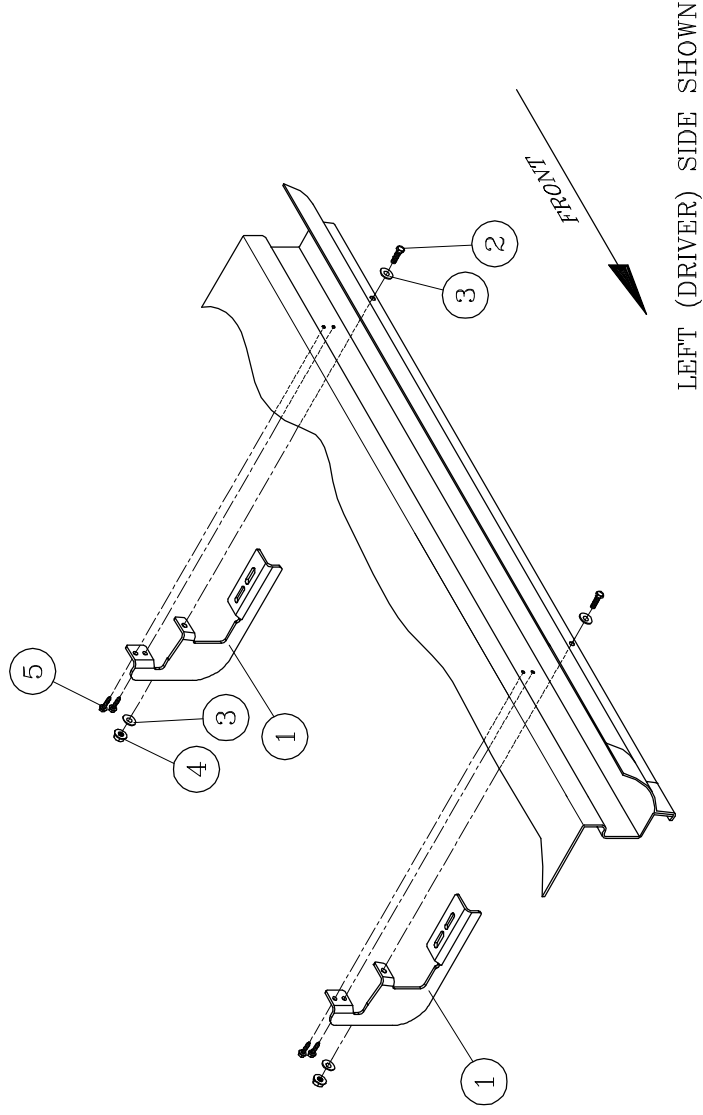


fig.2

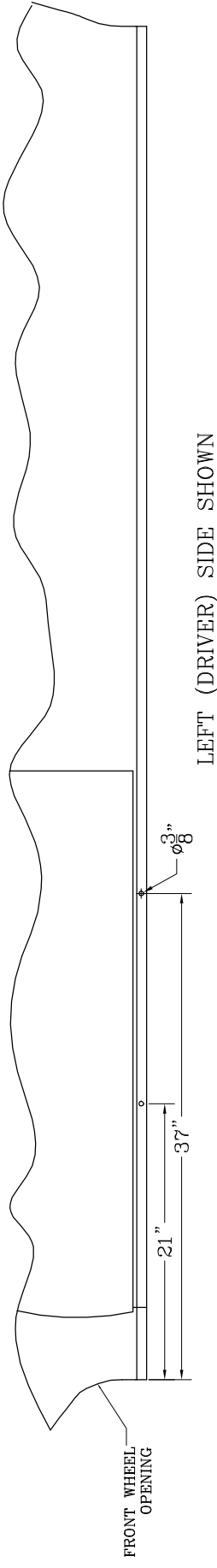


fig.1