

# INSTALLATION INSTRUCTIONS AND PARTS LIST

FOR MOUNTING 571134 MEGA STEP/OMEGA STEP BRACKETS ON:  
**2011 DODGE DURANGO/2011 JEEP GRAND CHEROKEE**



**PLEASE READ INSTRUCTIONS COMPLETELY BEFORE INSTALLING**

1. LOCATE AND REMOVE THE SECOND, FOURTH, AND SIXTH OBOURD BODY PLUGS FROM UNDER AND BEHIND THE PLASTIC GROUND EFFECTS. FIG.1
2. INSTALL THE T-BOLT (ITEM #3) UP INTO OBOURD HOLE AS SHOWN IN FIG.2
3. PLACE THE BRACKET (ITEM #2) UP AND OVER T-BOLT THREADS AND PLACE THE NUT (ITEM #7) ON FINGER TIGHT. THEN PUT (2) CARRIAGE BOLTS (ITEM #5) IN THE OBOURD HOLES IN THE BRACKET AND PINCH WELD AREA AND THEN NUT (ITEM #6). TIGHTEN ALL FASTENERS.
4. REPEAT STEPS 2 & 3 FOR EACH BRACKET ON BOTH DRIVER AND PASSENGER SIDE.
5. ATTACH THE STEPS (ITEMS #1) TO THE MOUNTING BRACKETS.
  - 5.1 INSERT [3] 5/16" SQUARE HEAD SCREWS (ITEM #8) ON THE UNDERSIDE OF EACH STEP IN THE CENTER SLOT OF THE MEGA BOARDS. THE BOARD WILL ALREADY HAVE (5) 5/16" SQUARE HEAD SCREWS IN THE INSIDE SLOT, AND (2) OF THEM YOU WILL NOT USE. SLIDE THEM TO THE END OF BOARD AND PLACE A NUT (ITEM #4) ON THEM. *(NOTE: O-MEGA STEP WILL NEED THREE SQUARE HEAD SCREWS IN BOTH CENTER SLOT AND INSIDE SLOT. REMOVE ONE END CAP TO INSERT SCREWS).*
  - 5.2 LOCATE THE STEP IN AND OUT AS DESIRED AND INSTALL THE 5/16" SERRATED FLANGE NUTS (ITEM #4) ON THE SQUARE HEAD SCREWS. TIGHTEN ALL THE NUTS.

## SERVICE PARTS LIST

ITEM	PART NO.	QTY	DESCRIPTION
1	575072	2	MEGA STEP BOARDS .72" (JEEP GRAND CHEROKEE)
1	585072	2	OMEGA STEP BOARDS. 72" (JEEP GRAND CHEROKEE)
1	575078	2	MEGA STEP BOARDS 78"- (DURANGO)
1	585078	2	O-MEGA STEP BOARDS 78" SATIN - (DURANGO)
1	586078	2	O-MEGA STEP BOARDS 78" BLACK - (DURANGO)
2	551932	6	BRACKET-MTG, MEGA STEP, 571134
3	551935	6	T-BOLT WELDMENT, ZP
4	102680	14	NUT-SERR FLG, 5/15-18, SST
5	104260	12	BLT-CRG, #10-24 X .75, SST
6	104261	12	NUT-SERR FLG, #10-24, SST
7	103737	6	NUT-SERR FLG, 7/16-14, ZP
8	106880	6	SCR-SQ HD, 5/16-18 X 1.00, MAGNIGRD



(A LIVERNE Company)

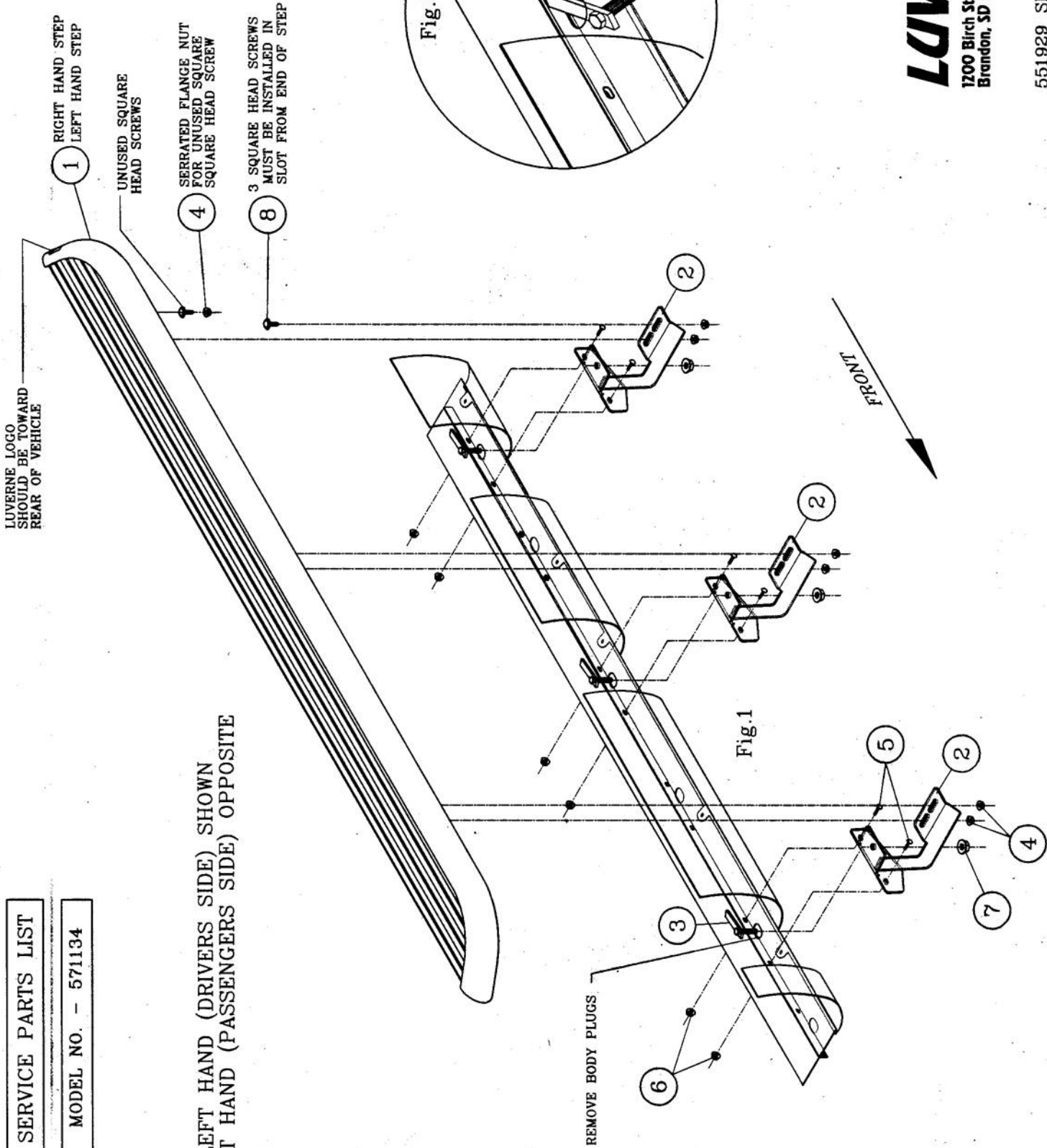
1200 E. Birch St.

Brandon, SD 57005

SERVICE PARTS LIST

MODEL NO. - 571134

LEFT HAND (DRIVERS SIDE) SHOWN  
RIGHT HAND (PASSENGERS SIDE) OPPOSITE



**LUVERNE**  
TRUCK EQUIPMENT  
INC.  
1200 Birch Street  
Brandon, SD 57005