

INSTALLATION INSTRUCTIONS AND PARTS LIST

FOR MOUNTING 570856 MEGA STEPS
2008-2011 TOYOTA HIGHLANDER

MEASURING AND CUTTING SPLASH PAN FOR BRACKET INSTALL

1. REMOVE THE SCREWS FROM THE OUTSIDE EDGE OF THE PLASTIC SPLASH PAN ON BOTH THE DRIVERS AND PASSENGERS SIDE. SO THAT THE SPLASH PAN HANGS DOWN ENOUGH TO MEASURE AND MARK FOR THE CUT OUTS THAT WILL HAVE TO BE MADE TO INSTALL BRACKETS.
2. FROM THE BACK EDGE OF THE SPLASH PAN MEASURE FORWARD 18.50 INCHES AND MAKE A VISIBLE MARK. FROM THAT MARK MEASURE 6.00 INCHES AND MAKE ANOTHER MARK, THIS WILL BE THE CUT OUT FOR THE MIDDLE BRACKET. FROM THE TWO MARKS MEASURE TOWARD THE CENTER OF SPLASH PAN 4.00 INCHES AND SQUARE OFF, THIS WILL GIVE YOU A 6.00 X 4.00 INCH CUT OUT. ON THE OUTSIDE CORNERS OF THE CUT OUT, DRILL (2) ¼" HOLES. **SEE FIG 3.**
3. FROM THE CUT OUT EDGE MEASURE AND MARK AT 14.00 INCHES AND THEN AGAIN AT 6.00. MARK THE 6.00 X 4.00 INCH CUT OUT JUST LIKE STEP 2. WITH A BOX CUTTER OR RAZOR KNIFE MAKE YOUR CUT OUTS CAREFULLY NOT TO CUT YOURSELF OR VEHICLE WIRES AND OR HOSES.
4. REPEAT STEPS 2 & 3 FOR PASSENGER SIDE.

INSTALLING INPULL NUT FOR BRACKET MOUNT

5. WHERE THE CUT OUTS IN THE SPLASH PAN HAVE BEEN MADE, UP ON THE INSIDE OF THE FRAME RAIL THERE WILL BE TWO PLASTIC BODY PLUGS THAT WILL NEED TO BE REMOVED TO INSTALL BRACKETS. AFTER YOU HAVE REMOVE BODY PLUGS INSTALL M10 X 1.50 INPULL NUTS (ITEM #5). BEND TAP DOWN AT 45 DEGREES, THEN SLIDE NUT INTO HOLE AND PULL TIGHT AGAINST TOP AND BOTTOM OF HOLE, FOLD TAP DOWN AGAINST BOTTOM OF THE FRAME RAIL WALL TO HOLD NUT INTO PLACE WHILE INSTALLING BRACKET. **SEE FIG 2.**
6. PLACE BRACKET UP TO HOLE AND INPULL NUT PLACE A M10 X 1.50 X 30MM SCREW AND WASHER (ITEMS #11&12) LEAVE FINGER TIGHT. DO THE SAME FOR THE CENTER BRACKET.

INSTALLING REAR AND ANGLE BRACKETS

7. INSTALL THE REAR BRACKET BY USING ¼" CLIPPED HEAD CARRIAGE BOLT (ITEM #13) SLIDE BOLT HEAD UP INTO OBROUND HOLE AFTER PLUG HAS BE REMOVED AND GIVE A ¼ TURN SO THE HEAD OF THE BOLT SITS ON THE OUTER LIP OF OBROUND HOLE. SLIDE BRACKET OVER BOLT AND USE LOCK WASHER AND NUT (ITEMS #7&8) LEAVE FINGER TIGHT. **SEE FIG 1.**



1200 E. Birch St.

Brandon, SD 57005

REVISION A 03MAY11
551927 SHEET 1 17NOV10

8. INSTALL THE ANGLE BRACKETS TO THE MAIN BRACKETS USING A 5/16" SCREW AND FLANGE NUT. (ITEM #13&10) AFTER ANGLE BRACKET IS ATTACHED TO MAIN BRACKET FINGER TIGHT, HOLD BRACKET UP TIGHT TO PINCH WELD SEAM MARK AND DRILL A 5/16" HOLE THROUGH PINCH WELD. PLACE A 1/4" SCREW (ITEM #14) THROUGH ANGLE BRACKET AND PINCH WELD SEAM. FASTEN WITH FLANGE NUT (ITEM #15). SEE FIG 1.
9. TIGHTEN ALL FASTENERS AND REINSTALL SPLASH PAN (*NOTE SPLASH PAN IN THE CENTER BRACKET LOCATIONS WILL HAVE TO BE CABLE TIED TO BRACKET THROUGH DRILLED 1/4" HOLES AND CENTER SQUARE HOLE IN BRACKET*). CABLE TIES SUPPLIED (ITEM #16).
10. ATTACH THE STEP (ITEM #1) TO THE MOUNTING BRACKETS.
 - 10.1 INSERT THREE [3] 5/16" SQUARE HEAD SCREWS (ITEM #9) IN THE CENTER SLOT ON THE UNDERSIDE OF THE STEP. (*NOTE: O-MEGA STEP WILL NEED THREE SQUARE HEAD SCREWS IN BOTH CENTER SLOT AND INSIDE SLOT. REMOVE ONE END CAP TO INSERT SCREWS*).
 - 10.2 POSITION THE STEP ON THE MOUNTING BRACKETS SO THAT THE SQUARE HEAD SCREWS ARE LOCATED IN THE CENTER TWO (2) SLOTS OF THE BRACKETS. (SEE FIG 1) CENTER THE STEP ON THE SUV FRONT TO BACK
 - 10.3 LOCATE THE STEP IN AND OUT AS DESIRED AND INSTALL THE 5/16" SERRATED FLANGE NUTS (ITEM #10) ON THE SQUARE HEAD SCREWS. TIGHTEN THE NUTS.



1200 E. Birch St. Brandon, SD 57005

REVISION A 03MAY11
551927 SHEET 2 17NOV10

INSTALLATION INSTRUCTIONS AND PARTS LIST

SERVICE PARTS LIST

ITEM	PART NO.	QTY	DESCRIPTION
1	575072	2	MEGA-STEP, BOARD, 72"
1	585072	2	O-MEGA STEP, BOARD, 72" SATIN
2	551923	4	BRACKET-MTG, FRONT, LH/RH,570856
3	551924	2	BRACKET- MTG, REAR, LH/RH, 570856
4	551925	6	BRACKET- MTG, ANGLE, LH/RH, 570856
5	101400	4	NUT-INPULL, M10 X 1.50,ZP
6	104936	2	BOLT-CRG, CLIPPED HD, 3/4 -10 X 2.00, ZP
7	101402	2	WASHER-LOCK,3/4, REG, ZP
8	104937	2	NUT-HEX, FIN, STL, 3/4-10, UNC, ZP
9	106880	12	SCREW-SQ HD, 5/16-18 X 1.00
10	102680	18	NUT-SERR, FLG, HX, SST, 5/16-18
11	101401	4	SCREW-HEX HD, M10 X 1.50 X 30MM,ZP
12	100081	4	WASHER-FLAT,7/16,ZP
13	104281	6	SCREW-HEX HD,STL,5/16-18 X .875,ZP
14	100006	6	SCREW-HEX HD,1/4-20 X 3/4,ZP
15	100012	6	NUT-HEX, FLOG, 14-20,ZP
16	100622	4	CABLE-TIE,NYL, 3/16 X 8.00



1200 E. Birch St.

Brandon, SD 57005

REVISION A 03MAY11
551927 SHEET 3 17NOV10

SERVICE PARTS LIST

BRACKET NO. - 570856

FIG. 3

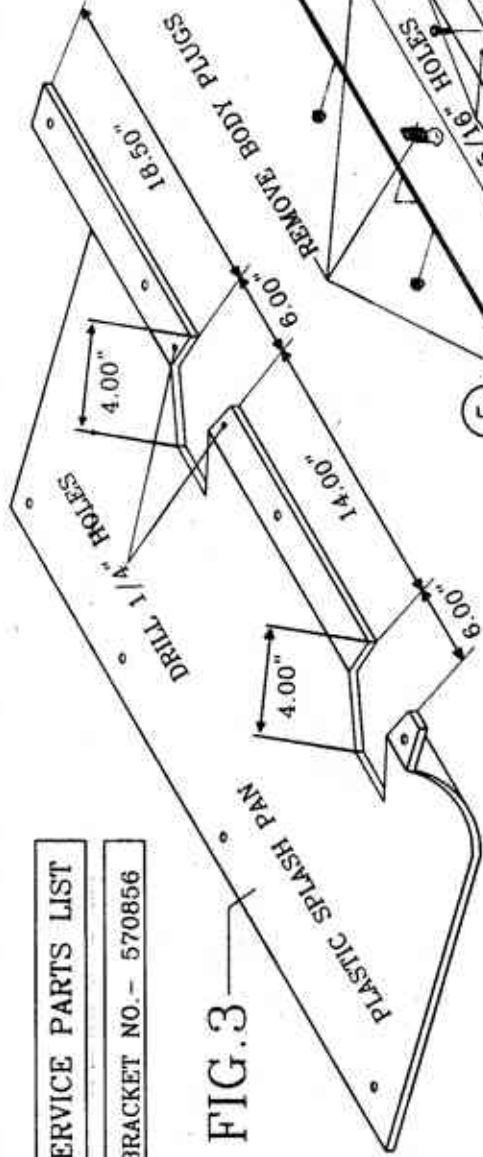


FIG. 1

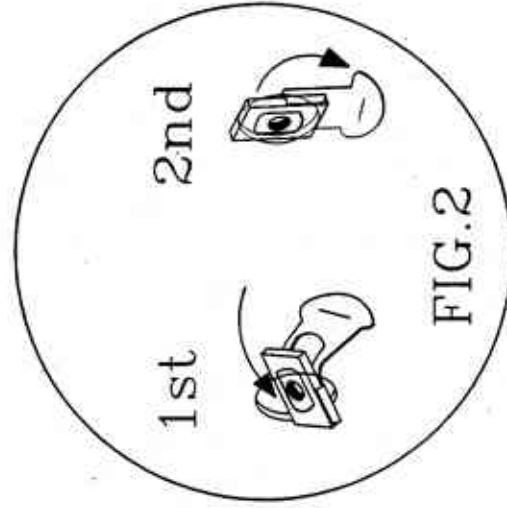
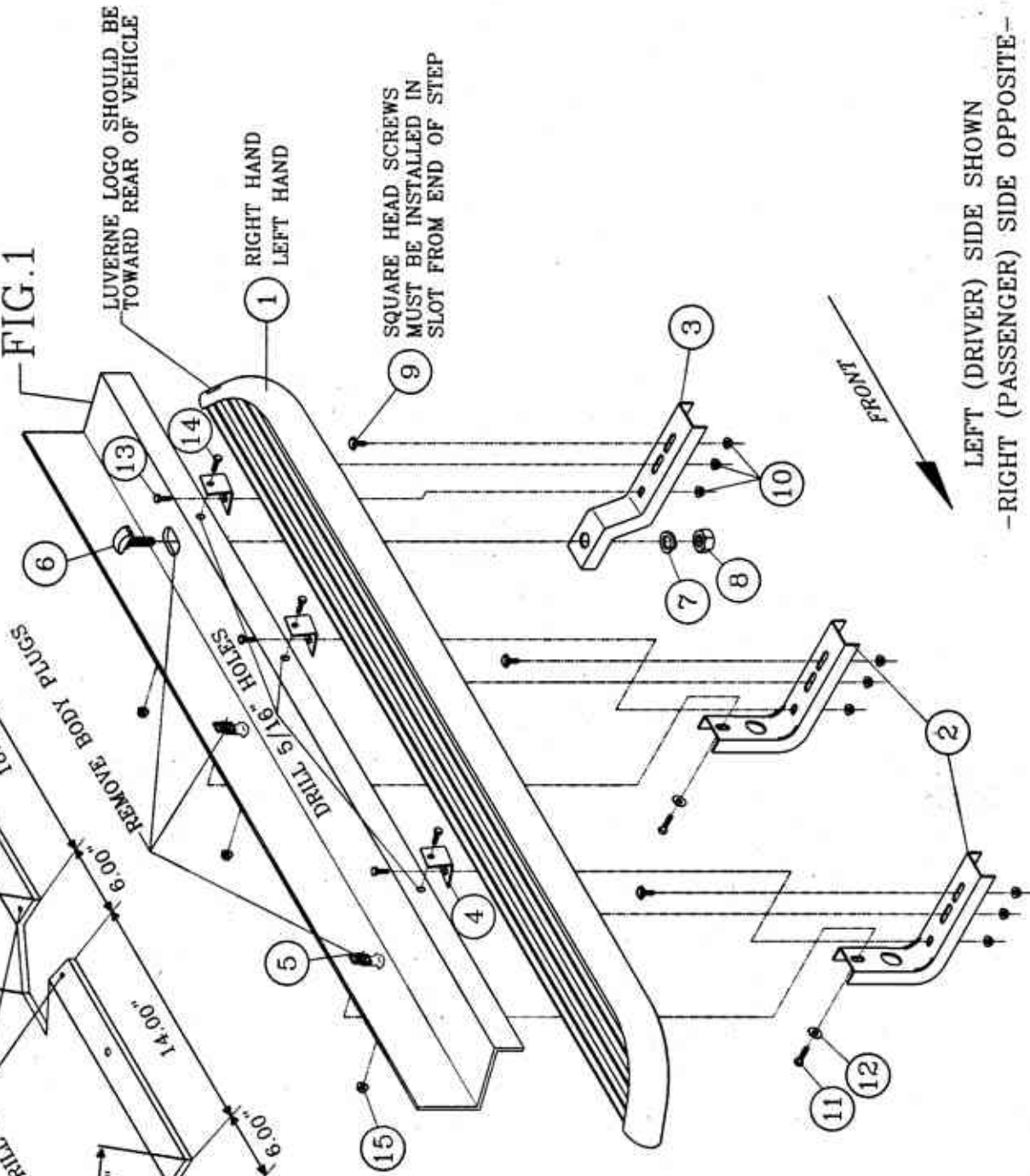


FIG. 2

LEFT (DRIVER) SIDE SHOWN
 -RIGHT (PASSENGER) SIDE OPPOSITE-

LUVERNE
 TRUCK
 EQUIPMENT
 INC.
 1700 Birch Street
 Brandon, SD 57005

REVISION A 03MAY11
 551927 SHEET 3 17NOV10