

INSTALLATION INSTRUCTIONS AND PARTS LIST

MODEL 570751 MEGA STEPS BRACKETS: 2007 TOYOTA TUNDRA REGULAR CAB PICKUPS



1. READ INSTRUCTIONS COMPLETELY AND CHECK TO MAKE SURE THAT ALL REQUIRED PARTS (LISTED ON SERVICE PARTS LIST) ARE ON HAND BEFORE STARTING THE INSTALLATION.
2. ATTACH THE MOUNTING BRACKETS TO THE VEHICLE USING EXISTING MOUNTING HOLES ON THE INTERIOR WALL OF THE ROCKER PANEL. NOTE: THE BRACKETS MUST BE PLACE IN THE PROPER POSITION, SEE FIG. 1.
 - 2.1. POSITION THE BRACKETS ON THE VEHICLE SO THAT BOTH HOLES LINE UP WITH THE THREADED INSERTS IN THE ROCKER PANEL ATTACH THE TOP OF THE BRACKET WITH A M8-1.25 X 25MM ZINC PLATED HEX HEAD CAP SCREW, 5/16" FLAT WASHER AND LOCK WASHER (ITEMS #6, #7 & #8). LEVEL THE BRACKETS AND TIGHTEN THE FASTENERS TO 19 LB FT.
3. ATTACH THE STEP (ITEM #1) TO THE MOUNTING BRACKETS.
 - 3.1. INSERT FOUR (2) 5/16" SQUARE HEAD SCREWS (ITEM #8) IN THE CENTER SLOT ON THE UNDER SIDE OF THE STEP.
 - 3.2. POSITION THE STEP ON THE MOUNTING BRACKETS SO THAT THE SQUARE HEAD SCREWS ARE LOCATED IN THE SLOTS OF THE MOUNTING BRACKETS AND THE STEP IS CENTERED, FRONT TO REAR, ON THE CAB.
 - 3.3. LOCATE THE STEP, IN AND OUT, AS DESIRED, INSTALL 5/16" SERRATED FLANGE NUTS (ITEM #7) ON THE SQUARE HEAD SCREWS AND TIGHTEN TO 19 LB FT.

SERVICE PARTS LIST

ITEM	PART NO.	QTY	DESCRIPTION
1	575060	2	MEGA STEP BOARD ASSEMBLY 60"
2	551362	2	BRKT- MTG, STEP, #1, TOYOTA TUNDRA
3	551363	2	BRKT- MTG, STEP, #2, TOYOTA TUNDRA
4	102549	8	SCREW-M8-1.25X25MM,ZP
5	100030	8	WHSR-LOCK, 5/16" ZP
6	100034	8	WHSR-FLAT, 5/16" ZP
7	102680	10	NUT-SERRATED FLANGE, HEX, SST, 5/16-18 UNC
8	106880	4	SCREW-SQUARE HEAD, 5/16-18 UNC

SERVICE PARTS LIST

MODEL NO. - 570751

LUVERNE LOGO SHOULD BE
TOWARD REAR OF VEHICLE

RIGHT HAND
LEFT HAND

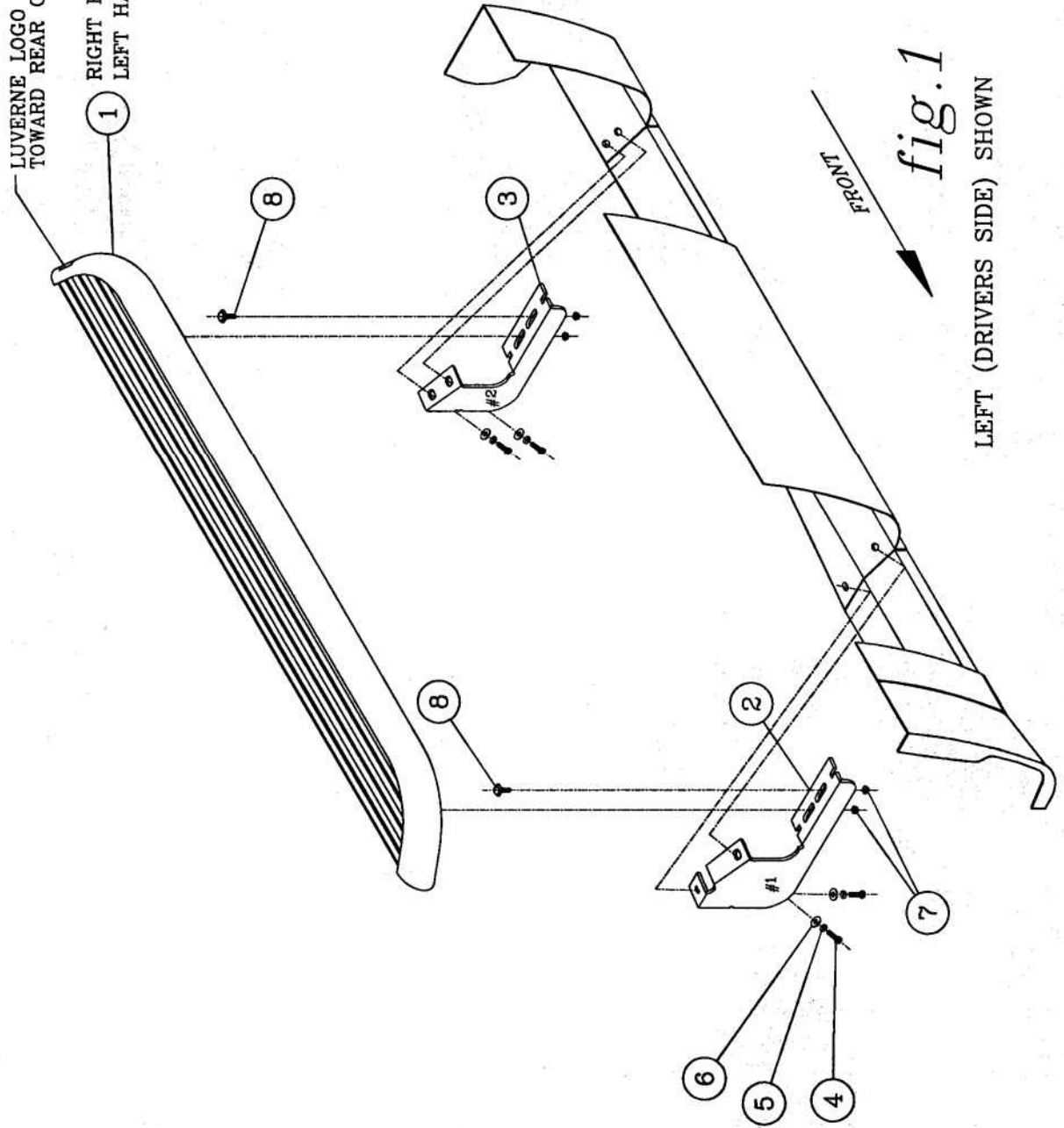


fig. 1

LEFT (DRIVERS SIDE) SHOWN

LUVERNE TRUCK
EQUIPMENT
INC.
1200 Birch Street
Brandon, SD 57005