

INSTALLATION INSTRUCTIONS AND PARTS LIST

FOR MOUNTING F9921, F9922 AND F9923 SST AND BLACK NERF BARS ON:
1999 & NEWER FORD SUPER DUTY REGULAR, EXTENDED AND CREW CAB PICKUPS

1. READ INSTRUCTIONS COMPLETELY AND CHECK TO MAKE SURE THAT ALL REQUIRED PARTS (LISTED ON SERVICE PARTS LIST) ARE ON HAND BEFORE STARTING THE INSTALLATION.
2. NERF BAR TUBE AND MOUNTING BRACKET ASSEMBLIES (ITEM #1 & 2) ARE PRE-ASSEMBLED TO MATCH THE VEHICLE MOUNTING LOCATIONS. IF ANY ADDITIONAL ADJUSTMENT SHOULD BE REQUIRED, THIS CAN BE ACCOMPLISHED BY LOOSENING THE PRE-TORQUED 1/2 IN. HEX HEAD BOLT THAT RETAINS THE FRONT AND REAR MOUNTING BRACKET TO THE NERF BAR.
 - 2.1 IF THE PRE-TORQUE ON THIS 1/2 IN. BOLT IS BROKEN, THE BOLT MUST BE RE-TORQUED TO 65 LB. FT.
3. EXISTING MOUNTING HOLE PATTERNS ARE LOCATED ON THE INTERIOR WALL OF THE ROCKER PANEL. THE FRONT AND REAR HOLE PATTERNS WILL BE USED FOR THIS INSTALLATION AS FOLLOWS.
 - 3.1 ON THE FRONT MOUNTING PATTERN, INSERT ONE 5/16 MULTI THREAD U-NUT (ITEM #6) INTO THE TOP REAR HOLE SO THAT THE THREADS ARE TO THE INSIDE OF THE ROCKER PANEL. (THIS IS DONE BY INSERTING THE THREADED HALF OF THE U-NUT THRU THE .75 X 1.50 RECTANGULAR SLOT AND SLIDING THE U-NUT TOWARDS THE REAR UNTILL THE NUT SEATS IN THE ROUND HOLE).
 - 3.2 ON THE REAR MOUNTING HOLE PATTERN, INSERT 5/16 MULTI THREAD U-NUTS INTO BOTH THE TOP FRONT AND TOP REAR HOLES SO THAT THE THREADS ARE TO THE INSIDE OF THE ROCKER PANEL.
4. POSITION THE NERF BAR/BACKET ASSEMBLY UP UNDER THE ROCKER PANEL SO THAT THE HOLES IN THE MOUNTING BRACKETS LINE UP WITH THE MOUNTING HOLES IN THE PINCH WELD. INSTALL 5/16-18 X 3/4" CARRIAGE BOLTS (ITEM #3) AND 5/16-18 SERRATED FLANGE NUTS ITEM #5). (LEAVE THESE FASTENERS FINGER TIGHT AT THIS TIME).
5. ON THE TOP HOLE OF THE FRONT BRACKET, LOCATE A 1/2" FLAT WASHER (ITEM #8) BETWEEN THE MOUNTING BRACKET AND THE U-NUT INSTALL PER INSTRUCTION 3.1. NEXT, INSTALL A 5/16-18 X 1.00" HEX HEAD CAP SCREW (ITEM #4) WITH A 5/16" FLAT WASHER (ITEM #7) THRU THE MOUNTING BRACKET AND 1/2" FLAT WASHER AND INTO THE U-NUT.
6. ON THE TOP HOLES OF THE REAR BRACKET, INSTALL 5/16-18 X 1.00" HEX HEAD CAP SCREWS WITH 5/16" FLAT WASHER THRU THE MOUNTING BRACKET AND INTO THE U-NUT.

NOTE: TORQUE ALL 5/16" MOUNTING HARDWARE TO 11 LB. FT.

ITEM	PART NO.	QTY	DESCRIPTION
1	548854	1	NERF BAR/BRKT ASSY- LH, SST, REG CAB, F9921SST
2	548855	1	NERF BAR/BRKT ASSY- RH, SST, REG CAB, F9921SST
1	548869	1	NERF BAR/BRKT ASSY- LH, BLACK, REG CAB, F9921TB
2	548870	1	NERF BAR/BRKT ASSY- RH, BLACK, REG CAB, F9921TB
1	548879	1	NERF BAR/BRKT ASSY- LH, SST, EXT CAB, F9922SST
2	548880	1	NERF BAR/BRKT ASSY- RH, SST, EXT CAB, F9922SST
1	548894	1	NERF BAR/BRKT ASSY- LH, BLACK, EXT CAB, F9922TB
2	548895	1	NERF BAR/BRKT ASSY- RH, BLACK, EXT CAB, F9922TB
1	548904	1	NERF BAR/BRKT ASSY- LH, SST, CREW CAB, F9923SST
2	548905	1	NERF BAR/BRKT ASSY- RH, SST, CREW CAB, F9923SST
1	548919	1	NERF BAR/BRKT ASSY- LH, BLACK, CREW CAB, F9923TB
2	548920	1	NERF BAR/BRKT ASSY- RH, BLACK, CREW CAB, F9923TB
3	104262	8	BOLT-CARRIAGE, SST, 5/16-18 X 3/4" LG
4	100647	6	SCREW-HEX HD, 5/16-18 X 1.00" LG, ZP
5	102680	8	NUT-SERRATED FLANGE, HEX, SST, 5/16-18
6	104264	6	NUT-U, MULTI THREAD, 5/16-18, STL, BLACK
7	100034	6	WASHER-FLAT, 5/16, ZP
8	100118	2	WASHER-FLAT, 1/2", ZP

LUIVERNE
TRUCK
EQUIPMENT
INC.
1200 Birch Street
Brandon, SD 57005

REV. APR 98
548853 SHEET 2 MAR 98

SERVICE PARTS LIST

MODEL NO.	- F9921SST & TB
	- F9922SST & TB
	- F9923SST & TB

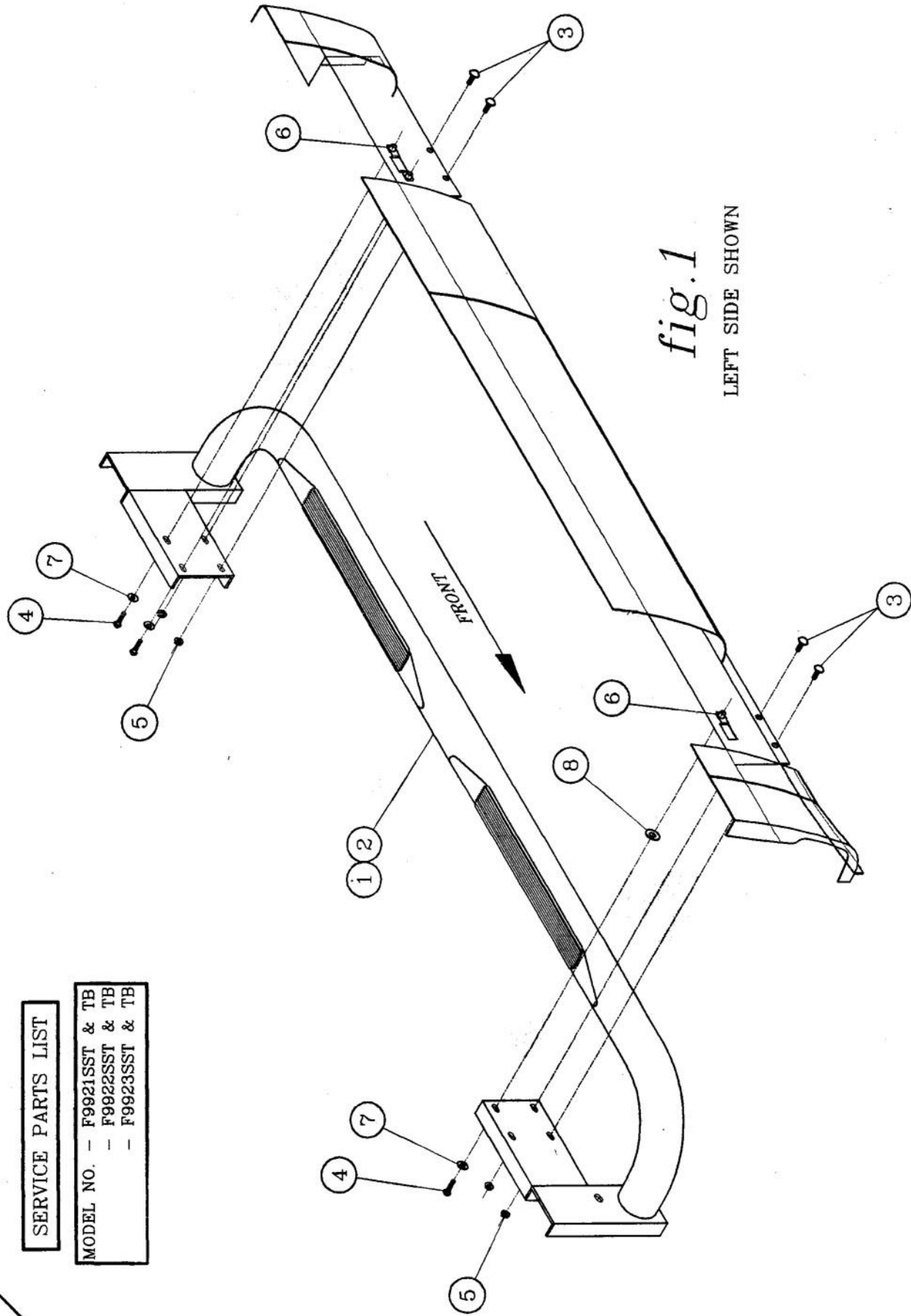


fig. 1

LEFT SIDE SHOWN