

INSTALLATION INSTRUCTIONS AND PARTS LIST

STAINLESS STEEL AND BLACK NERF BARS:
45/461035 2010 AND NEWER DODGE RAM HD MEGA CAB
45/461033 2010 AND NEWER DODGE RAM HD CREW CAB



NO DRILL INSTALLATION

1. READ INSTRUCTIONS COMPLETELY AND CHECK TO MAKE SURE THAT ALL REQUIRED PARTS (LISTED ON SERVICE PARTS LIST) ARE ON HAND BEFORE STARTING THE INSTALLATION.
2. NERF BAR TUBE AND MOUNTING BRACKET ASSEMBLIES ARE PRE-ASSEMBLED.
 - 2.1. THE FRONT AND REAR MOUNTING BRACKETS ON THESE ASSEMBLIES ARE ROTATED INBOARD OF THE LEGS FOR SHIPPING PURPOSES. THESE BRACKETS MUST BE ROTATED TO THE VERTICAL POSITION AND THE 1/2" BOLTS MUST BE TORQUED TO 65 LB FT.
3. ASSEMBLE THE DOUBLE ENDED STUD & FASTENERS TO THE FRONT & REAR BRACES AS FOLLOWS: **(NOTE THAT THE LONGER BOLT WILL BE ATTACHED TO THE FRONT BRACKET).**
 - 3.1. INSTALL 3/8" SERRATED FLANGE NUTS (ITEM #12) **BACKWARDS**, TO THE END OF THE THREAD, ON EACH END OF THE DOUBLE ENDED STUD (ITEM #10 & #14).
 - 3.2. ON THE SHORT THREADED END OF THE STUD, INSTALL A 3/8" FLAT WASHER (ITEM #13). THEN, PUSH THE 3/4" THICK RUBBER WASHER (ITEM #11) & FLAT WASHER TIGHT UP AGAINST THE SERRATED FLANGE NUT. (THE END OF THE DOUBLE ENDED STUD SHOULD BE RECESSED BACK IN THE HOLE OF THE RUBBER WASHER APPROXIMATELY 3/16").
 - 3.3. INSTALL THE LONG THREADED END OF THE STUD ASSEMBLY THRU THE HOLE IN THE MOUNTING BRACKET (JUST ABOVE THE NERF BAR TUBE) AND INSTALL A 3/8" SERRATED FLANGE NUT AS SHOWN. (FINGER TIGHT ONLY).
4. REMOVE THE FOUR (4) APPLICABLE M12-1.75 BODY MOUNT BOLTS FROM THE VEHICLE. **(THE FRONT BOLTS AND WASHERS ARE NOT REUSED).**
5. POSITION THE NERF BAR ASSEMBLY UP UNDER THE BODY MOUNT METAL BUSHING:
 - 5.1. ON THE FRONT BODY MOUNTS, INSTALL M12-1.75 X 110mm (APPROX. 4-3/8" LONG) HEX HEAD BOLTS (ITEM #7), 1/2" LOCK WASHERS (ITEM #8) AND 1/2" FLAT WASHERS (ITEM #9) UP THRU THE HOLE IN THE NERF BAR MOUNTING BRACKET AND THE BODY MOUNTING BUSHING AS SHOWN.
 - 5.2. ON THE REAR BODY MOUNT INSTALL THE FACTORY BOLT AND WASHER THRU THE HOLE IN THE NERF BAR MOUNTING BRACKET AND BODY MOUNT BUSHING AS SHOWN.
 - 5.3. TORQUE ALL M12-1.75 BODY MOUNTING BOLTS TO 45 LB. FT.
 - 5.4. POSITION THE STUD ASSEMBLIES SO THAT THE RUBBER WASHER IS SNUG UP AGAINST THE FRAME. TIGHTEN THE 3/8" SERRATED FLANGE NUTS ON EITHER SIDE OF THE REAR BRACKET TO LOCK THE STUD ASSEMBLY IN POSITION.



1200 E. Birch St.

Brandon, SD 57005

REV B 16APR10
REV A 05JAN10
551487 SHEET 1 OF 3 07DEC09

INSTALLATION INSTRUCTIONS AND PARTS LIST

STAINLESS STEEL AND BLACK NERF BARS:
45/461035 2010 AND NEWER DODGE RAM HD MEGA CAB
45/461033 2010 AND NEWER DODGE RAM HD CREW CAB



NO DRILL INSTALLATION

SERVICE PARTS LIST

ITEM	PART NO.	QTY	DESCRIPTION
1	551472	1	NERF BAR WELDMENT - LH, SST,461033 CREW
2	551473	1	NERF BAR WELDMENT - RH, SST,461033 CREW
1	551474	1	NERF BAR WELDMENT - LH, BLK,451033 CREW
2	551475	1	NERF BAR WELDMENT - RH, BLK,451033 CREW
1	550367	1	NERF BAR WELDMENT -LH,BLK,451035 MEGA
2	550368	1	NERF BAR WELDMENT - RH,BLK,451035 MEGA
1	550365	1	NERF BAR WELDMENT - LH,SST,461035 MEGA
2	550366	1	NERF BAR WELDMENT - RH,SST,4661035 MEGA
3	551468	2	MOUNTING BRACKET FRONT, LH/RH
4	550308	1	MOUNTING BRACKET REAR, LH
5	550309	1	MOUNTING BRACKET REAR, RH
6	104249	4	SCREW-HEX HEAD, SER FLNG,1/2-13 X 2.0, ZP
7	103444	2	BOLT-HEX HD CAP,M12-1.75 X 110mm(4-3/8"),ZP
8	100121	2	WASHER-LOCK,1/2",ZP
9	100118	2	WASHER-FLAT,1/2",ZP
10	108448	2	STUD-DOUBLE ENDED,STL,3/8-16 UNC X 6.00",ZP
11	102592	4	WASHER-RUBBER,.354 ID X 1.00 OD X .75 THK
12	100181	12	NUT-SERRATED FLANGE,HEX,3/8-16 UNC,ZP
13	100062	4	WASHER-FLAT,3/8",ZP
14	104687	2	STUD-DOUBLE ENDED,STL,3/8-16 UNC X 7.00",ZP

LIVERNE
TRUCK EQUIPMENT

(A LIVERNE Company)

1200 E. Birch St.

Brandon, SD 57005

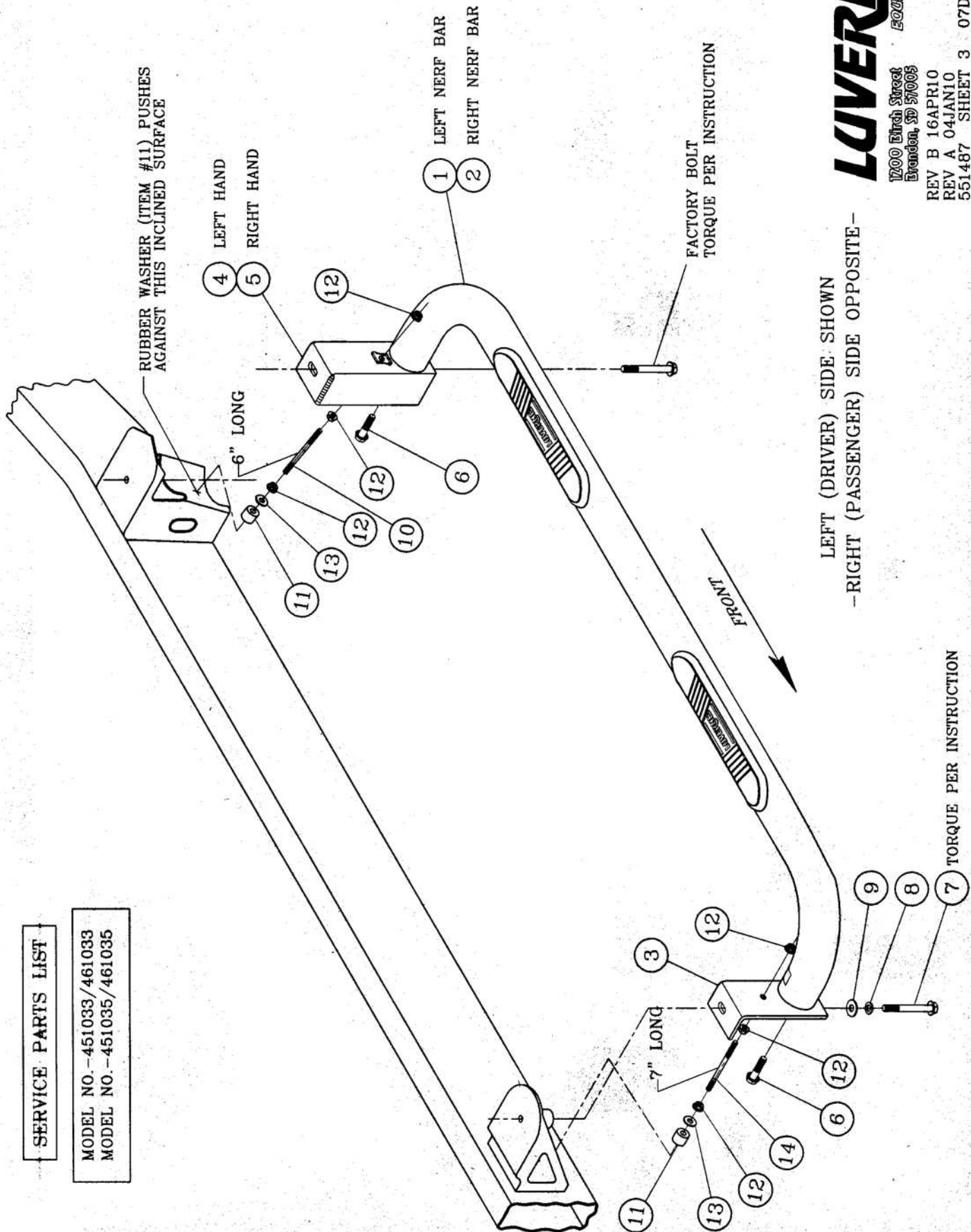
REV B 16APR10

REV A 05JAN10

551487 SHEET 2 OF 3 07DEC09

SERVICE PARTS LIST

MODEL NO. -451033/461033
 MODEL NO. -451035/461035



LEFT (DRIVER) SIDE SHOWN
 -RIGHT (PASSENGER) SIDE OPPOSITE-

LIVERNE
 TRUCK
 EQUIPMENT
 INC

1700 Birch Street
 Brandon, SD 57005

REV B 16APR10

REV A 04JAN10

551487 SHEET 3 07DEC09