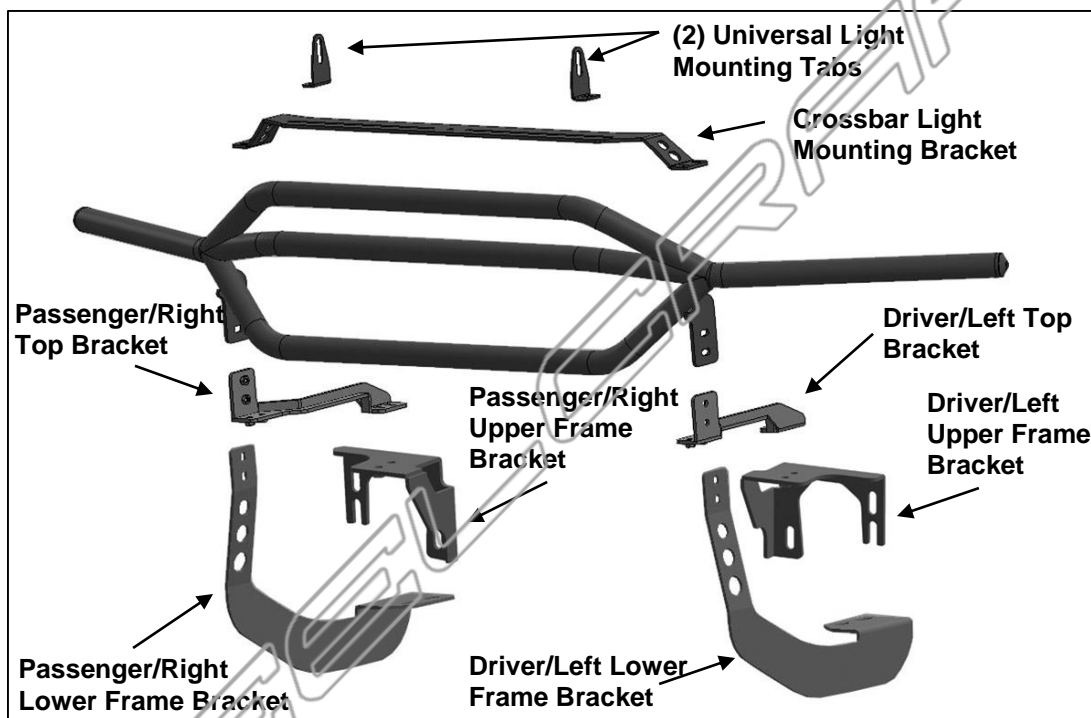


PARTS LIST:

Qty	Description	Qty	Description
1	EVO3 Front Light Bar	1	Driver/left Top Bracket
1	Crossbar Light Mounting Bracket	1	Passenger/right Top Bracket
2	Universal Light Tab	14	8-1.25mm x 30mm Hex Bolt
1	Driver/left Upper Frame Bracket	16	8mm x 22mm OD x 2mm Flat Washer
1	Passenger/right Upper Frame Bracket	12	8mm Lock Washer
1	Driver/left Lower Frame Bracket	2	8-1.25mm Nylon Lock Nut
1	Passenger/right Lower Frame Bracket		



PROCEDURE:

- 1. REMOVE CONTENTS FROM BOX. VERIFY ALL PARTS ARE PRESENT. READ INSTRUCTIONS CAREFULLY BEFORE STARTING INSTALLATION. MAY INTERFERE WITH FRONT MOUNTED SENSORS AND "ACTIVE" LASER GUIDED CRUISE CONTROL SYSTEMS. CUTTING MAY BE REQUIRED.**
- Start installation at the front of the vehicle.
 - 07-13 Tundra models:** Open the hood. Upper Frame Brackets can either be installed from above, **(Figure 1)**, or below, **(Figure 4)**, the front bumper depending on model, accessories and year
 - 2014 Tundra models:** Upper Frame Brackets must be installed from below front bumper, **(Figure 2—4)**.
- Locate the passenger side bumper bracket bolted to the end of the frame. **NOTE:** To access the end of the frame from below, first remove the hardware attaching the bumper cover to the cross member, **(Figure 2)**.
- Remove the top (2) factory hex nuts on the outside and the single hex nut on the inside attaching the factory bumper bracket to the end of the frame, **(Figures 3, 4 & 6)**.
- Select the passenger side Upper Frame Bracket, **(Figure 5)**. Slide the U-shaped Bracket over the top of the bumper bracket, down and over the (3) threaded studs, **(Figure 6)**. If installing from below, carefully pull the bottom of the bumper cover outward only enough to slide the

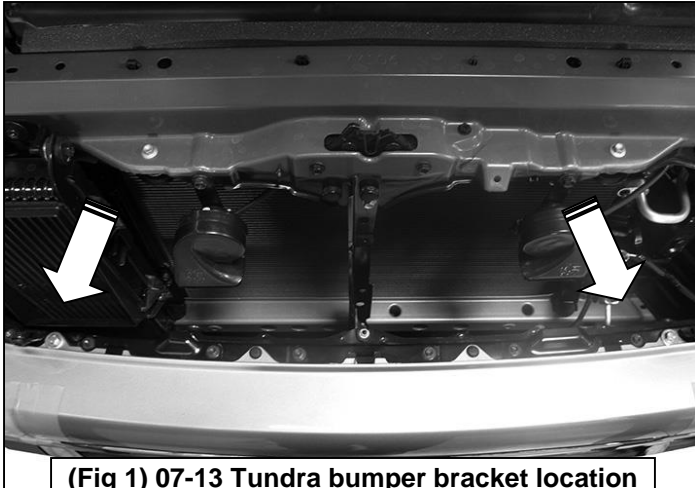
EVO3 LIGHT BAR
07-14 TOYOTA TUNDRA, 08-14 SEQUOIA

Bracket up and in position. Use the factory hex nuts to attach the Upper Bracket to the bumper bracket, **(Figure 7)**. Snug but do not fully tighten the (3) hex nuts at this time.

6. Repeat **Steps 3—5** to install the driver side Upper Frame Bracket. **IMPORTANT:** Installation will require removal or cutting of plastic air deflector, (if equipped), attached to the back of the lower grille, **(Figures 8 & 9)**. **NOTE:** Depending on year and model, it may be necessary or easier to remove bumper cover to remove the air deflector from back of the grille insert.
7. Select the passenger side Top Bracket, **(Figure 10)**. Slide the Top Bracket in through the opening in the bumper. Line up the (2) inner holes in the Bracket with the threaded holes in the top of the Upper Frame Bracket, **(Figure 11)**. Bolt the Top Bracket to the top of the Upper Frame Bracket with (2) 8mm Hex Bolts, (2) 8mm Lock Washers and (2) 8mm Flat Washers. Leave hardware loose at this time.
8. Repeat **Step 7** to install the driver side Top Bracket.
9. Move to below the front bumper. Remove the (2) factory tow hooks and set aside, **(Figure 12)**. Select the passenger side Lower Frame Bracket, **(Figure 13)**. Line up the holes in the tow hook with the slots in the Bracket. Bolt the tow hook and Bracket to the bottom of the frame using the factory tow hook bolts, **(Figure 14)**.
10. Repeat **Step 9** to install the driver/left side Frame Mounting Bracket. Leave hardware loose.
11. Carefully unwrap the EVO3 Light Bar. With assistance, hold the Light Bar in place above the Brackets. Slide the passenger side mounting tab on the Light Bar between the Top Bracket and the Lower Frame Bracket, **(Figure 15)**. Insert (2) 8mm Hex Bolts with (2) 8mm Lock Washers and (2) 8mm Flat Washers through the Frame Mounting Bracket, the Light Bar and into the threaded holes in the Top Bracket, **(Figure 16)**. Leave hardware loose at this time. Repeat this Step to attach the driver side of the Light Bar to the Mounting Brackets. Leave hardware loose at this time.
12. Next, select the long Crossbar Light Bracket, **(Figure 17)**. Attach the Light Bracket to the threaded holes in both Top brackets with (4) 8mm Hex Bolts, (4) 8mm Lock Washers and (4) 8mm Flat Washers, **(Figures 18 & 19)**.
13. Align and adjust the Light Bar to the front of the vehicle and tighten the tow hook hardware first. Next, check the Top Brackets for clearance between the Brackets and the bumper opening. Slide the Upper Frame Brackets up or down as necessary and once adjusted, tighten the factory hex nuts on the bumper bracket.
14. Next, make sure the Light Bar is level and centered and tighten all 8mm hardware to 18-20ft-lbs. Reattach the bottom of the bumper cover with the factory hardware, **(Figure 2)**.
15. Do periodic inspections to the installation to make sure that all hardware is secure and tight.
16. If installing an accessory light at this time, select the (2) "L" Universal Light Brackets, **(Figures 17 & 18)**. Replace the brackets included with the light with the (2) Universal Brackets. Attach the Brackets to the long slot in either side of the Light Bar Mounting Bracket with the included (2) 8mm Hex Bolts, (4) 8mm Flat Washers and (2) 8mm Nylon Lock Nuts.
17. Follow the instructions provided by the light manufacturer to attach the light to the (2) Brackets and to install the electrical wiring. Once adjusted, tighten the supplied 8mm hardware to 18-20ft-lbs.
18. Do periodic inspections to the installation to make sure that all hardware is secure and tight.

To protect your investment, wax this product after installing. Regular waxing is recommended to add a protective layer over the finish. Do not use any type of polish or wax that may contain abrasives that could damage the finish. Use only mild soap to clean the EVO3 Light Bar.

Passenger Side Installation Pictured

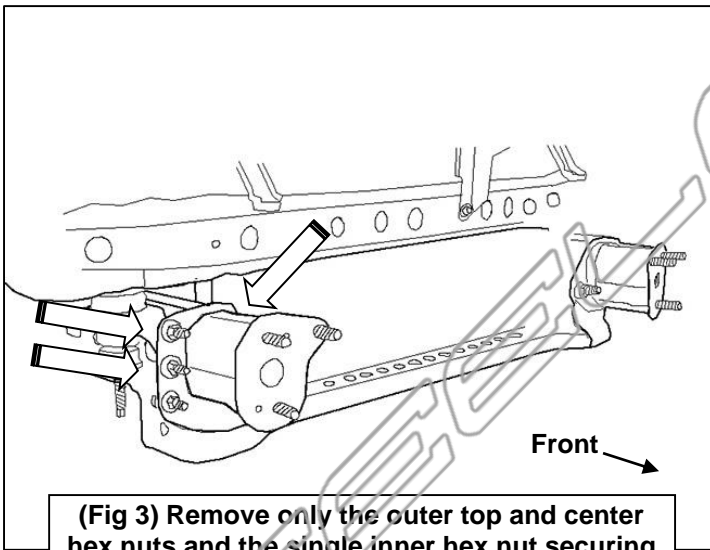


(Fig 1) 07-13 Tundra bumper bracket location pictured from above with hood open

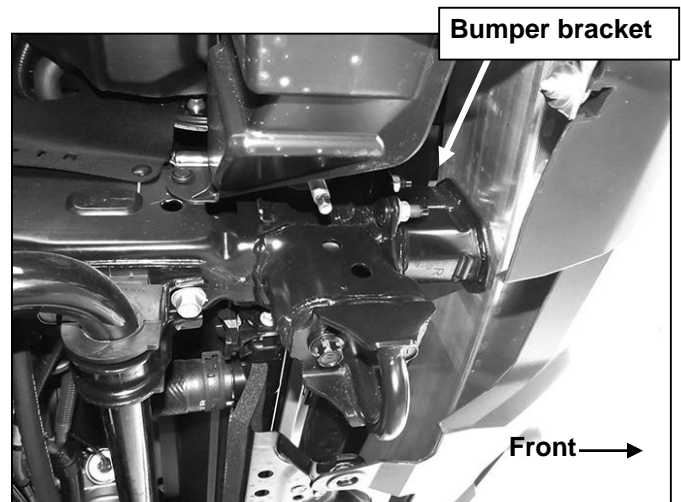
Remove hardware securing bottom of bumper cover to cross member



Fig 2

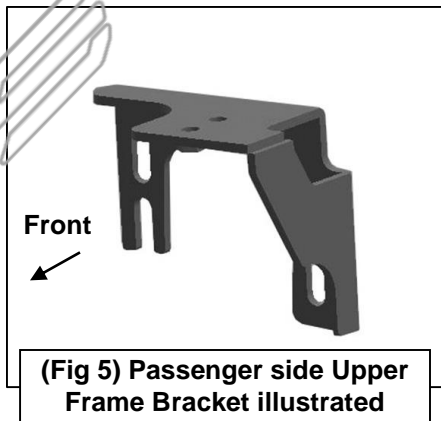


(Fig 3) Remove only the outer top and center hex nuts and the single inner hex nut securing the bumper bracket to the end of the frame



Bumper bracket

(Fig 4) 2014 passenger side pictured from below



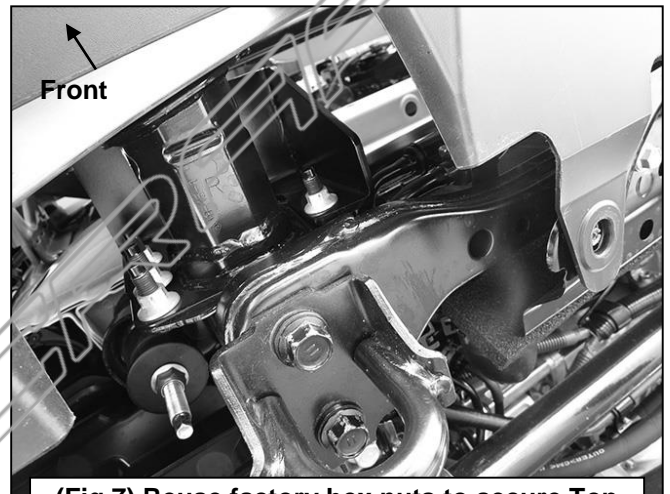
(Fig 5) Passenger side Upper Frame Bracket illustrated

Remove the top and center factory hex nuts on outside of bumper bracket



Remove (1) factory hex nut on inside of bracket

(Fig 6) Passenger side Upper Frame Bracket installed over bumper bracket. Pictured from below



(Fig 7) Reuse factory hex nuts to secure Top Bracket to end of frame. Remove tow hooks



(Fig 8) Remove or cut air deflector from behind lower grille opening in bumper

Attach Top Bracket to Upper Frame Bracket with:
 (2) 8mm Hex Bolts
 (2) 8mm Lock Washers
 (2) 5mm Flat Washers

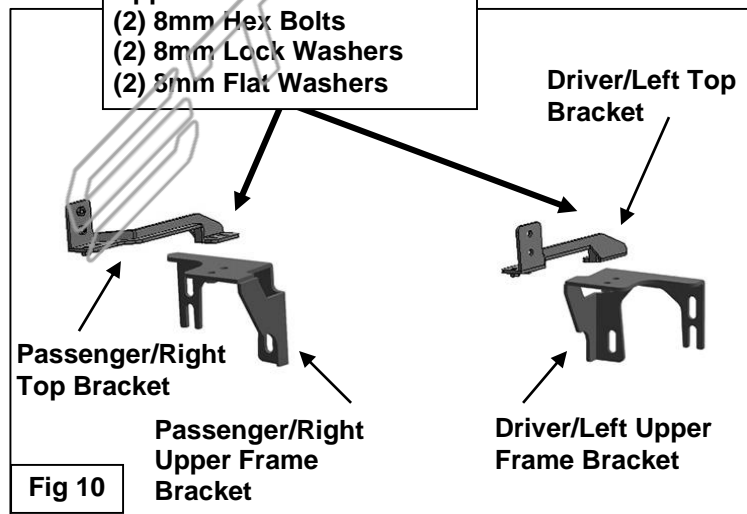
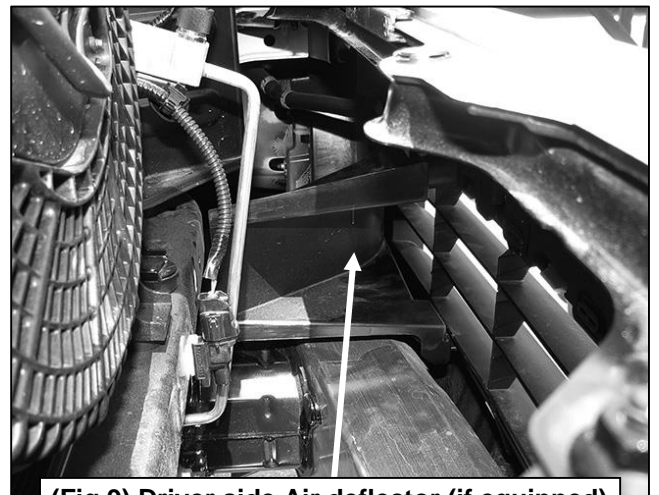
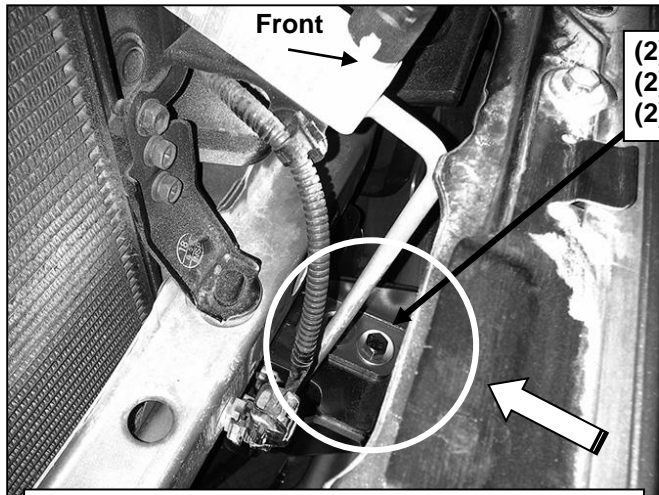


Fig 10

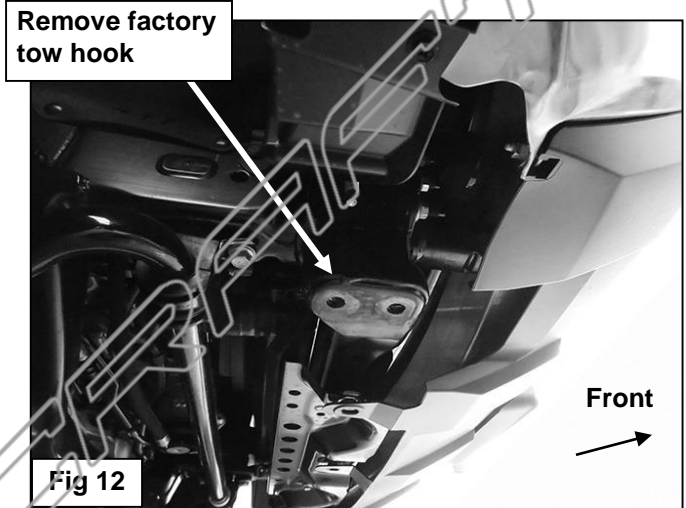


(Fig 9) Driver side Air deflector (if equipped) pictured from behind bumper. Note: Not included on all models



- (2) 8mm Hex Bolts
- (2) 8mm Lock Washers
- (2) 8mm Flat Washers

(Fig 11) Driver side 07-13 pictured from above



Remove factory
tow hook

Fig 12

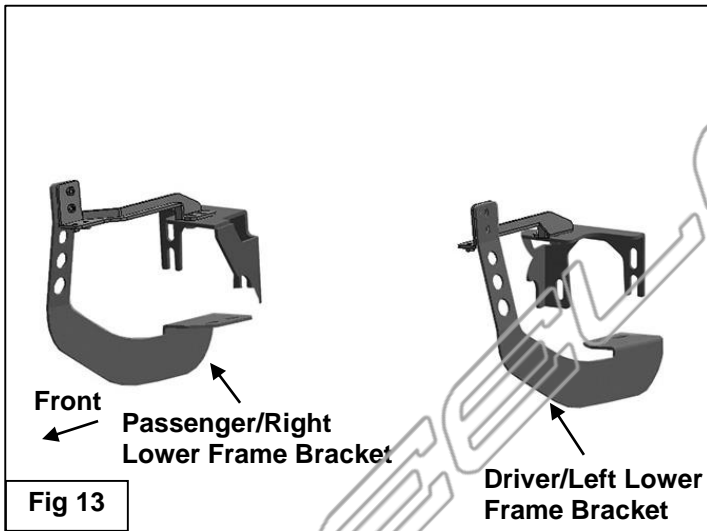
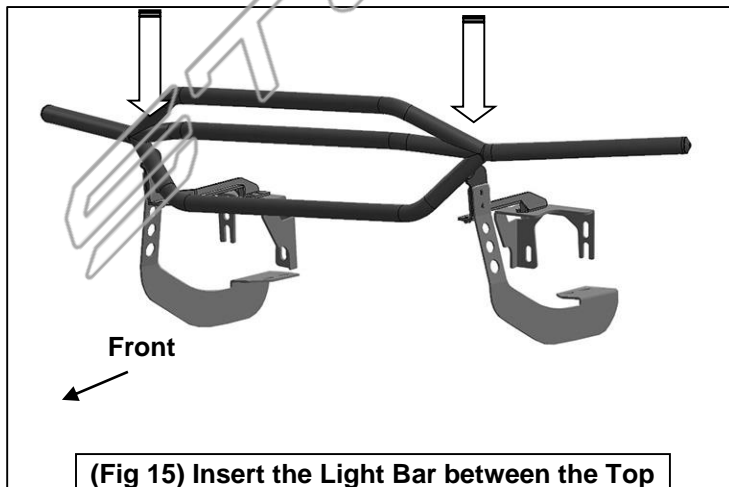


Fig 13



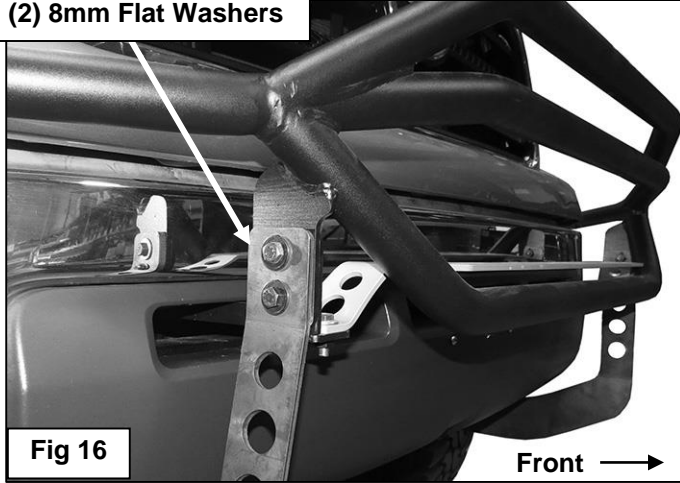
(Fig 15) Insert the Light Bar between the Top
Brackets and the Lower Frame Brackets



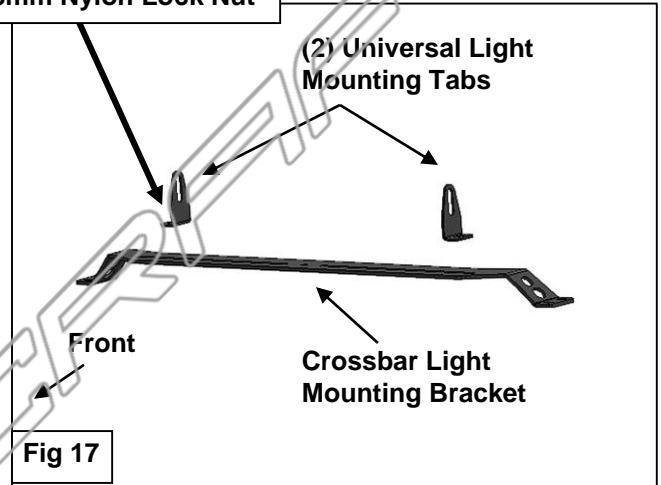
(Fig 14) Line up the Lower Frame Bracket
between the tow hook mounting location
and the tow hook. Use the factory bolts to
reinstall the tow hook over the Bracket

Passenger side installation pictured

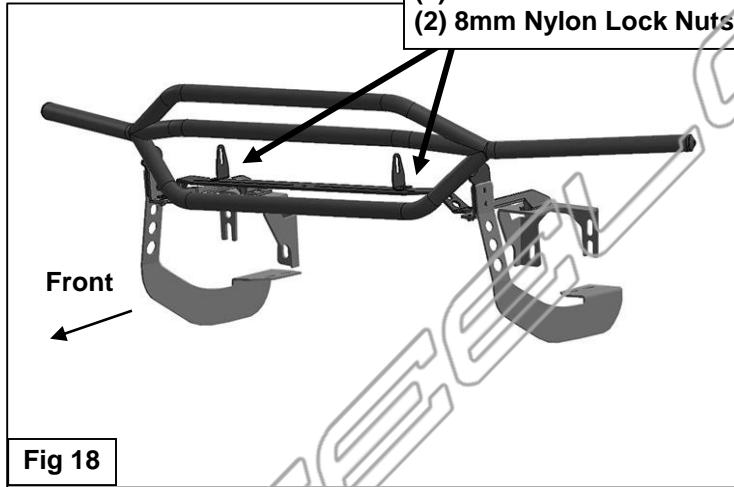
- (2) 8mm Hex Bolts
- (2) 8mm Lock Washers
- (2) 8mm Flat Washers



- 8mm Hex Bolt
- (2) 8mm Flat Washers
- 8mm Nylon Lock Nut



- (2) 8mm Hex Bolts
- (4) 8mm Flat Washers
- (2) 8mm Nylon Lock Nuts



- (2) 8mm Hex Bolts
- (2) 8mm Lock Washers
- (2) 8mm Flat Washers

