

**12303****87-93 MAZDA PICKUP**

12/7/2012

GROSS LOAD CAPACITY WHEN USED AS A WEIGHT CARRYING HITCH: 3,500 LBS. TRAILER WEIGHT &amp; 300 LBS. TONGUE WEIGHT.

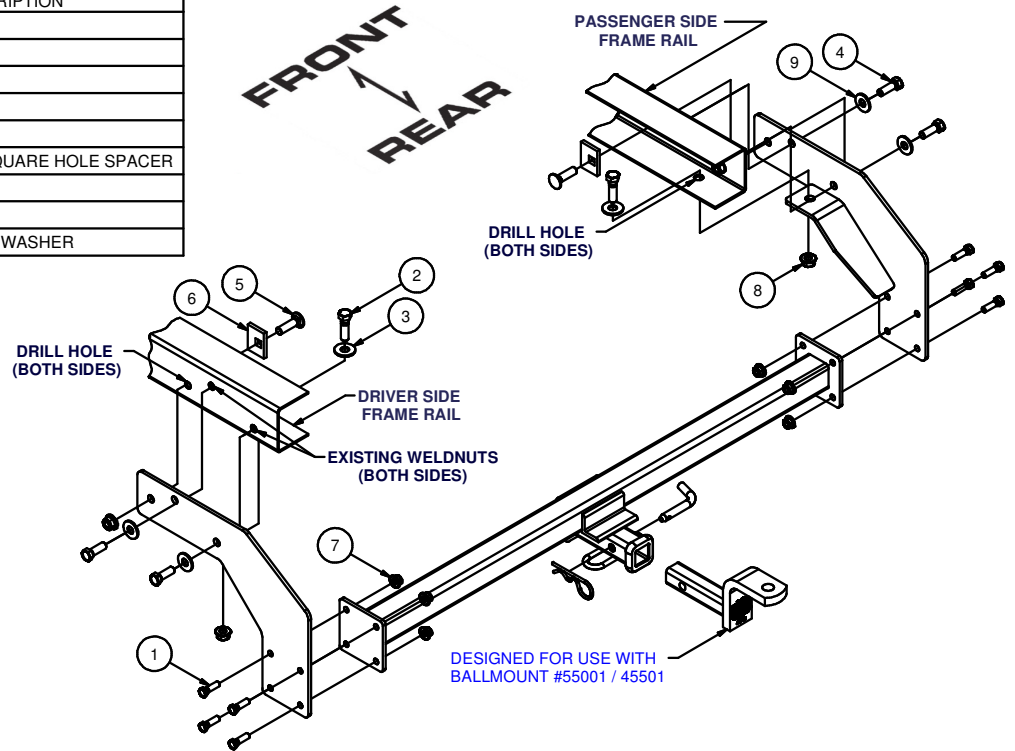
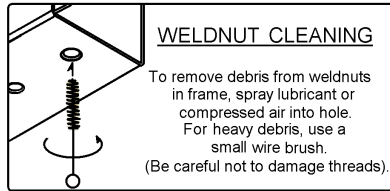
**\*\*\*DO NOT EXCEED VEHICLE MANUFACTURER'S RECOMMENDED TOWING CAPACITY.\*\*\***

WARNING: ALL NON-TRAILER LOADS APPLIED TO THIS PRODUCT MUST BE SUPPORTED BY 18050 STABILIZING STRAPS.

**\*\* FAILURE TO PROPERLY SUPPORT NON-TRAILER LOADS WILL VOID PRODUCT WARRANTY\*\***

HAVING INSTALLATION QUESTIONS? CALL TECHNICAL SUPPORT AT 1-800-798-0813

Parts List			
ITEM	QTY	PART NUMBER	DESCRIPTION
1	8	3/8 - 16 x 1 1/4	HEX BOLT
2	2	1/2-13 x 1 3/4	HEX BOLT
3	2	FW12	FW, 12, ZP
4	4	M12-1.5 x 35mm	HEX BOLT
5	2	1/2-13 x 1 3/4	CARRIAGE BOLT
6	2	CM-SP33	.250 x 1.50 x 2.00" SQUARE HOLE SPACER
7	8	HFN3816	HEX FLANGE NUT
8	4	HFN 1213	HEX FLANGE NUT
9	4	1/2"	CONICAL TOOTHED WASHER



HITCH WEIGHT: 40 LBS.

INSTALL TIME

PROFESSIONAL: 45 MINUTES

NOVICE (DIY): 90 MINUTES

INSTALL NOTES:

- DRILLING REQUIRED
- REMOVE BUMPER
- EXHAUST HANGER REMOVAL
- DRILL SIDE PLATES

**INSTALLATION STEPS**

1. Remove the rear bumper by unbolting it at (2) points on each side of the frame rails. Remove the brackets from the bumper. Identify the driver and passenger side hitch side plates. These plates fit to the outside of the frame and the welded stiffener on each side plate must fit under the frame rails.
2. The hitch side plates must be drilled by the installer to reinstall the bumper. These holes are easily marked by placing the bumper brackets on the plates, lining up the frame mounting holes, and marking the side plates from the brackets. Center punch and drill (2) holes in each plate 1/2" diameter for the bumper.
3. Install the hitch side plates to the outside of the frame as shown. Certain models will require exhaust support rod to be removed from the driver side frame rail to fit the side plate. Grind away the weld to remove rod. Use a universal exhaust pipe hanger bolted under the hitch mounting bolt to resupport the exhaust.
4. Fasten the side plates to the frame using supplied fasteners. Drill through the frame rails for 1/2" diameter bolts. Front holes have limited access for drilling and may require the use of an angle drill. Complete fastening side plates using fasteners as shown. Make certain the flat washers or backing plates are used inside the frames; opposite the hitch as shown.
5. Install hitch center section between side plates and attach with supplied hardware as shown.
6. Torque all 1/2" fasteners to 110 lb-ft, all 12mm fasteners to 83 lb-ft, and all 3/8" fasteners to 45 lb-ft.
7. Reinstall bumper.

**PERIODICALLY CHECK THIS RECEIVER HITCH TO ENSURE THAT ALL FASTENERS ARE TIGHT AND THAT ALL STRUCTURAL COMPONENTS ARE SOUND.**

Curt Manufacturing Inc., warrants this product to be free of defects in material and/or workmanship at the time of retail purchase by the original purchaser. If the product is found to be defective, Curt Manufacturing Inc., may repair or replace the product, at their option, when the product is returned, prepaid, with proof of purchase. Alteration to, misuse of, or improper installation of this product voids the warranty. Curt Manufacturing Inc.'s liability is limited to repair or replacement of products found to be defective, and specifically excludes liability for incidental or consequential loss or damage.