

INSTALLATION INSTRUCTIONS AND PARTS LIST

VEHICLE APPLICATION: **MODEL 500420 (12.00" X 20.00") FRONT OR REAR AND MODEL 500423 (12.00" X 23.00") REAR SPLASH GUARDS ON:**
2004 AND NEWER FORD F-150 SERIES SINGLE WHEEL TRUCKS

1. READ INSTRUCTIONS COMPLETELY AND CHECK TO MAKE SURE THAT ALL REQUIRED PARTS (LISTED ON SERVICE PARTS LIST) ARE ON HAND BEFORE STARTING THE INSTALLATION.
2. PEEL AWAY THE PROTECTIVE VINYL COVERING AND CLEAN THE STAINLESS STEEL SPLASH GUARD TO REMOVE ANY VINYL COVERING RESIDUE. (A GOOD GLASS CLEANER IS SUGGESTED).
3. PREPARE THE SPLASH GUARDS AND VEHICLE FOR SPLASH GUARD INSTALLATION AS FOLLOWS:
 - 3.1. FORM THE TOP OF THE SPLASH GUARD TO MATCH THE CONTOUR OF THE WHEEL WELL.
 - 3.2. ON REAR APPLICATIONS, ATTACH THE MOUNTING BRACKETS (ITEM 7 & 8) TO THE SPLASH GUARDS AS SHOWN. USE #10 X 3/4" TRUSS HEAD SCREWS (ITEM 11), #10 FLAT WASHERS (ITEM 6) & #10 SERRATED FLANGE NUTS (ITEM 12). (USE THE BOTTOM HOLE IN THE BRACKET).

MOUNTING 500420 FRONT SPLASH GUARDS ON TRUCKS WITH OUT WHEEL MOLDINGS:

4. INSTALL THE SPLASH GUARDS AS FOLLOWS: **(SEE SHEET #3)**
 - 4.1. REMOVE THE TWO FACTORY SCREWS THAT FASTEN THE STONE GUARD. THIS REQUIRES A 5.5mm OR 7/32" WRENCH. (THESE FASTENERS ARE REUSED IN THIS INSTALLATION).
 - 4.2. POSITION THE SPLASH GUARD AGAINST THE WHEEL WELL FLANGE AND REINSTALL THE FACTORY STONE GUARD SCREWS FINGER TIGHT. (USE THE HOLES AS SHOWN). MOVE THE SPLASH GUARD IN OR OUT AS DESIRED, LEVEL THE SPLASH GUARDS AND TIGHTEN THE FASTENERS.

MOUNTING 500420 FRONT SPLASH GUARDS ON TRUCKS WITH WHEEL MOLDINGS:

5. DRILL FASTENER CLEARANCE HOLES THRU THE FACTORY MOLDING AND INSTALL THE SPLASH GUARDS AS FOLLOWS: **(SEE SHEET #4 AND USE FRONT PAPER DRILLING TEMPLATE)**
 - 5.1. ROTATE FRONT WHEELS FOR ACCESS TO THE TIRE SIDE OF THE WHEEL WELL MOLDING.
 - 5.2. LOCATE AND TAPE THE TEMPLATE AGAINST THE TIRE SIDE OF THE MOLDING SO THAT IT MATCHES THE OUTBOARD, BOTTOM AND INBOARD EDGES. USING THE LOWER INBOARD CENTERLINE MARK ON THE TEMPLATE, DRILL A 1/16" DIA. HOLE THRU THE MOLDING. INSURE THIS POINT MATCHES THE CENTER OF THE STONE GUARD FASTENER. (RELOCATE THE TEMPLATE AND DRILL ANOTHER HOLE IF NECESSARY). THEN, DRILL TWO 5/16" DIA. CLEARANCE HOLES THRU THE MOLDING. **NOTE: DO NOT DRILL INTO THE STONE GUARD OR SHEET METAL FLANGE.**
 - 5.3. REMOVE TWO PLASTIC RATCHET FASTENERS. ONE FROM THE BOTTOM SIDE OF THE MOLDING UNDER THE ROCKER PANEL. THE OTHER ONE IS THE FIRST CLIP, ABOUT 14.00" UP, ON THE MOLDING FLANGE. PULL THE MOLDING OUTWARD, AS SHOWN IN FIG. #2, AND REMOVE TWO FACTORY SCREWS THAT FASTEN THE STONE GUARD. THIS REQUIRES A 5.5mm OR 7/32" WRENCH. (THESE FASTENERS ARE NOT REUSED IN THIS INSTALLATION).
 - 5.4. PUSH THE MOLDING BACK INTO POSITION AND INSTALL RATCHET FASTENERS (ITEM 8) BACK INTO THE HOLES ON THE BOTTOM SIDE AND FACE OF THE MOLDING.
 - 5.5. POSITION THE SPLASH GUARD AGAINST THE WHEEL WELL MOLDING AND INSTALL THE STONE GUARD SCREWS (ITEM 7) FINGER TIGHT. (USE THE HOLES AS SHOWN). MOVE THE SPLASH GUARD IN OR OUT AS DESIRED, LEVEL THE SPLASH GUARDS AND TIGHTEN THE FASTENERS.



MOUNTING 500420 OR 500423 REAR SPLASH GUARDS ON TRUCKS WITH OUT WHEEL MOLDINGS:

6. INSTALL THE SPLASH GUARDS AS FOLLOWS: (SEE SHEET #5)
 - 6.1. REMOVE THE TWO FACTORY PLASTIC RATCHET FASTENERS THAT FASTEN THE STONE GUARD. (THESE FASTENERS ARE NOT REUSED).
 - 6.2. POSITION THE SPLASH GUARD AGAINST THE WHEEL WELL FLANGE AND INSTALL ¼ X 1.00" BUTTON HEAD SOCKET SCREWS (ITEM 9), ¼" FLAT WASHERS (ITEM 13) AND ¼-20 SERRATED FLANGE NUTS (ITEM 10) FINGER TIGHT. (USE THE HOLES AS SHOWN). MOVE THE SPLASH GUARDS IN OR OUT AS DESIRED, LEVEL THE SPLASH GUARDS, TIGHTEN THE FASTENERS AND CLAMP THE TOP OF THE MOUNTING BRACKET TO THE INNER WHEEL WELL PINCH WELD.
 - 6.3. USING THE HOLE IN THE MOUNTING BRACKET AS A PILOT, DRILL A 3/16" DIA HOLE THRU THE WHEEL WELL PINCH WELD FLANGE AND FASTEN WITH A ¼" X ¾" HEX HEAD THREAD FORMING SCREW (ITEM 14).

MOUNTING 500420 OR 500423 REAR SPLASH GUARDS ON TRUCKS WITH WHEEL MOLDINGS:

7. DRILL FASTENER CLEARANCE HOLES THRU THE FACTORY MOLDINGS AND INSTALL THE SPLASH GUARDS AS FOLLOWS: (SEE SHEET #6 AND USE REAR PAPER DRILLING TEMPLATE)
 - 7.1. REMOVE THE TOP FACTORY PLASTIC RATCHET FASTENER THAT FASTENS THE STONE GUARD. THIS FASTENER IS LOCATED ABOUT 3-1/2" UP FROM THE BOTTOM OF THE MOLDING AND IS BETWEEN THE MOLDING AND THE METALLIC WHEEL WELL FLANGE. (SNIP THE FASTENER WITH A SIDE CUTTER AND THEN REMOVE).
 - 7.2. REMOVE THE LOWER PLASTIC RATCHET FASTENER FROM THE **WHEEL WELL MOLDING**. (THIS FASTENER ATTACHES THE MOLDING TO THE METALLIC WHEEL WELL FLANGE AND IS NOT REUSED).
 - 7.3. LOCATE AND TAPE THE TEMPLATE AGAINST THE TIRE SIDE OF THE MOLDING SO THAT IT MATCHES THE OUTBOARD, BOTTOM AND INBOARD EDGES. (**NOTE: THE TOP DRILLING HOLE MUST LINE UP WITH THE EXISTING HOLE IN THE MOLDING**). USING THE LOWER INBOARD CENTERLINE MARK ON THE TEMPLATE, DRILL A 1/16" HOLE THRU THE MOLDING. INSURE THIS POINT MATCHES THE HOLE IN THE METALLIC WHEEL WELL FLANGE. RELOCATE THE HOLE IF NECESSARY AND THEN DRILL A 5/16" DIA. CLEARANCE HOLE.
 - 7.4. POSITION THE SPLASH GUARD AGAINST THE WHEEL WELL MOLDING AND INSTALL ¼ X 1.00" BUTTON HEAD SOCKET SCREWS (ITEM 9), ¼" FLAT WASHERS (ITEM 13) AND ¼-20 SERRATED FLANGE NUTS (ITEM 10) FINGER TIGHT. (USE THE UPPER SET OF HOLES AS SHOWN). MOVE THE SPLASH GUARDS IN OR OUT AS DESIRED, LEVEL THE SPLASH GUARDS, TIGHTEN THE FASTENERS AND CLAMP THE TOP OF THE MOUNTING BRACKET TO THE INNER WHEEL WELL PINCH WELD.
 - 7.5. USING THE HOLE IN THE MOUNTING BRACKET AS A PILOT, DRILL A 3/16" DIA HOLE THRU THE WHEEL WELL PINCH WELD FLANGE AND FASTEN WITH A ¼" X ¾" HEX HEAD THREAD FORMING SCREW (ITEM 14).



SERVICE PARTS LIST

MODEL NO. - 500420

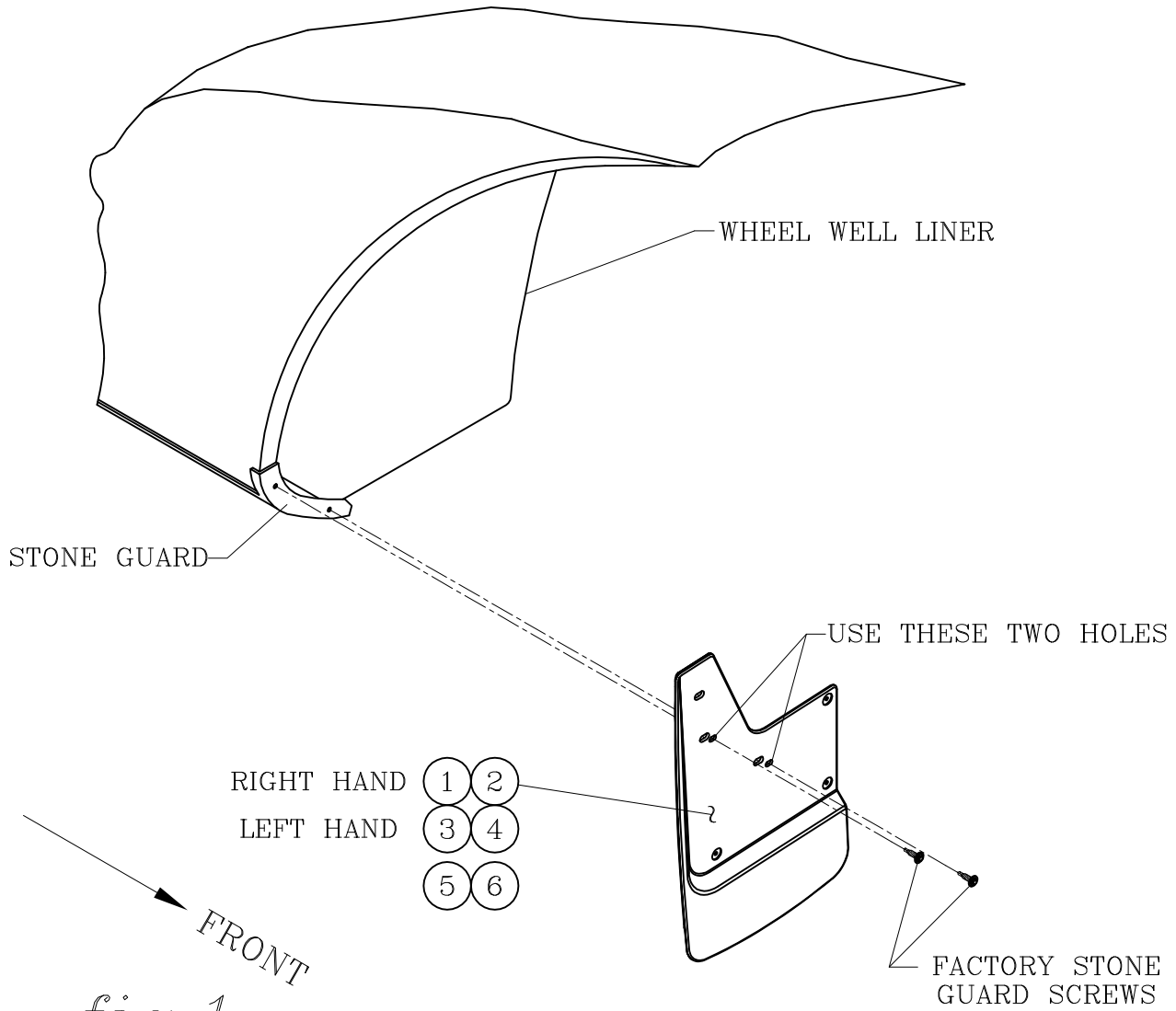


fig.1

FRONT INSTALLATION
WITHOUT WHEEL WELL MOLDINGS
RIGHT SIDE SHOWN

ITEM	PART NO.	QTY	DESCRIPTION
1	549932	1	SPLASH GUARD- MOLDED, 12 X 20, FORD, RH
2	549934	1	INSERT-SPLASH GUARD,SST,FORD,RH
3	549933	1	SPLASH GUARD- MOLDED, 12 X 20, FORD, LH
4	549935	1	INSERT-SPLASH GUARD, SST, FORD, LH
5	103146	4	RIVET- SST, 3/16 X 3/8
6	105511	4	WASHER- FLAT, SST, .203 X .625 X .062

SERVICE PARTS LIST

MODEL NO. - 500420

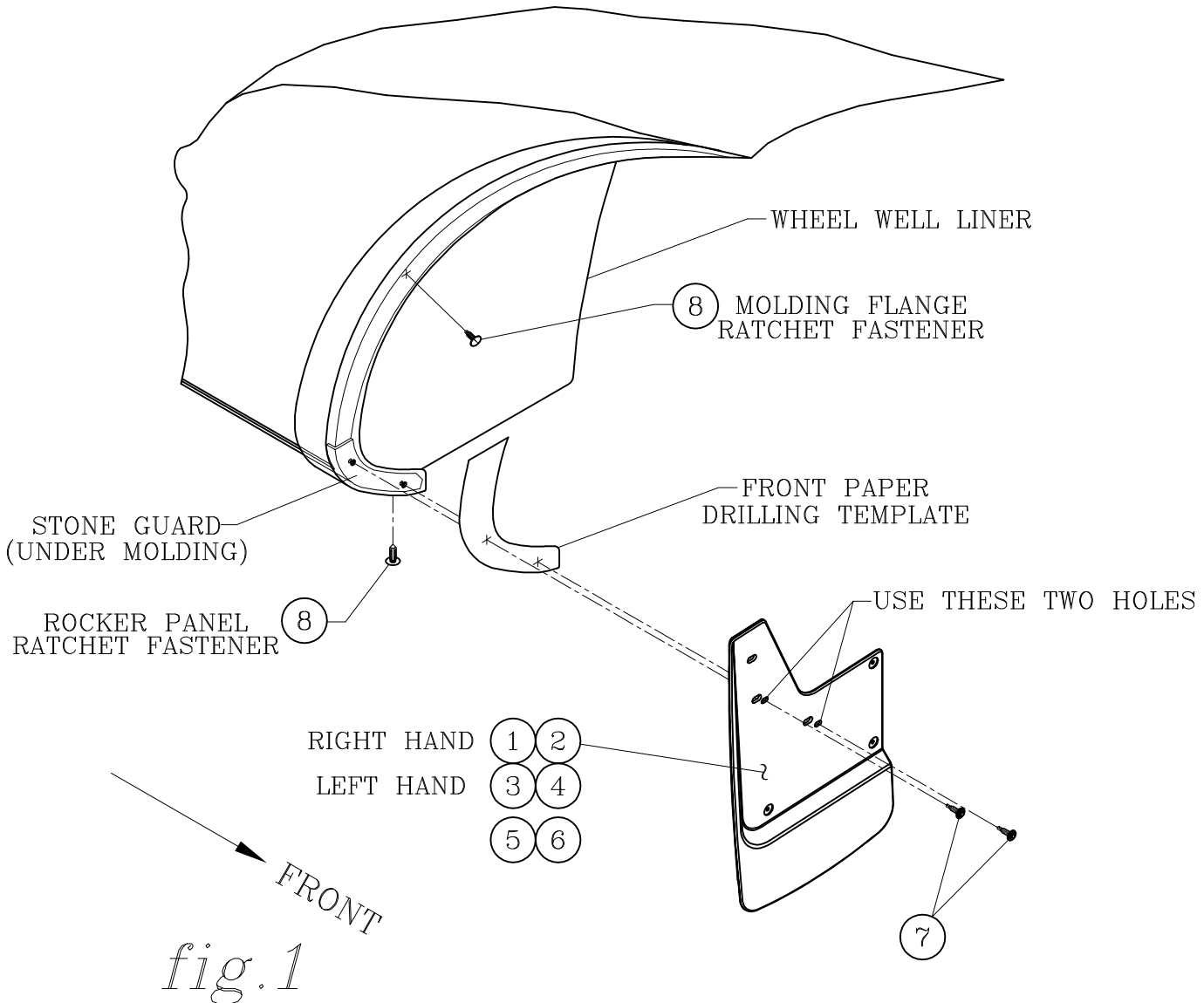


fig.1

FRONT INSTALLATION
WITH WHEEL WELL MOLDING
RIGHT SIDE SHOWN

ITEM	PART NO.	QTY	DESCRIPTION
1	549932	1	SPLASH GUARD- MOLDED, 12 X 20, FORD, RH
2	549934	1	INSERT-SPLASH GUARD,SST,FORD,RH
3	549933	1	SPLASH GUARD- MOLDED, 12 X 20, FORD, LH
4	549935	1	INSERT-SPLASH GUARD, SST, FORD, LH
5	103146	4	RIVET- SST, 3/16 X 3/8
6	105511	4	WASHER- FLAT, SST, .203 X .625 X .062
7	105514	4	SCREW-SEMS
8	105515	4	FASTENER- RCHT, RND HD, NYLON, 1/4 X 1.00"

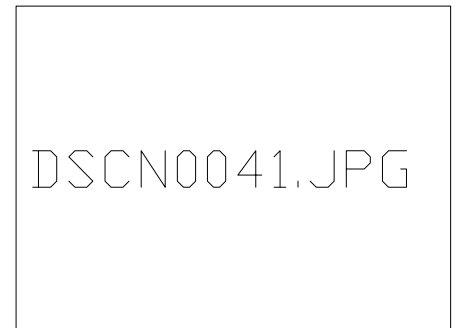


fig.2

SERVICE PARTS LIST

MODEL NO. - 500420 & 500423

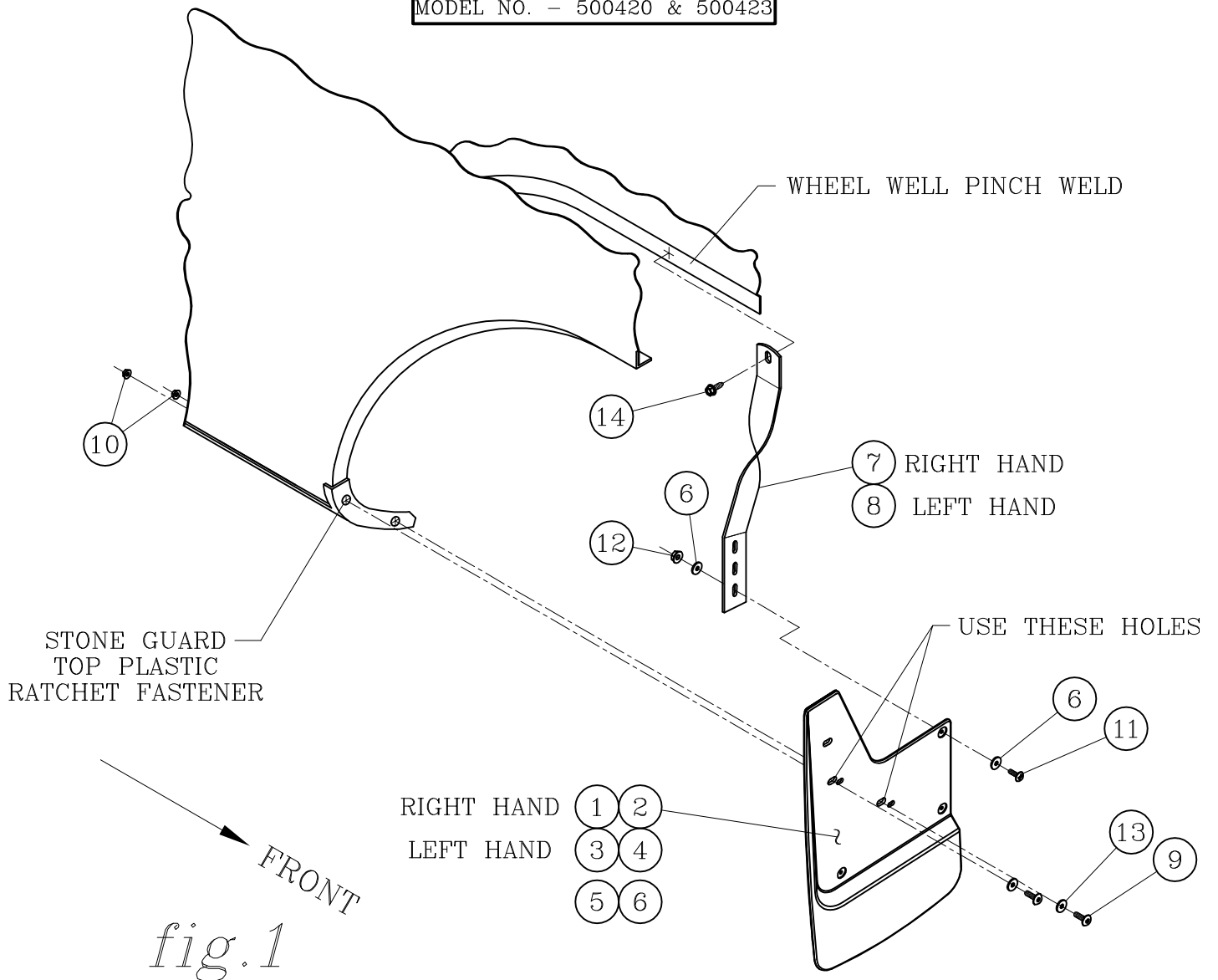


fig.1

REAR INSTALLATION
WITHOUT WHEEL WELL MOLDINGS
RIGHT SIDE SHOWN

ITEM	PART NO.	QTY	DESCRIPTION
1	549932	1	SPLASH GUARD- MOLDED, 12 X 20, FORD, RH
1	549936	1	SPLASH GUARD- MOLDED, 12 X 23, FORD, RH
2	549934	1	INSERT-SPLASH GUARD, SST, FORD, RH
3	549933	1	SPLASH GUARD- MOLDED, 12 X 20, FORD, LH
3	549937	1	SPLASH GUARD- MOLDED, 12 X 23, FORD, LH
4	549935	1	INSERT-SPLASH GUARD, SST, FORD, LH
5	103146	4	RIVET- SST, 3/16 X 3/8
6	105511	8	WASHER- FLAT, SST, .203 X .625 X .062
7	549927	1	BRACKET - MTG, SPL GD, RH
8	549928	1	BRACKET - MTG, SPL GD, LH
9	105543	4	SCREW- BTN HD SOC, SST, 1/4-20 X 1.00"
10	102366	4	NUT- HEX, SERR FLG, SST, 1/4-20
11	103775	2	BOLT- TRUSS HD, XREC, SST, #10-24 X 3/4
12	104261	2	NUT- HEX, SERR FLG, SST, #10-24
13	101370	4	WASHER- FLAT, SST, .281 X .625 X .065
14	102694	2	SCREW- TF, AB, SST, 1/4 X 3/4

SERVICE PARTS LIST

MODEL NO. - 500420 & 500423

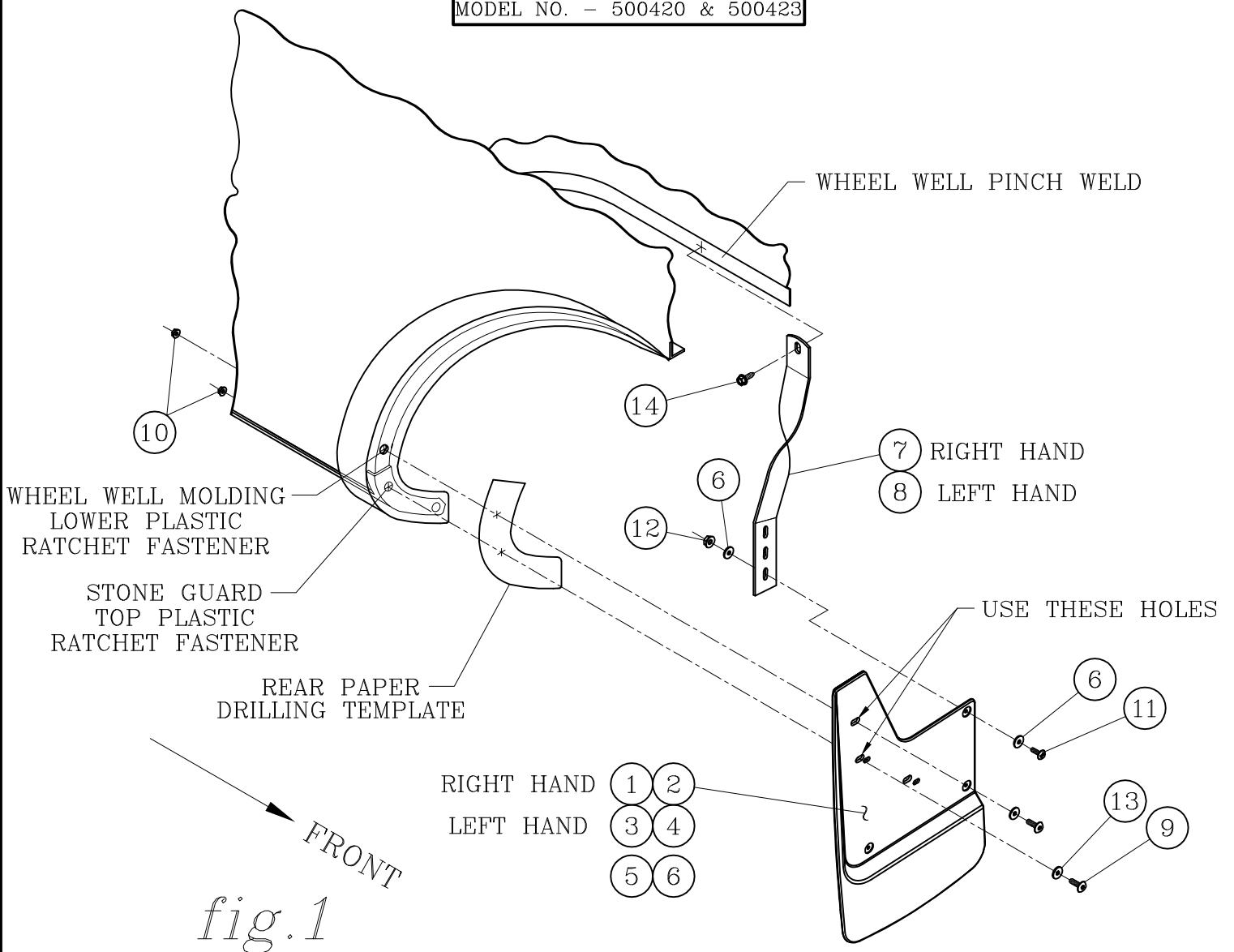


fig.1

REAR INSTALLATION
WITH WHEEL WELL MOLDINGS
RIGHT SIDE SHOWN

ITEM	PART NO.	QTY	DESCRIPTION
1	549932	1	SPLASH GUARD- MOLDED, 12 X 20, FORD, RH
1	549936	1	SPLASH GUARD- MOLDED, 12 X 23, FORD, RH
2	549934	1	INSERT-SPLASH GUARD, SST, FORD, RH
3	549933	1	SPLASH GUARD- MOLDED, 12 X 20, FORD, LH
3	549937	1	SPLASH GUARD- MOLDED, 12 X 23, FORD, LH
4	549935	1	INSERT-SPLASH GUARD, SST, FORD, LH
5	103146	4	RIVET- SST, 3/16 X 3/8
6	105511	8	WASHER- FLAT, SST, .203 X .625 X .062
7	549927	1	BRACKET - MTG, SPL GD, RH
8	549928	1	BRACKET - MTG, SPL GD, LH
9	105543	4	SCREW- BTN HD SOC, SST, 1/4-20 X 1.00"
10	102366	4	NUT- HEX, SERR FLG, SST, 1/4-20
11	103775	2	BOLT- TRUSS HD, XREC, SST, #10-24 X 3/4
12	104261	2	NUT- HEX, SERR FLG, SST, #10-24
13	101370	4	WASHER- FLAT, SST, .281 X .625 X .065
14	102694	2	SCREW- TF, AB, SST, 1/4 X 3/4

