

15845

## 1999-CURRENT FORD F-350, F-450, F-550, F-650

10/30/2012

CAB &amp; CHASSIS w/ 34" FRAME

GROSS LOAD CAPACITY WHEN USED AS A WEIGHT CARRYING HITCH: 20,000 LBS. TRAILER WEIGHT & 2,700 LBS. TONGUE WEIGHT.  
 GROSS LOAD CAPACITY WHEN USED AS A WEIGHT DISTRIBUTION HITCH: 20,000 LBS. TRAILER WEIGHT & 2,700 LBS. TONGUE WEIGHT

\*\*\* **DO NOT EXCEED VEHICLE MANUFACTURER'S RECOMMENDED TOWING CAPACITY.** \*\*\*

HAVING INSTALLATION QUESTIONS? CALL TECHNICAL SUPPORT AT 1-800-798-0813

Parts List			
ITEM	QTY	PART NUMBER	DESCRIPTION
1	2	CM-SP142	.313" SPACER
2	6	HFN 1213	HEX FLANGE NUT
3	6	1/2-13 x 1 1/2	CARRIAGE BOLT
4	4	9_16-12, GR8	HEX FLANGE NUT
5	4	9/16-12 x 1 3/4, GR8	CARRIAGE BOLT
6	4	CM-SP71	.250 x 1.50 x 2.00" 9/16" SQUARE HOLE SPACER

## TOOLS REQUIRED

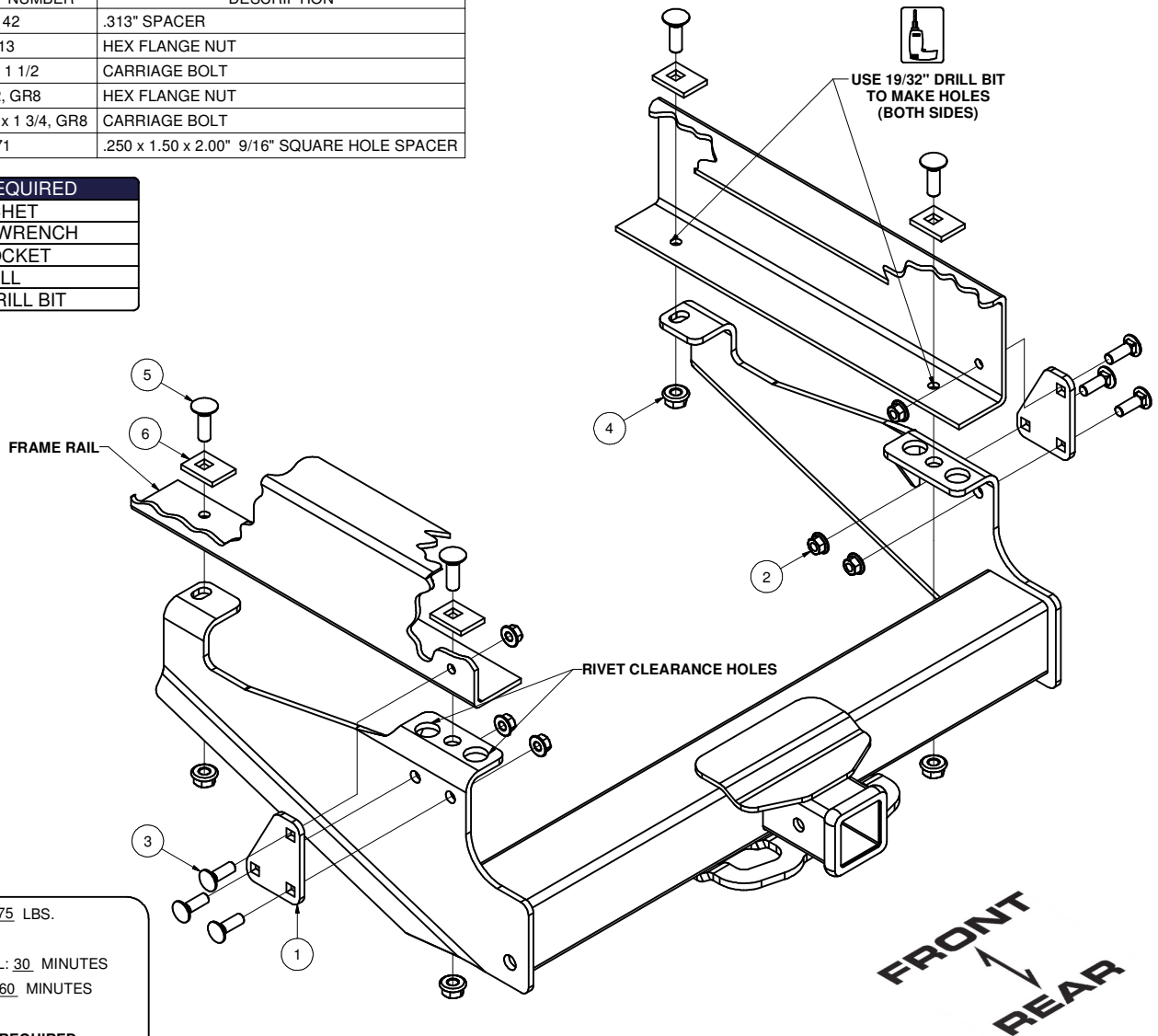
RATCHET

TORQUE WRENCH

3/4" SOCKET

DRILL

19/32" DRILL BIT



HITCH WEIGHT: 75 LBS.

## INSTALL TIME

PROFESSIONAL: 30 MINUTES

NOVICE (DIY): 60 MINUTES

## INSTALL NOTES:

- DRILLING REQUIRED

## INSTALLATION STEPS

1. Raise hitch into position and clamp in place. Use the rivet clearance holes in the side plates for proper alignment.
2. With the hitch in place, mark the hole furthest from the bumper, for drilling. When you have the drill location marked, use a 19/32" drill bit to make the required mounting hole.
3. Fasten the hitch to the frame as shown, fastening to the holes in the back of the frame first and then to the drilled holes in the front.
4. Attach the mounting plates to the hitch and fasten to the truck as shown.
5. Torque all 1/2" hardware to 110 ft-lbs.  
Torque all 9/16" hardware to 150 ft-lbs.

**PERIODICALLY CHECK THIS RECEIVER HITCH TO ENSURE THAT ALL FASTENERS ARE TIGHT AND THAT ALL STRUCTURAL COMPONENTS ARE SOUND.**

Curt Manufacturing LLC., warrants this product to be free of defects in material and/or workmanship at the time of retail purchase by the original purchaser. If the product is found to be defective, Curt Manufacturing LLC., may repair or replace the product, at their option, when the product is returned, prepaid, with proof of purchase. Alteration to, misuse of, or improper installation of this product voids the warranty. Curt Manufacturing LLC.'s liability is limited to repair or replacement of products found to be defective, and specifically excludes liability for incidental or consequential loss or damage.