

**15324****2003-2006 CHEVY TAHOE / SUBURBAN AND GMC YUKON / DENALI;  
2003-2006 CADILLAC ESCALADE; 2003-2006 CHEVY AVALANCHE****10/3/2012**

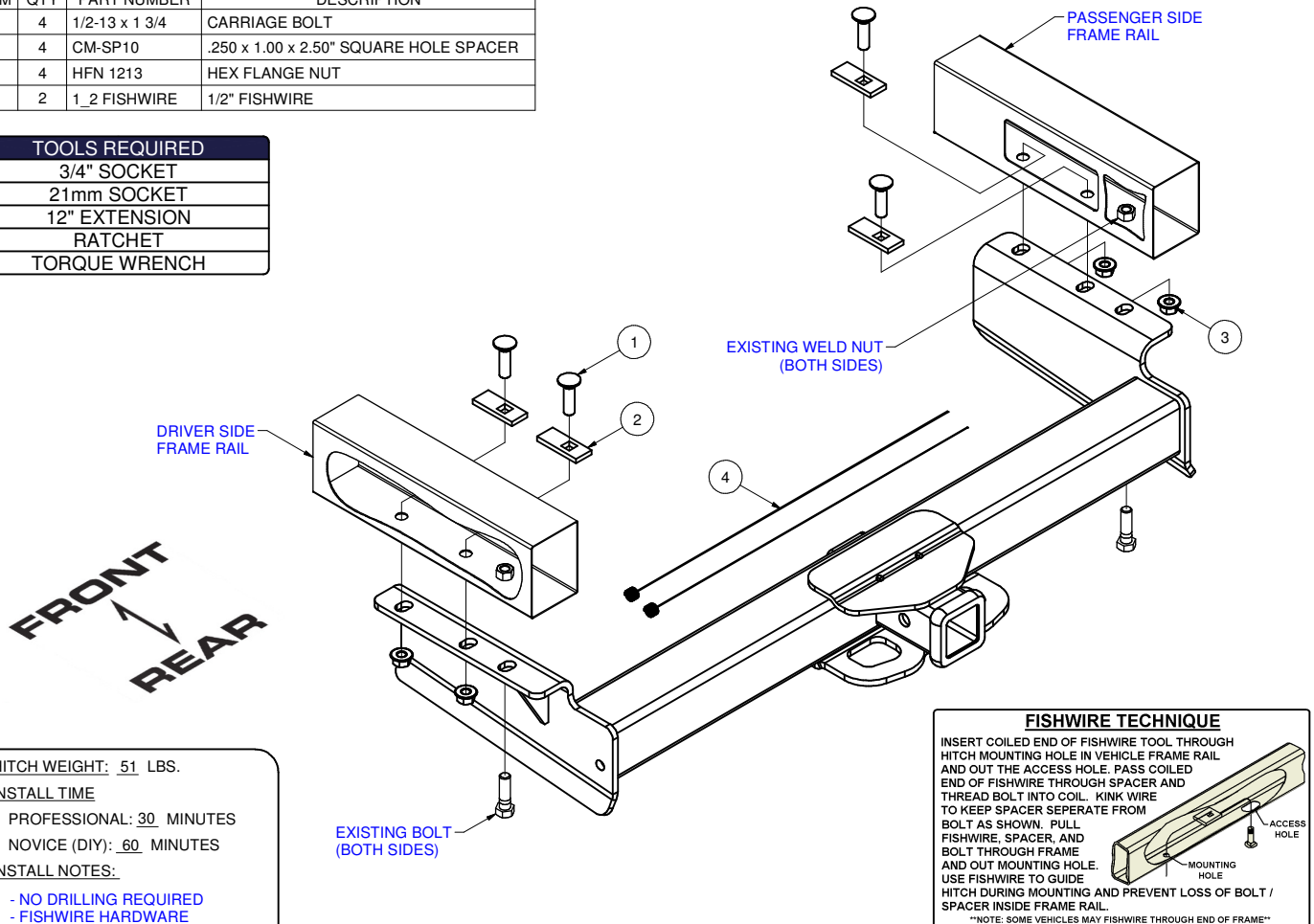
GROSS LOAD CAPACITY WHEN USED AS A WEIGHT CARRYING HITCH: 16,000 LBS. TRAILER WEIGHT & 2,400 LBS. TONGUE WEIGHT.  
GROSS LOAD CAPACITY WHEN USED AS A WEIGHT DISTRIBUTION HITCH: 17,000 LBS. TRAILER WEIGHT & 2,400 LBS. TONGUE WEIGHT

**\*\*\*DO NOT EXCEED VEHICLE MANUFACTURER'S RECOMMENDED TOWING CAPACITY.\*\*\***

HAVING INSTALLATION QUESTIONS? CALL TECHNICAL SUPPORT AT 1-800-798-0813

Parts List			
ITEM	QTY	PART NUMBER	DESCRIPTION
1	4	1/2-13 x 1 3/4	CARRIAGE BOLT
2	4	CM-SP10	.250 x 1.00 x 2.50" SQUARE HOLE SPACER
3	4	HFN 1213	HEX FLANGE NUT
4	2	1_2 FISHWIRE	1/2" FISHWIRE

TOOLS REQUIRED
3/4" SOCKET
21mm SOCKET
12" EXTENSION
RATCHET
TORQUE WRENCH



HITCH WEIGHT: 51 LBS.

INSTALL TIME

PROFESSIONAL: 30 MINUTES

NOVICE (DIY): 60 MINUTES

INSTALL NOTES:

- NO DRILLING REQUIRED
- FISHWIRE HARDWARE
- LOWER SPARE TIRE

## INSTALLATION STEPS

1. To ease hitch installation, lower the spare tire.
2. Remove the two bolts (one each side) from the bumper bracket on the bottom of the frame. (NOTE: Do not discard the bolts as they are reinstalled in Step 3.)
3. Raise the hitch into position and reinstall the bolts removed in Step 2.
4. Install 1/2"-13 x 1 3/4" carriage bolts and CM-SP10 spacers through the access windows on the inside of each frame rail into each of the remaining (4) mounting holes in the frame rails and hitch.
5. Secure the hitch with the 1/2" hex flange nuts, as shown.
6. Torque all 1/2" hardware to 110 ft-lbs. Torque all 14mm hardware to 126 ft-lbs.
7. Replace spare tire lowered in Step 1.

**PERIODICALLY CHECK THIS RECEIVER HITCH TO ENSURE THAT ALL FASTENERS ARE TIGHT AND THAT ALL STRUCTURAL COMPONENTS ARE SOUND.**

Curt Manufacturing LLC., warrants this product to be free of defects in material and/or workmanship at the time of retail purchase by the original purchaser. If the product is found to be defective, Curt Manufacturing LLC., may repair or replace the product, at their option, when the product is returned, prepaid, with proof of purchase. Alteration to, misuse of, or improper installation of this product voids the warranty. Curt Manufacturing LLC.'s liability is limited to repair or replacement of products found to be defective, and specifically excludes liability for incidental or consequential loss or damage.