

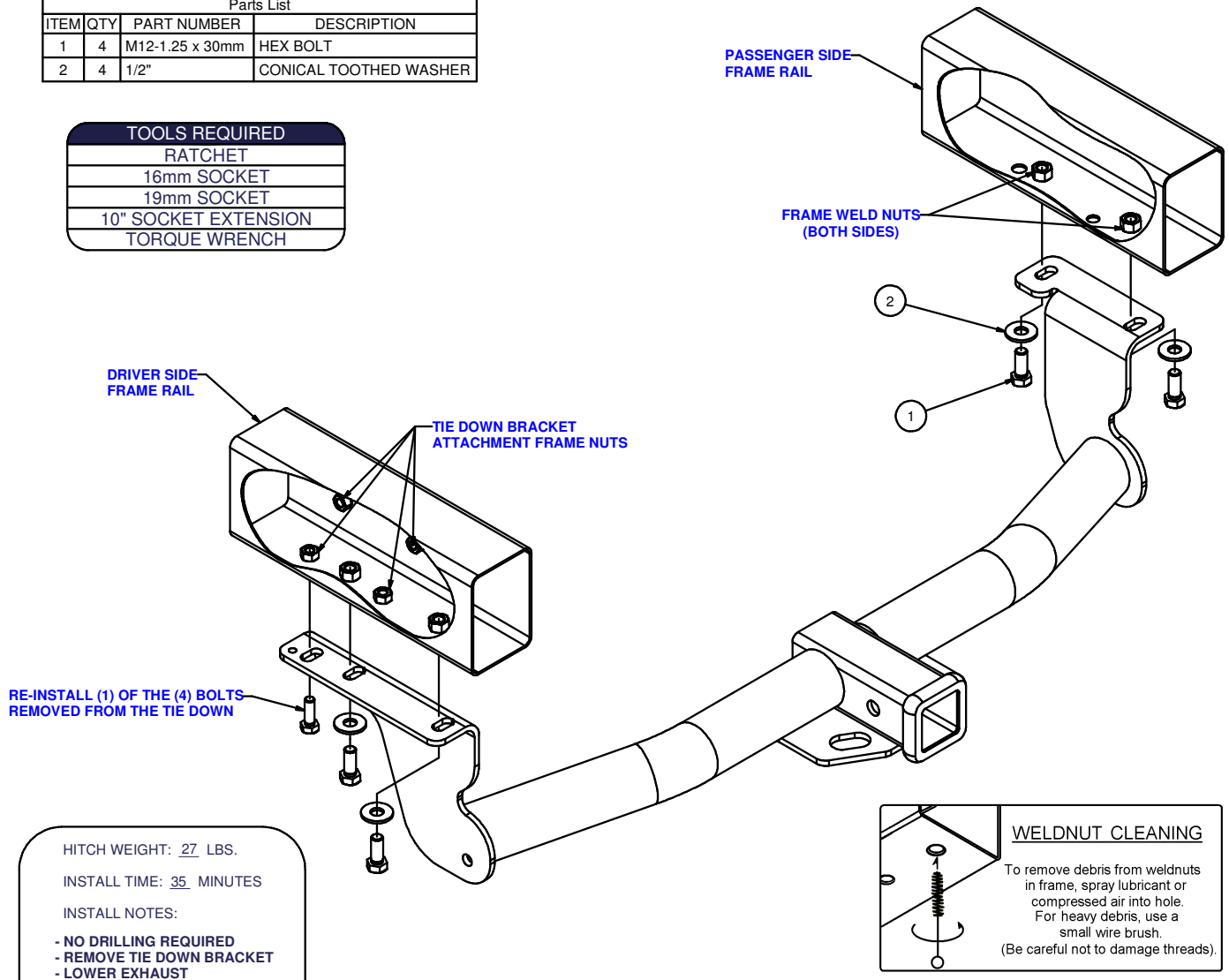
**13577****NISSAN MURANO**

7/16/2012

GROSS LOAD CAPACITY WHEN USED AS A WEIGHT CARRYING HITCH: 4,000 LBS. TRAILER WEIGHT & 400 LBS. TONGUE WEIGHT.  
**\*\*\*DO NOT EXCEED VEHICLE MANUFACTURER'S RECOMMENDED TOWING CAPACITY.\*\*\***

Parts List			
ITEM	QTY	PART NUMBER	DESCRIPTION
1	4	M12-1.25 x 30mm	HEX BOLT
2	4	1/2"	CONICAL TOOTHED WASHER

TOOLS REQUIRED	
RATCHET	
16mm SOCKET	
19mm SOCKET	
10" SOCKET EXTENSION	
TORQUE WRENCH	

HITCH WEIGHT: 27 LBS.INSTALL TIME: 35 MINUTES

INSTALL NOTES:

- NO DRILLING REQUIRED
- REMOVE TIE DOWN BRACKET
- LOWER EXHAUST

**INSTALLATION STEPS**

- 1) Lower exhaust by removing (4) rubber exhaust isolators at rear of vehicle. Note: Spraying a lubricant or soapy water on the metal hanger rod and the rubber isolator helps removal.
- 2) Remove the (4) bolts holding the tie down bracket onto the vehicle and return all but (1) bolt to the owner. Bolt will be used later.
- 3) Use a M12-1.25 tap to clean under coating from frame nuts if required.
- 4) Raise hitch into position between exhaust tip(s) and attach to vehicle using the supplied 12mm bolts and washers. Install the factory bolt as shown above.
- 5) Torque all 8mm fasteners to 23 lb-ft and all 12mm fasteners to 86 lb-ft.
- 6) Re-install rubber exhaust isolators removed in step 1.

**PERIODICALLY CHECK THIS RECEIVER HITCH TO ENSURE THAT ALL FASTENERS ARE TIGHT AND THAT ALL STRUCTURAL COMPONENTS ARE SOUND.**

Curt Manufacturing Inc., warrants this product to be free of defects in material and/or workmanship at the time of retail purchase by the original purchaser. If the product is found to be defective, Curt Manufacturing Inc., may repair or replace the product, at their option, when the product is returned, prepaid, with proof of purchase. Alteration to, misuse of, or improper installation of this product voids the warranty. Curt Manufacturing Inc.'s liability is limited to repair or replacement of products found to be defective, and specifically excludes liability for incidental or consequential loss or damage.