

**13354****ACURA MDX (EXCEPT FULL SIZE SPARE)**

12/2/2016

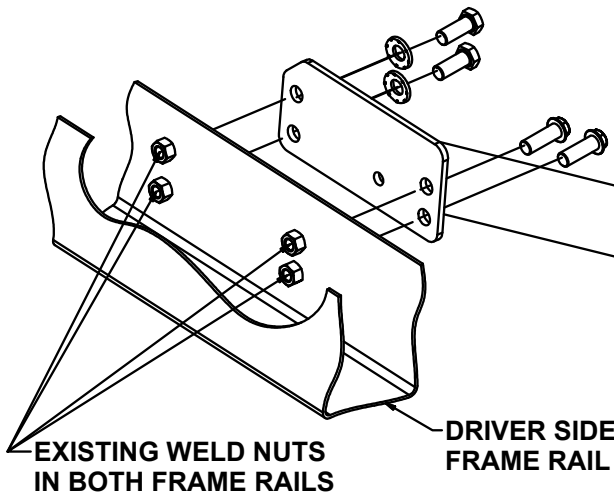
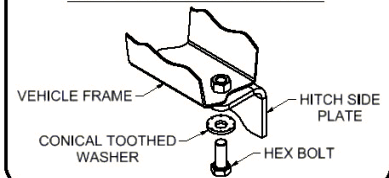
GROSS LOAD CAPACITY WHEN USED AS A WEIGHT CARRYING HITCH: 4,000 LBS. TRAILER WEIGHT & 400 LBS. TONGUE WEIGHT.  
 GROSS LOAD CAPACITY WHEN USED AS A WEIGHT DISTRIBUTION HITCH: 5,000 LBS. TRAILER WEIGHT & 500 LBS. TONGUE WEIGHT

**\*\*\*DO NOT EXCEED VEHICLE MANUFACTURER'S RECOMMENDED TOWING CAPACITY.\*\*\***

Parts List			
ITEM	QTY	PART NUMBER	DESCRIPTION
1	4	M14 - 1.5 x 35 HEX	HEX BOLT
2	4	9/16" CONICAL WASHER	CONICAL TOOTHED WASHER
3	4	M14 - 1.5 x 40 HEX	HEX FLANGE BOLT

**TOOLS REQUIRED**

3/8" DRIVE RATCHET  
 22mm - 3/8" DRIVE SOCKET  
 10mm - 3/8" DRIVE SOCKET  
 TORQUE WRENCH

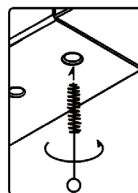
PASSENGER SIDE  
FRAME RAILFRONT  
↓  
REAREXISTING WELD NUTS  
IN BOTH FRAME RAILSDRIVER SIDE  
FRAME RAIL**CONICAL TOOTHED WASHER  
ORIENTATION DIAGRAM**

HITCH WEIGHT: 28 LBS.

INSTALL TIME: 30 MINUTES

INSTALL NOTES:

- NO DRILLING REQUIRED
- LOWER SPARE TIRE AND EXHAUST
- REMOVE / RE-INSTALL HEAT SHIELD

**WELDNUT CLEANING**

To remove debris from weldnuts in frame, spray lubricant or compressed air into hole. For heavy debris, use a small wire brush. (Be careful not to damage threads).

**INSTALLATION STEPS**

- 1) Remove the muffler hanger to allow the exhaust to drop down. Remove spare tire and muffler heat shield to ease installation.  
**Note:** Retain heat shields and hardware for re-installation.
- 2) Raise hitch into position between frame rails and install fasteners as shown above.
- 3) Torque all 14mm fasteners to 136 lb-ft.
- 4) Re-install heat shield and spare tire (if removed), and re-attach muffler hangers.

**PERIODICALLY CHECK THIS RECEIVER HITCH TO ENSURE THAT ALL FASTENERS ARE TIGHT AND THAT ALL STRUCTURAL COMPONENTS ARE SOUND.**

Curt Manufacturing Inc., warrants this product to be free of defects in material and/or workmanship at the time of retail purchase by the original purchaser. If the product is found to be defective, Curt Manufacturing Inc., may repair or replace the product, at their option, when the product is returned, prepaid, with proof of purchase. Alteration to, misuse of, or improper installation of this product voids the warranty. Curt Manufacturing Inc.'s liability is limited to repair or replacement of products found to be defective, and specifically excludes liability for incidental or consequential loss or damage.