

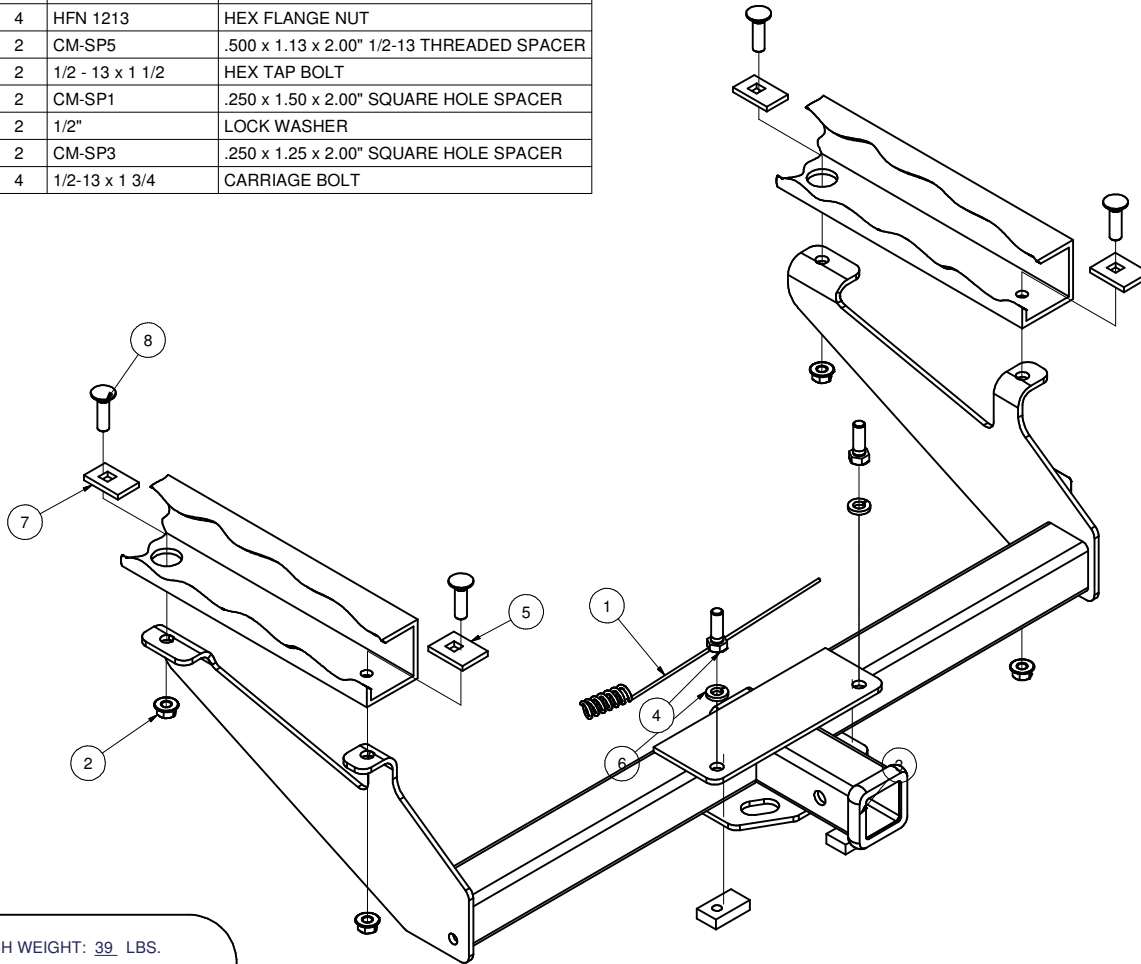
13320**2002 DODGE RAM 1500**

10/15/2012

GROSS LOAD CAPACITY WHEN USED AS A WEIGHT CARRYING HITCH: 6,000 LBS. TRAILER WEIGHT & 600 LBS. TONGUE WEIGHT.
 GROSS LOAD CAPACITY WHEN USED AS A WEIGHT DISTRIBUTION HITCH: 10,000 LBS. TRAILER WEIGHT & 1,000 LBS. TONGUE WEIGHT

*****DO NOT EXCEED VEHICLE MANUFACTURER'S RECOMMENDED TOWING CAPACITY.*****

Parts List			
ITEM	QTY	PART NUMBER	DESCRIPTION
1	1	1/2"	FISHWIRE TOOL
2	4	HFN 1213	HEX FLANGE NUT
3	2	CM-SP5	.500 x 1.13 x 2.00" 1/2-13 THREADED SPACER
4	2	1/2 - 13 x 1 1/2	HEX TAP BOLT
5	2	CM-SP1	.250 x 1.50 x 2.00" SQUARE HOLE SPACER
6	2	1/2"	LOCK WASHER
7	2	CM-SP3	.250 x 1.25 x 2.00" SQUARE HOLE SPACER
8	4	1/2-13 x 1 3/4	CARRIAGE BOLT



HITCH WEIGHT: 39 LBS.

INSTALL TIME: 30 MINUTES

INSTALL NOTES:

NO DRILLING REQUIRED

INSTALLATION STEPS

- 1) Fishwire a carriage bolt and large spacer through the end of the box frame and into the rearmost hole of the frame. Be sure the short side of the spacer faces the front of the vehicle.
- 2) Reverse fishwire a carriage bolt and small spacer through the existing hole it is to be fastened to.
- 3) Raise the hitch into position and attach a 1/2" flange nut to each carriage bolt. Do not tighten at this time.
- 4) With the hitch in place, insert the threaded block spacers through the access slot on the back side of the bumper. While holding the nut in place insert the 1/2" hex bolts and lockwashers provided.
- 5) Torque all hardware to 110 lb.-ft.

PERIODICALLY CHECK THIS RECEIVER HITCH TO ENSURE THAT ALL FASTENERS ARE TIGHT AND THAT ALL STRUCTURAL COMPONENTS ARE SOUND.

Curt Manufacturing Inc., warrants this product to be free of defects in material and/or workmanship at the time of retail purchase by the original purchaser. If the product is found to be defective, Curt Manufacturing Inc., may repair or replace the product, at their option, when the product is returned, prepaid, with proof of purchase. Alteration to, misuse of, or improper installation of this product voids the warranty. Curt Manufacturing Inc.'s liability is limited to repair or replacement of products found to be defective, and specifically excludes liability for incidental or consequential loss or damage.