

13029 / RRH13029

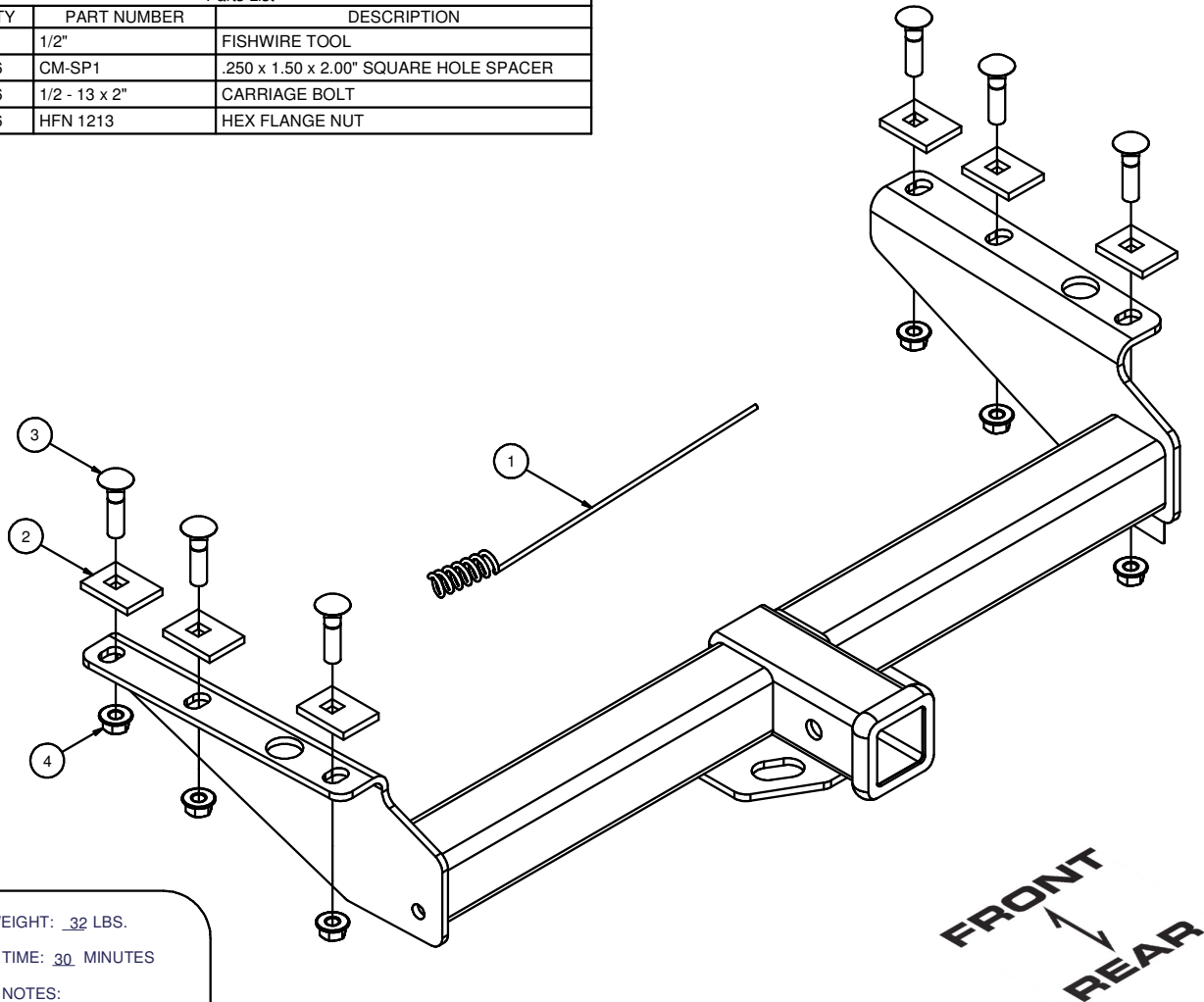
92-96 CHEVY/GMC FULL SIZE BLAZER
92-00 SUBURBAN, YUKON, YUKON XL, TAHOE
99-00 ESCALADE (old body)

9/24/2012

GROSS LOAD CAPACITY WHEN USED AS A WEIGHT CARRYING HITCH: 6,000 LBS. TRAILER WEIGHT & 600 LBS. TONGUE WEIGHT.
GROSS LOAD CAPACITY WHEN USED AS A WEIGHT DISTRIBUTION HITCH: 10,000 LBS. TRAILER WEIGHT & 1,000 LBS. TONGUE WEIGHT

***** DO NOT EXCEED VEHICLE MANUFACTURER'S RECOMMENDED TOWING CAPACITY. *****

| Parts List | | | |
|------------|-----|---------------|--|
| ITEM | QTY | PART NUMBER | DESCRIPTION |
| 1 | 1 | 1/2" | FISHWIRE TOOL |
| 2 | 6 | CM-SP1 | .250 x 1.50 x 2.00" SQUARE HOLE SPACER |
| 3 | 6 | 1/2 - 13 x 2" | CARRIAGE BOLT |
| 4 | 6 | HFN 1213 | HEX FLANGE NUT |



HITCH WEIGHT: 32 LBS.

INSTALL TIME: 30 MINUTES

INSTALL NOTES:

ENLARGE EXISTING HOLES TO 1/2"

INSTALLATION STEPS

- 1) **Place carriage bolts and square hole spacers** through existing holes in frame rails. (Some models may require mounting holes to be reamed out to allow for a 1/2" fastener.)
- 2) **Installations on boxed-in frames** will be made easier by fishwiring the bolts and spacers into the holes from an existing access hole. Wrap a wire around the threads of the bolt at the end and pull wire, bolt and spacers back through the access hole through the attachment hole.
- 3) **Raise hitch into position**, taking care not to push bolts back into frame. The large slot on each side fits over the rivet. Secure each bolt with a flange nut.
- 4) **Torque** all mounting bolts to 110 lb-ft. using a torque wrench.

PERIODICALLY CHECK THIS RECEIVER HITCH TO ENSURE THAT ALL FASTENERS ARE TIGHT AND THAT ALL STRUCTURAL COMPONENTS ARE SOUND.

Curt Manufacturing Inc., warrants this product to be free of defects in material and/or workmanship at the time of retail purchase by the original purchaser. If the product is found to be defective, Curt Manufacturing Inc., may repair or replace the product, at their option, when the product is returned, prepaid, with proof of purchase. Alteration to, misuse of, or improper installation of this product voids the warranty. Curt Manufacturing Inc.'s liability is limited to repair or replacement of products found to be defective, and specifically excludes liability for incidental or consequential loss or damage.