

11760**80-82 CHEVROLET CORVETTE**

12/10/2012

GROSS LOAD CAPACITY WHEN USED AS A WEIGHT CARRYING HITCH: 2,000 LBS. TRAILER WEIGHT & 200 LBS. TONGUE WEIGHT.

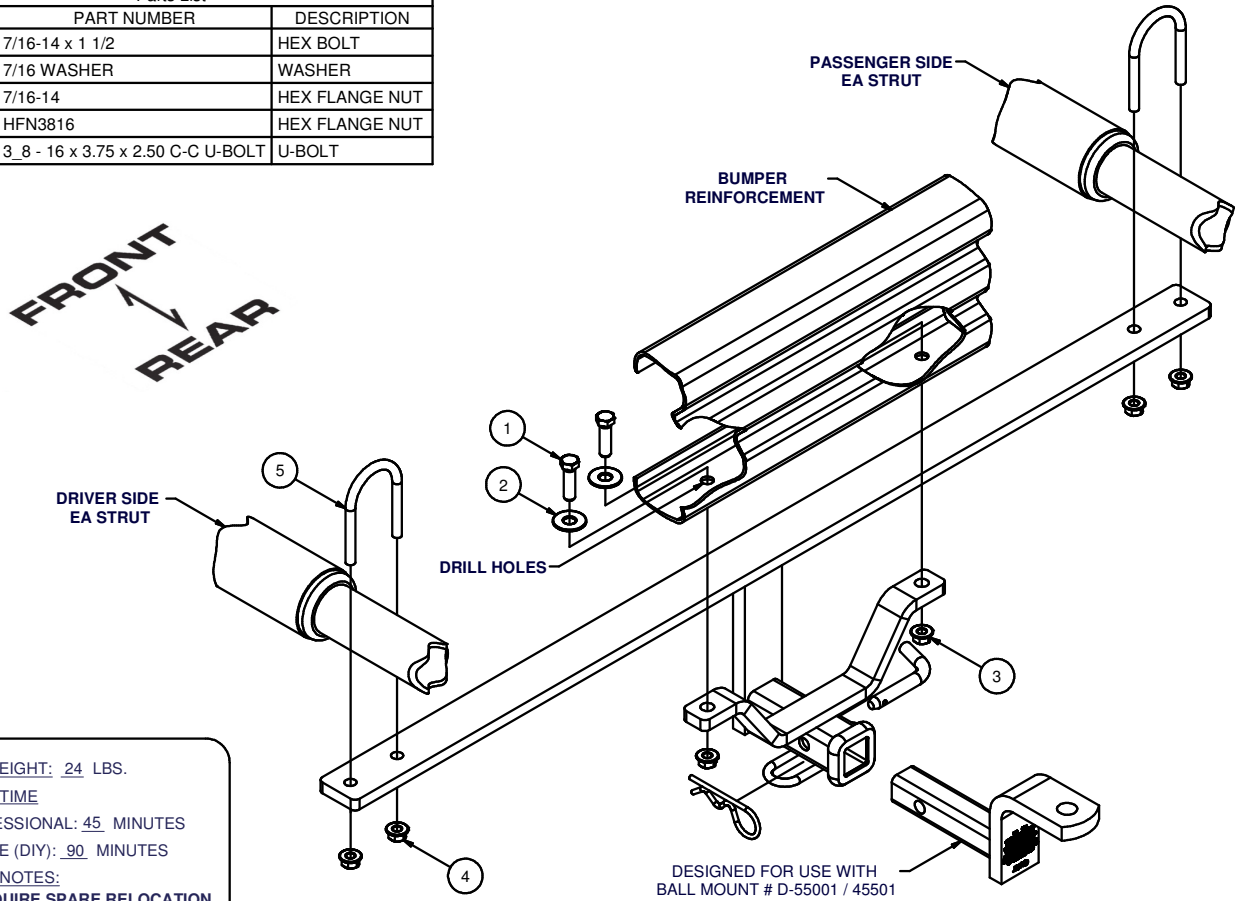
*****DO NOT EXCEED VEHICLE MANUFACTURER'S RECOMMENDED TOWING CAPACITY.*****

WARNING: ALL NON-TRAILER LOADS APPLIED TO THIS PRODUCT MUST BE SUPPORTED BY 18050 STABILIZING STRAPS.

**** FAILURE TO PROPERLY SUPPORT NON-TRAILER LOADS WILL VOID PRODUCT WARRANTY****

HAVING INSTALLATION QUESTIONS? CALL TECHNICAL SUPPORT AT 1-800-798-0813

Parts List			
ITEM	QTY	PART NUMBER	DESCRIPTION
1	2	7/16-14 x 1 1/2	HEX BOLT
2	2	7/16 WASHER	WASHER
3	2	7/16-14	HEX FLANGE NUT
4	4	HFN3816	HEX FLANGE NUT
5	2	3_8 - 16 x 3.75 x 2.50 C-C U-BOLT	U-BOLT



HITCH WEIGHT: 24 LBS.

INSTALL TIME

PROFESSIONAL: 45 MINUTES

NOVICE (DIY): 90 MINUTES

INSTALL NOTES:

- MAY REQUIRE SPARE RELOCATION
- MAY REQUIRE TOW BRACKET RELOCATION
- DRILLING REQUIRED

INSTALLATION STEPS

1. Place the hitch on the vehicle as shown fitting it under the EA struts and the bottom of the bumper reinforcement. Install fasteners at the EA strut, but do not fully tighten at this time.
2. If towing brackets or the spare tire light are interfering, remove and / or relocate them.
3. Position the hitch fore / aft for optimum fit at the bumper reinforcement. Using the hitch as a template, drill the bumper reinforcement for (2) 7/16" diameter fasteners.
4. Install fasteners through the bumper reinforcement, making sure to place the flat washers INSIDE the bumper reinforcement; opposite the hitch.
5. Torque U-bolts to 45 lb-ft, and all 7/16" fasteners to 70 lb-ft.

NOTE: Do not use impact wrench on U-bolts.

PERIODICALLY CHECK THIS RECEIVER HITCH TO ENSURE THAT ALL FASTENERS ARE TIGHT AND THAT ALL STRUCTURAL COMPONENTS ARE SOUND.

Curt Manufacturing Inc., warrants this product to be free of defects in material and/or workmanship at the time of retail purchase by the original purchaser. If the product is found to be defective, Curt Manufacturing Inc., may repair or replace the product, at their option, when the product is returned, prepaid, with proof of purchase. Alteration to, misuse of, or improper installation of this product voids the warranty. Curt Manufacturing Inc.'s liability is limited to repair or replacement of products found to be defective, and specifically excludes liability for incidental or consequential loss or damage.