

INSTALLATION INSTRUCTIONS AND PARTS LIST

BLACK STAINLESS STEEL BAJA STEP NERF BARS:
430422 2004 AND NEWER FORD F-150 SUPER CAB TRUCKS
430923 2009 AND NEWER FORD F-150 SUPER CREW TRUCKS



NO DRILL INSTALLATION

1. READ INSTRUCTIONS COMPLETELY AND CHECK TO MAKE SURE THAT ALL THE REQUIRED PARTS (LISTED ON THE SERVICE PARTS LIST) ARE ON HAND BEFORE STARTING THE INSTALLATION.
2. ASSEMBLE THE NERF BAR TUBES AND MOUNTING BRACKETS AS FOLLOWS.
NOTE: THE 1" X 3" SERIAL NUMBER DECAL IS LOCATED ON THE FRONT LEG OF THE LEFT (DRIVERS SIDE) NERF BAR ASSEMBLY.
 - 2.1. LAY NERF BAR ASSEMBLIES (ITEM #1, & 2) ON FLAT SURFACE, AND ATTACH THE MOUNTING BRACKETS (ITEMS #3) TO EACH NERF BAR IN THE LOCATIONS AS SHOWN IN (FIG. 1), USING THE SUPPLIED 3/8-16 X 1 SCREW, 3/8" FLAT WASHER, & 3/8-16 SERRATED FLANGE NUT, (ITEMS #8, 9, & 10). LEAVE THESE FASTENERS FINGER TIGHT AT THIS TIME.
3. EXISTING MOUNTING HOLE PATTERNS ARE LOCATED ON THE INTERIOR WALL OF THE ROCKER PANEL.
 - 3.1. INSERT TWO 5/16-18 MULTI THREAD U-NUTS (ITEMS #6), INTO THE TOP HOLES OF THE FRONT AND REAR PATTERN LOCATIONS, SO THAT THE THREADS ARE TO THE INSIDE OF THE ROCKER PANEL. (THIS IS DONE BY INSERTING THE THREADED HALF OF THE U-NUT THRU THE .75" X 1.50" RECTANGULAR SLOT AND SLIDING THE U-NUT TOWARDS THE ROUND HOLE UNTIL THE U-NUT SEATS IN THE ROUND HOLE).
4. POSITION THE DRIVERS SIDE NERF BAR/BACKET ASSEMBLY UP UNDER THE DRIVERS SIDE ROCKER PANEL SO THE HOLES IN THE MOUNTING BRACKETS LINE UP WITH THE MOUNTING HOLES IN THE PINCH WELD. INSTALL THE 5/16-18 X 1.00" BLACK ZINC BOLTS (ITEMS #11), 5/16 BLACK ZINC WASHER (ITEM #12), 5/16 ZINC FLAT WASHER (ITEM #7) AND THE 5/16-18 SERRATED FLANGE NUTS (ITEM #5). LEAVE FASTENERS FINGER TIGHT AT THIS TIME.
5. ON THE TOP HOLES OF THE BRACKETS, INSTALL THE 5/16-18 X 1.00" HEX HEAD CAP SCREWS (ITEMS #4), AND A 5/16 FLAT WASHER (ITEMS #7), THRU THE MOUNTING BRACKET AND INTO THE U-NUT. (REPEAT STEPS 3 THRU 5 ON PASSENGER SIDE).

NOTE: TORQUE ALL 5/16" FASTENERS TO 11 LB. FT. AND ALL 3/8" FASTENERS TO 33 LB. FT.



(A LUVERNE Company)

1200 E. Birch St.

Brandon, SD 57005

552158 SHEET 1 OF 3 20AUG12

SERVICE PARTS LIST

ITEM	PART NO.	QTY	DESCRIPTION
1	552152	1	NERF BAR WLDMT, LH, 430422
2	552153	1	NERF BAR WLDMT, RH, 430422
1	552154	1	NERF BAR WLDMNT, LH, 430923
2	552155	1	NERF BAR WLDMNT, RH, 430923
3	552151	4	BRACKET MOUNTING, 430422/430923
4	100647	8	SCREW-HEX HD, 5/16-18 X 1.00", ZP
5	102680	8	NUT-SERRATED FLNG, HEX, SST, 5/16-18
6	104264	8	U-NUT, MULTI THREAD, 5/16-18, STL, BLK
7	100034	16	FLAT WASHER, 5/16, ZP
8	106963	8	SCREW-HEX HD, 3/8-16 X 1.00",SST,BZP
9	100062	8	WASHER-FLAT, 3/8, ZP
10	100181	8	FLANGE NUT-HEX, 3/8-16, ZP
11	106997	8	SCR-HHC,5/16-18 X 1.00",SST,BZP
12	106998	8	WSHR-FL,5/16,SST,BZP



(A LIVERNE Company)

1200 E. Birch St.

Brandon, SD 57005

552158 SHEET 2 OF 3 20AUG12

SERVICE PARTS LIST

MODEL NO. - 430422/430923

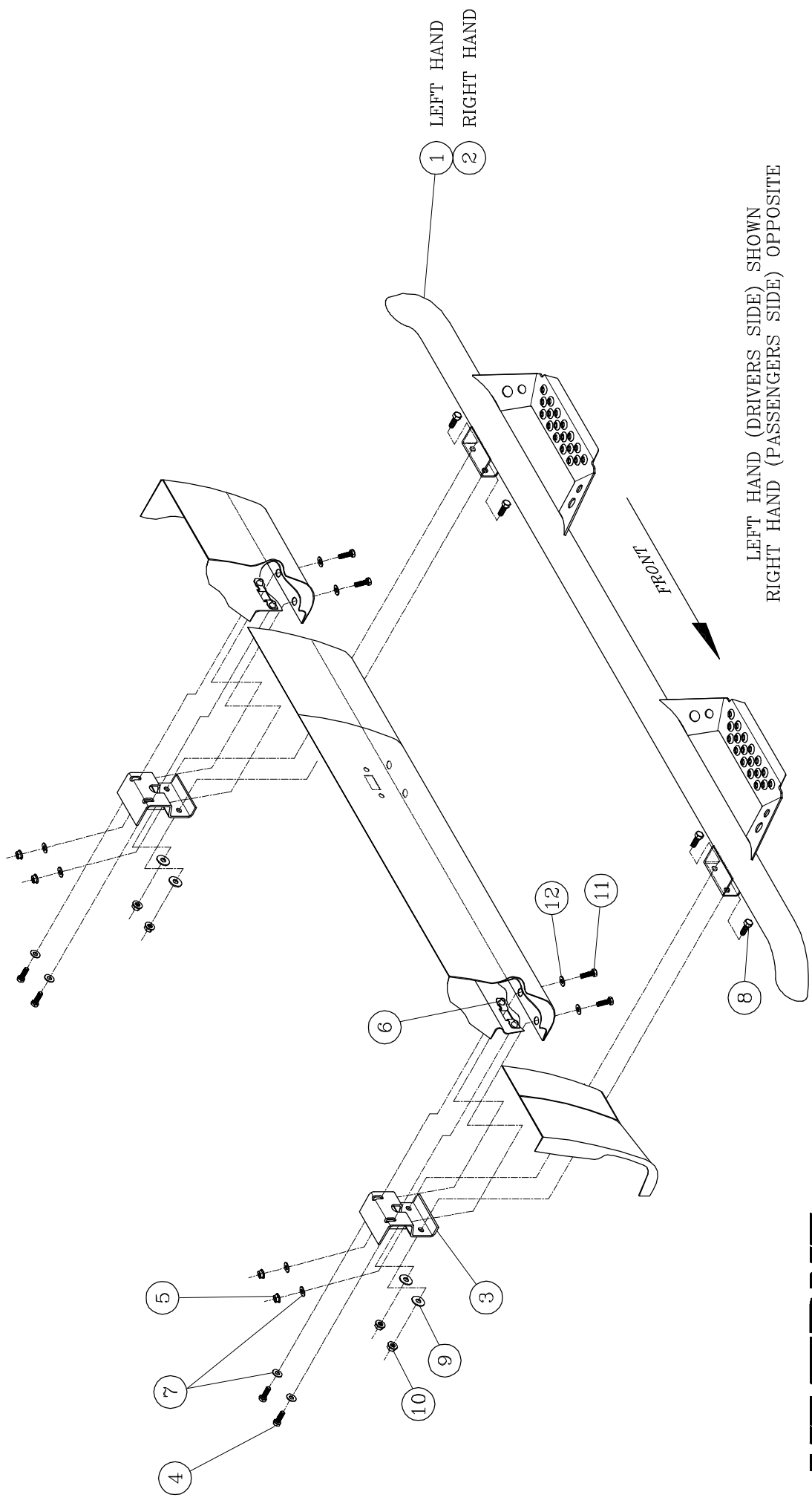


FIG.1