

START HERE

The goods: [4] riv nuts, [4] 5/16" x 2"bolts, [1] riv nut tool

[4] 5/16 split lock washers, [4] Cargo Cleats.

The tools: Drill, 1/2" drill bit, pen, tape measure, 1/2" and 7/8" wrench

BEDSLIDE
GET TO IT.



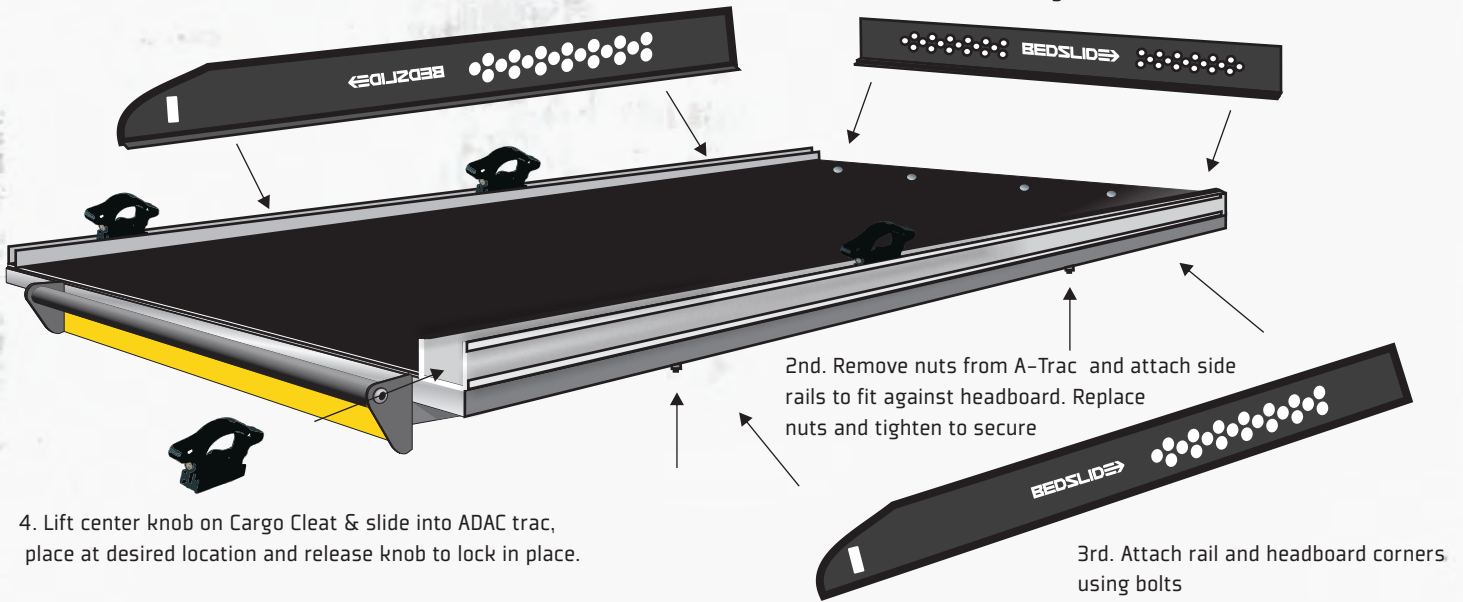
BEDSLIDE
1500 PRO C6
INSTALLATION
INSTRUCTIONS

Follow steps closely and watch for cautions



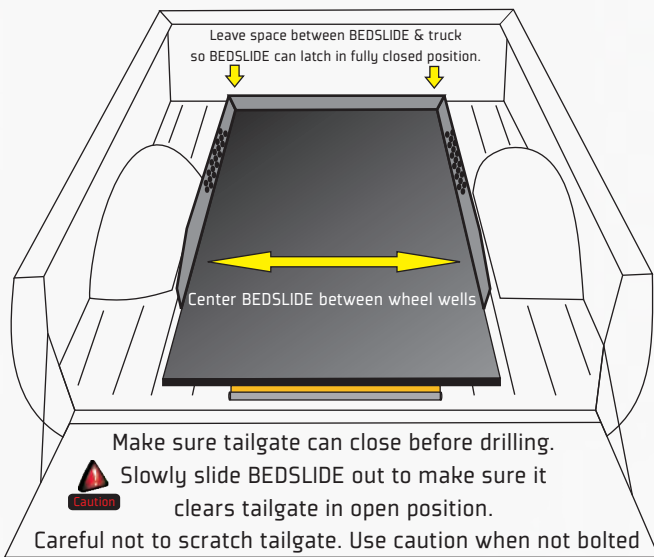
1.

Install side rails



2.

Test fit & center BEDSLIDE

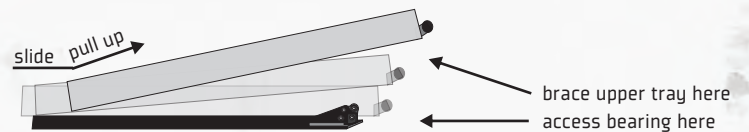


*If BEDSLIDE clears tailgate skip step 2.5

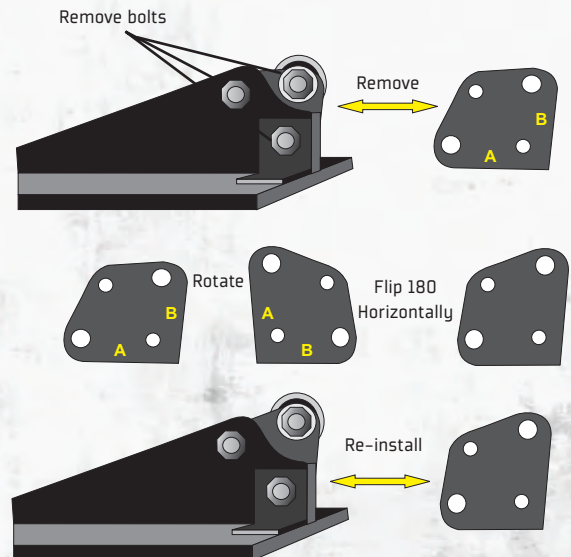
2.5.

If needed, adjust bearing tab to clear tailgate

1st. Open upper tray a few inches and lift up to access the bearing tab.



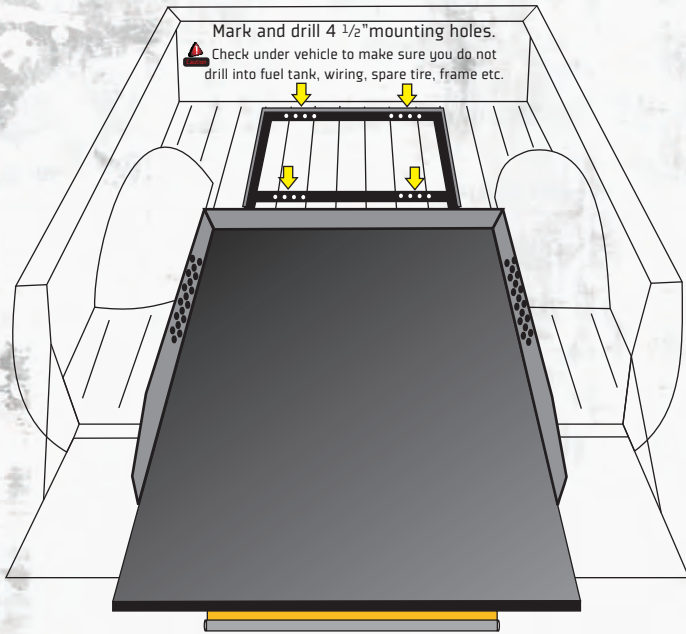
2nd. Rotate bearing tabs to the high position.



Repeat on other side and lower top tray.

3.

Mark and drill mounting holes

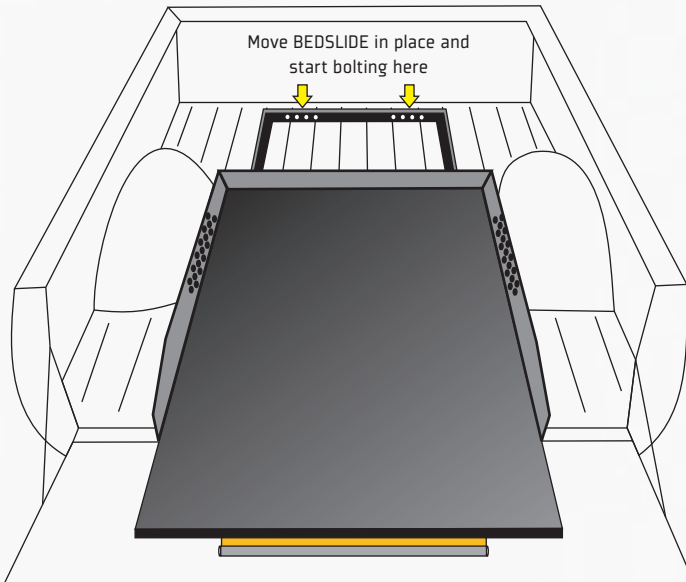


Caution Slowly move upper tray out from closed position and avoid shifting hole placement. Use caution with non-mounted BEDSLIDES.

Caution Use cross member closer to tailgate on long box BEDSLIDES that have 2 center cross members.

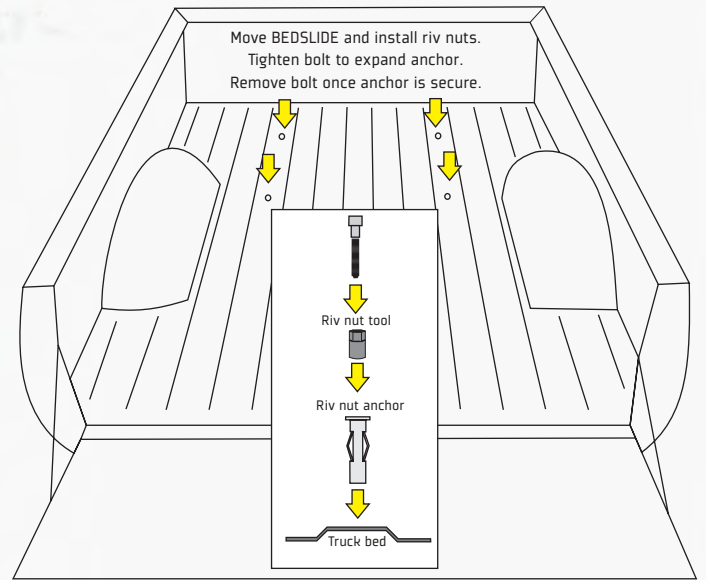
5.

Bolt top cross member in place



4.

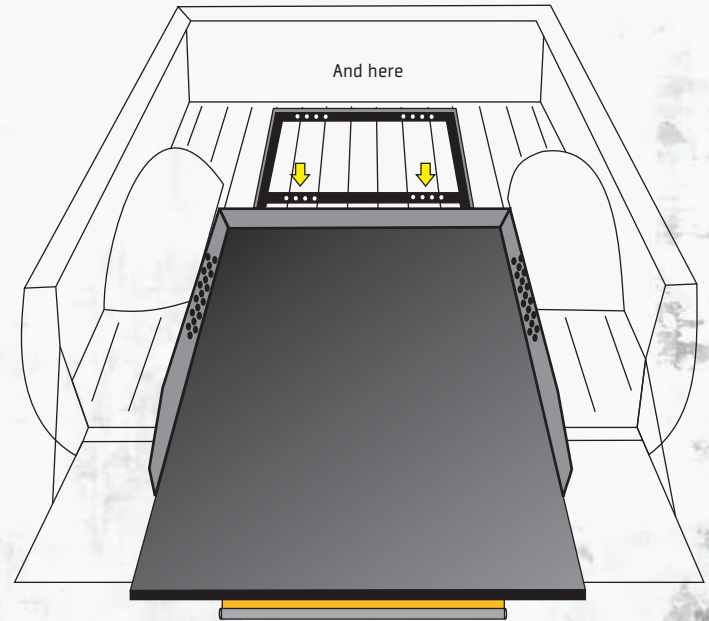
Bolt in riv nut anchors into holes



Caution Do not over tighten. Do not use air impact tools with riv nuts.

6.

Bolt center cross member in place



That's it! Your BEDSLIDE is installed. Now you can GET TO IT like never before.