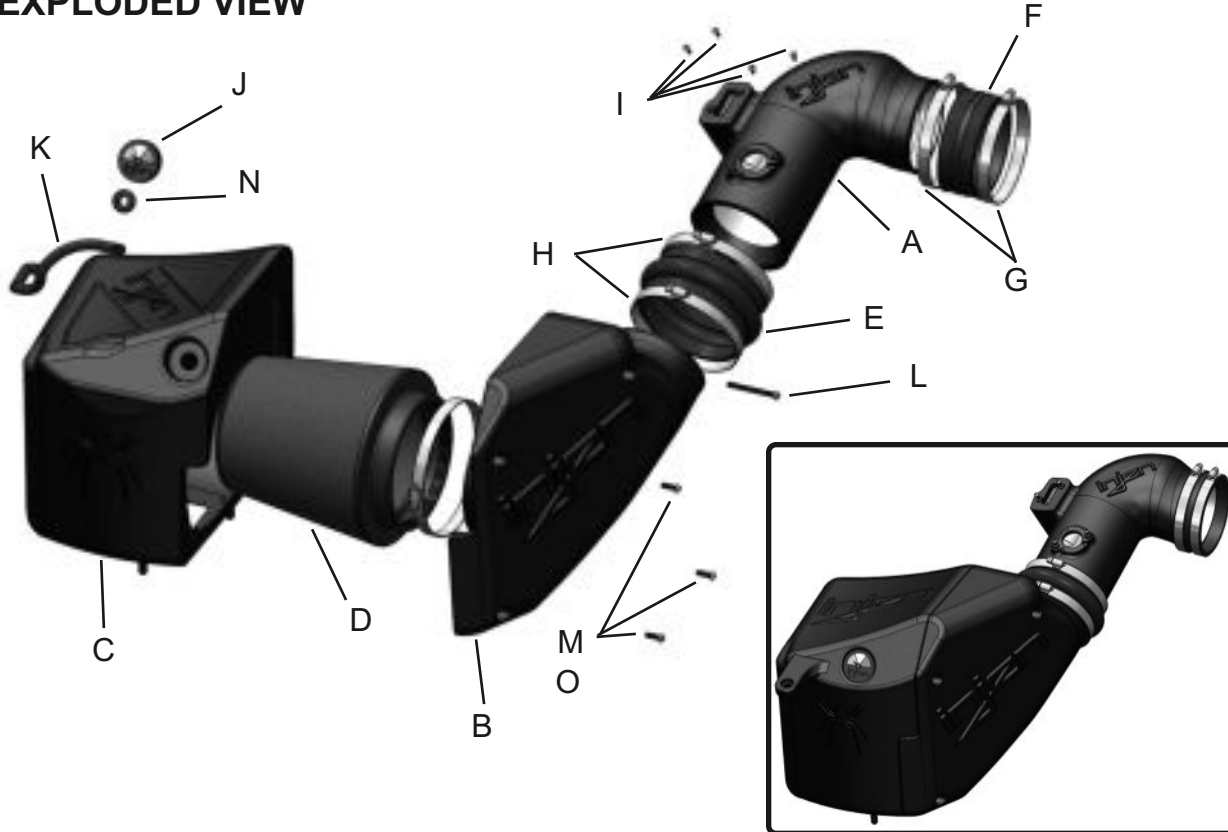




EXPLODED VIEW



Vehicle Application:
 Make: **Chevrolet /GMC**
 Model: **Silverado / Sierra**
2500/3500
 Year: **2015**
 Engine: **6.6L (TD) Duramax LML**

Item	QTY.	P/N	Discription
A	1	#15054	Rotomold Tube
B	1	#15055	Rotomold Plenum
C	1	#15076	Rotomold Box
D	1	#1068	6.00" Filter
E	1	#3201	5.00" Hump Hose
F	1	#3163	4.25"- 4.50" Straight Hose
G	2	#4014	#72 Clamps
H	2	#4019	#80 Clamps
I	4	#6047	M4X10mm Button Head Bolts
J	1	#15040	Filter Minder
K	1	#3198	3mm-16" Vacuum Hose
L	1	#6095	M6X80mm Bolt
M	3	#6096	M6x30mm bolt
N	1	#8026	Grommet
O	4	#8047	1/2"OD rubber seal washer

TOOLS REQUIRED

- 10mm Ratchet & Socket
- 8mm nut drive
- Allen key
- Flat Blade Screwdriver
- Philllips Screwdriver

WARNING: FAILURE TO FOLLOW INSTALLATION INSTRUCTIONS AND NOT USING THE PROVIDED HARDWARE MAY DAMAGE THE INTAKE SYSTEM, ENGINE AND COMPONENTS!!!
***Do not attempt to install the intake system while the engine is hot.**
 Severe burn could result from touching hot engine components!

Report any defective or missing parts to the authorized Injen dealer you purchased this product from. Before installing any parts of this system, please read the instructions thoroughly. If you have any questions regarding installation, please contact your Injen Technology dealer. Installation DOES require some mechanical skills. A qualified mechanic is always recommended.

A Limited Lifetime Warranty to the original purchaser against defects in material and workmanship on all Injen intake systems excluding the filter element. Any and all warranty coverage is limited to the repair or replacement of the defective part only, at Injen Technology's discretion. The warranty does not cover incidental or consequential damages, nor does it cover the cost of installation or removal of the defective part or its replacement. Proof of purchase is required.